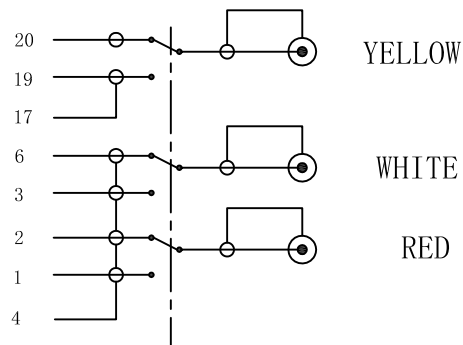


Configuration : the switch is on IN



NOTES:

1. TESTING: 100% OPEN AND SHORT AND MISWIRE TEST.
2. ALL MATERIAL BE RoHS COMPLIANT.

④	TAG	1PCS	DELTACO TAG
③	RCA M	3PCS	NICKEL PLATED
②	21PIN SCART M	1PCS	CRIMPING TYP,BLACK INSULATION,NICKEL PLATED CONTACTS AND SHELL(WITHE SWITCH)
①	CABLE	1PCS	(28AWG BC + 28AWG BC)*3C+BLACK PVC JACKET OD:7.0mm±0.2mm
NO.	PARTS NAME	Q'TY	SPFCIFICATION

APPROVED	CHECKED	DRAWN	CUSTOMER:	
			ITEM NO.	DEL-129-K
			DRAW NO.	
			UNIT	mm
			SCALE	NONE

DESCRIPTION:
SCART 21 PIN/M-3RCA/M WITH SWITCH

