



## 254 mm (10") Wall Mounting Cabinets



✓ 1.1 - 1.5 mm strong steel sheet

✓ Safety class IP20

✓ available as 6U and 9U version

✓ compact enclosure

### Abstract

254 mm (10") Wall Mounting Cabinets, 6U or 9U - 312x300 mm, color grey (RAL 7035)

### Features

- Safety class rating IP20
- Lockable safety glass front door, 1-point-locking
- 200° door opening angle
- 254 mm (10") profile rails mounted on the front side inside of the cabinet, galvanized
- 254 mm (10") profile rails are adjustable in depth
- Max. equipment mounting depth: approx. 260 mm
- Load capacity of 254 mm (10") profile rails: 30 kg
- Cable entry with brush strip on the top and with plastic cover on the base
- Ventilation slots for active and passive ventilation and exhausting
- Incl. installation set (screws, cage nuts, washers)
- Cabinet is completely mounted

### Product Overview

The 254 mm (10") wall mounting cabinets are made of a robust steel sheet construction.

Cable entry openings on top and base side provide the best possibilities for cable management

in a compact area. With its overall compact design this enclosure is ideal for current IT and telecommunication applications, especially in narrow areas or private households.

### Product Number Information

Item code	Height unit (U)	Product dimensions (HxWxD) in mm
DN-10-05U-1	6U	330 x 312 x 300 mm
DN-10-06U-4	6U	330 x 312 x 400 mm
DN-10-09U	9U	464 x 312 x 300 mm

### Logistic Data

Item code	Packaging dimensions (HxWxD) in mm	Net weight in kg	Gross weight in kg
DN-10-05U-1	400 x 350 x 360 mm	5.5 kg	6.5 kg
DN-10-06U-4	375 x 355 x 440 mm	6.2 kg	7.2 kg
DN-10-09U	540 x 350 x 360 mm	7.0 kg	8.5 kg

**Product Images**

**6U**

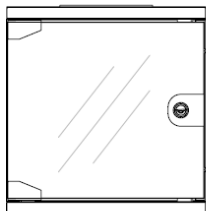


**9U**

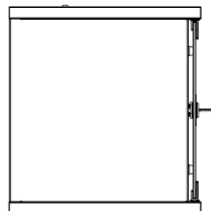


**Technical Drawings**

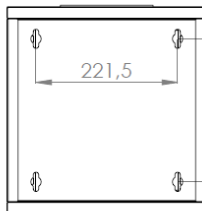
**DN-10-05U-1**



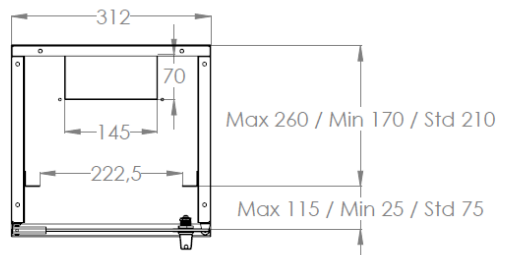
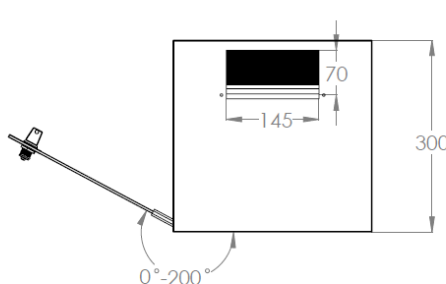
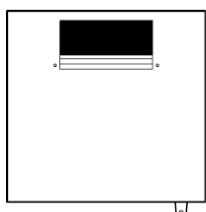
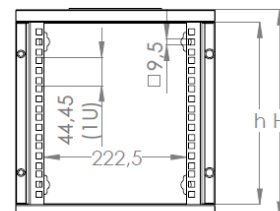
FRONT VIEW



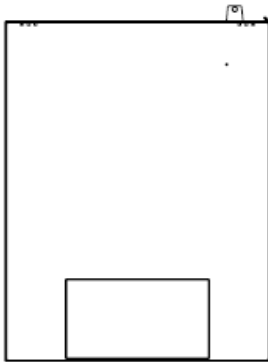
SIDE VIEW



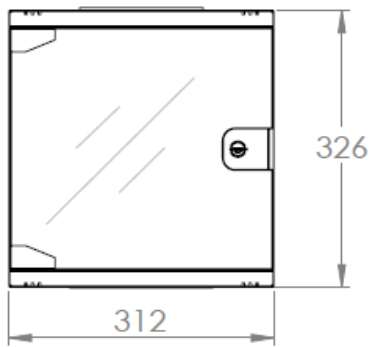
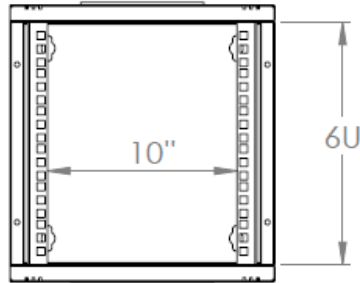
REAR VIEW



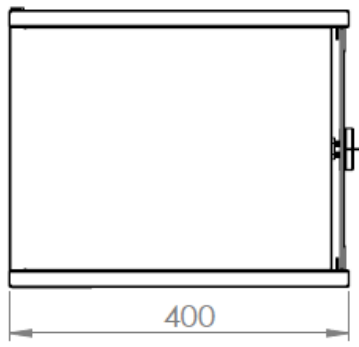
**DN-10-06U-4**



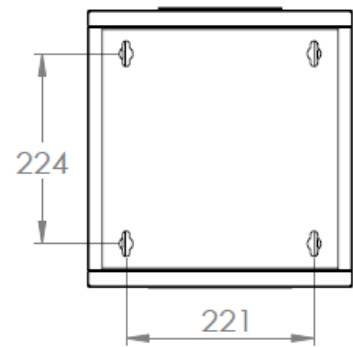
**BOTTOM VIEW**



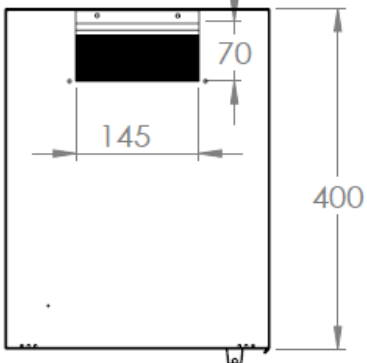
**FRONT VIEW**



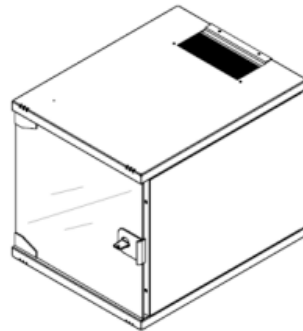
**SIDE VIEW**



**REAR VIEW**

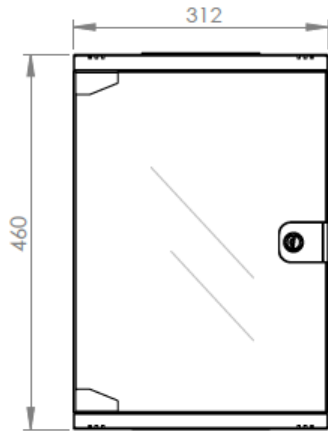


**TOP VIEW**

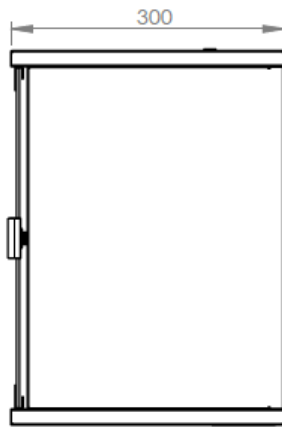


**ISOMETRIC VIEW**

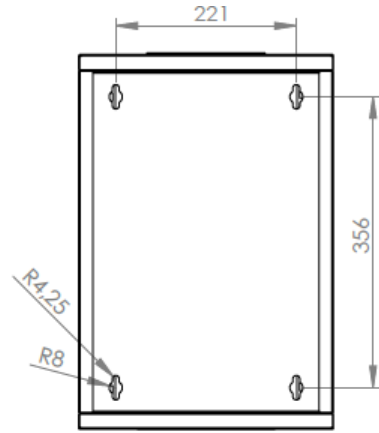
**DN-10-09U**



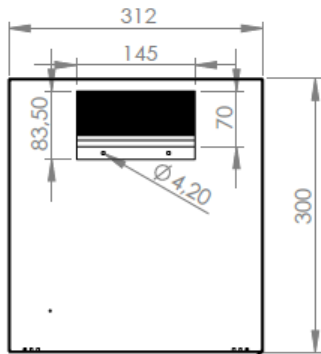
FRONT VIEW



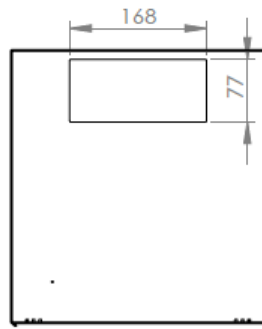
SIDE VIEW



REAR VIEW



TOP VIEW



BOTTOM VIEW