

Calisto 5300 Speakerphone

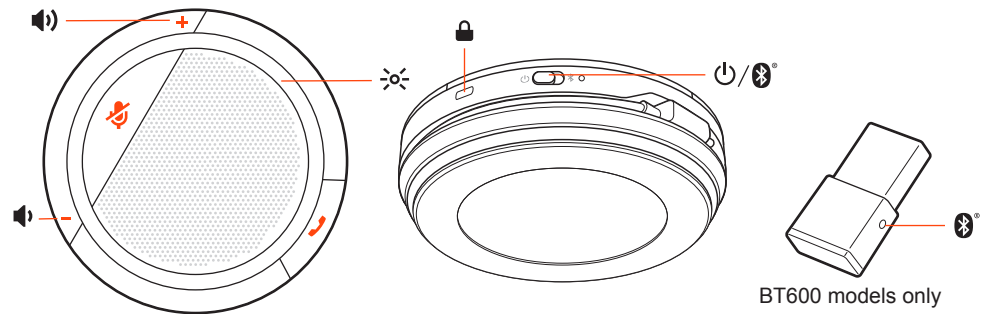
User Guide

Contents

Controls and status lights	3
Setup	4
Mobile setup	4
Corded setup	4
USB adapter setup (BT600 models only)	4
Load software	5
Charge	6
Check battery status	6
Charge	6
Daily Use	7
Power	7
Answer or End a call	7
Place a call on hold	7
Mute/Unmute	7
Volume	7
Support	8

Controls and status lights

A corded, portable speakerphone with mobile connectivity.

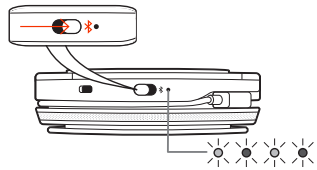


Icon	LEDs	Function
Volume buttons	Sequential white lights	Volume increase/decrease
Mute button		
LED	Solid white	Power on
	Solid red	Microphone muted
Call button	Flashing green	Incoming call
	Solid red	In a call
Kensington lock port		
Power/	Red/blue flashes	Battery status
Bluetooth switch	Red/blue flashes	Bluetooth pair mode
Bluetooth button	Red/blue flashes	Bluetooth USB adapter pair mode

Setup

Mobile setup

- 1 To pair your mobile device with your speakerphone, slide the Power switch towards the Bluetooth icon to the right for 2 seconds. You hear "pairing" and the LED next to the Bluetooth icon flashes red and blue.



- 2 Activate Bluetooth on your phone and set it to search for new devices, select **Poly CL5300 Series**.
- 3 Pairing is successful when you hear "pairing successful" and the LED goes out.

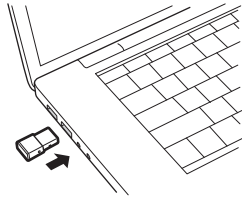
Corded setup

Connect the USB cable from the USB port on the speakerphone to the USB port on your computer.

USB adapter setup (BT600 models only)

Your Bluetooth USB adapter comes pre-paired to your speakerphone.

- 1 Turn on your speakerphone and insert the Bluetooth USB adapter into your computer.

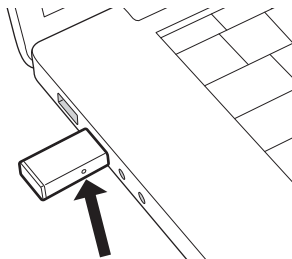


- 2 Pairing is successful when you hear "pairing successful" and the USB adapter turns solid blue.
NOTE Adapter design may vary.

Pair USB adapter again

Your USB adapter is pre-paired to your speakerphone. In the event that your adapter is disconnected or bought separately, manually pair the adapter to your headset.

- 1 Insert the Bluetooth USB adapter into your laptop or computer and wait for your computer to recognize it.
- 2 Put your speakerphone in pair mode by sliding the Power switch towards the Bluetooth icon to the right for 2 seconds. You hear "pairing" and the LED next to the Bluetooth icon flashes red and blue.
- 3 Put your adapter into pair mode by pressing and holding the recessed pair button with a pen or paperclip until the adapter flashes red and blue.



NOTE Adapter design may vary

Pairing is successful when you hear "pairing successful; PC connected" and the adapter LED turns solid blue.

Load software

Download Plantronics Hub for Windows and Mac by visiting plantronics.com/software. This allows you to customize your device behavior through advanced settings and options.

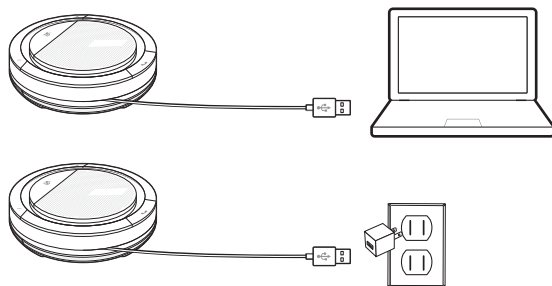
Charge

Check battery status

To check the battery status of your speakerphone, slide the power button to the right and release.

Charge

Charge the speakerphone via USB using your computer or a USB AC adapter (not provided). The Power switch LED flashes while charging and turns off when fully charged. Allow 3.5 hours for a full charge.



Daily Use

Power

Slide the Power button to the right to power on. The speakerphone LED illuminates white and you hear "power on."



Answer or End a call

A short press of the Call button answers or ends a call.

Place a call on hold

To place a call on hold, press the Call button for 2 seconds.

Mute/Unmute

A short press of the Mute button mutes or unmutes the microphones.

Volume

Press the up (+) or down (-) volume buttons for the desired volume.

Support

NEED MORE HELP?

plantronics.com/support

Plantronics, Inc.

345 Encinal Street
Santa Cruz, CA 95060
United States

Plantronics B.V.

Scorpius 171
2132 LR Hoofddorp
Netherlands

© 2020 Plantronics, Inc. All rights reserved. Poly, the propeller design, and the Poly logo are trademarks of Plantronics, Inc. All other trademarks are the property of their respective owners.

216075-06 02.20