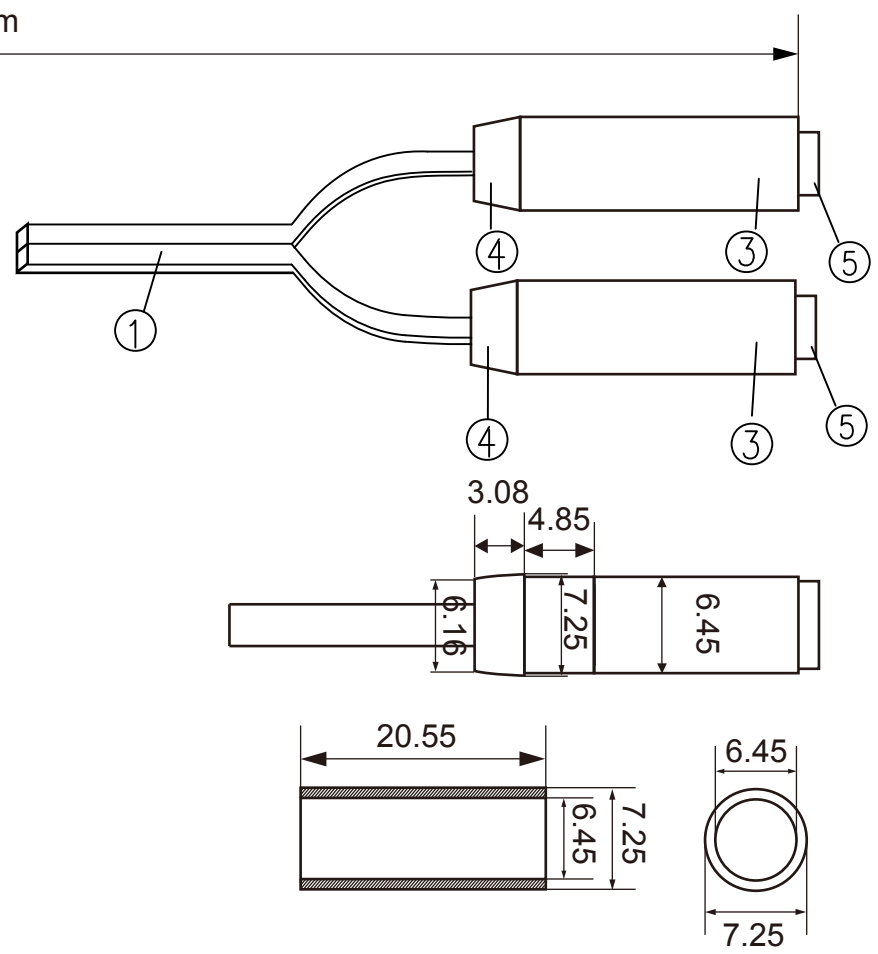
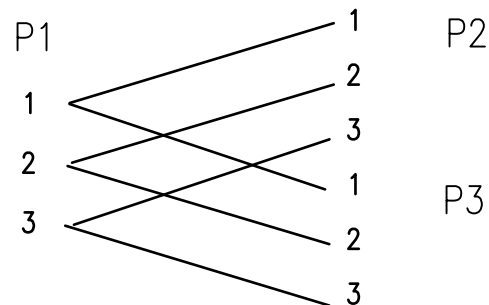


PIN OUT



⑤	3.5mm FEMALE	2PCS	GOLD PLATED SHELL
④	HOOD MOLD	3PCS	WHITE PVC
③	BRASS HOOD	3PCS	BLACK NICKEL PLATED
②	3.5mm MALE	1PCS	GOLD PLATED SHELL
①	CABLE	2PCS	30AWG*4P+WHITE TPE JACKET FLAT CABLE OD:1.2x3.5mm
NO.	PARTS NAMF	Q'TY	SPFCIFICATION

NOTES:
 1. TESTING: 100% OPEN AND SHORT TEST.
 2. ALL MATERIAL BE RoHS COMPLIANT.

APPROVED	CHECKED	DRAWN	CUSTOMER:	
			ITEM NO.	AUD-206
			DRAW NO.	
			UNIT	mm
			SCALE	NONE

DESCRIPTION:
 3.5mm /M----2x3.5mm/F

