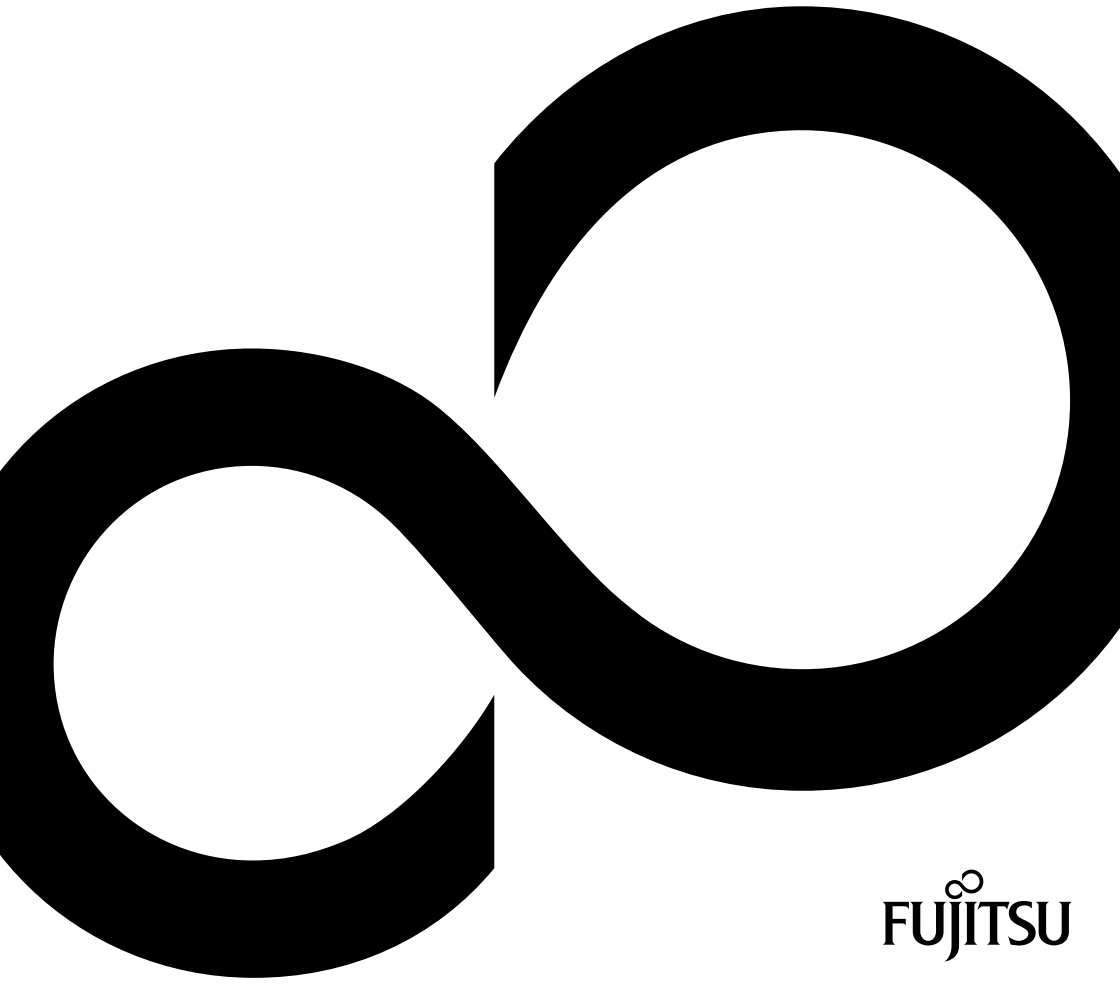


CELSIUS W410



Congratulations, you have decided to buy an innovative Fujitsu product.

The latest information about our products, useful tips, updates etc. is available on our website: ["http://ts.fujitsu.com"](http://ts.fujitsu.com)

For automatic driver updates, go to:
["http://support.ts.fujitsu.com/com/support/index.html"](http://support.ts.fujitsu.com/com/support/index.html)

Should you have any technical questions, please contact:

- our Hotline/Service Desk (see the Service Desk list or visit: ["http://ts.fujitsu.com/support/servicedesk.html"](http://ts.fujitsu.com/support/servicedesk.html))
- Your sales partner
- Your sales office

We hope you really enjoy using your new Fujitsu system.



Copyright

Fujitsu Technology Solutions 2011 05/11

Published by

Fujitsu Technology Solutions GmbH
Mies-van-der-Rohe-Straße 8
80807 Munich, Germany

Contact

<http://ts.fujitsu.com/support>

All rights reserved, including intellectual property rights. Technical data subject to modifications and delivery subject to availability. Any liability that the data and illustrations are complete, actual or correct is excluded. Designations may be trademarks and/or copyrights of the respective manufacturer, the use of which by third parties for their own purposes may infringe the rights of such owner. You will find more information at "http://ts.fujitsu.com/terms_of_use.html"

Order No. Fujitsu Technology Solutions GmbH: A26361-K1358-Z320-1-7619, edition 2

CELSIUS W410

Operating Manual

Your CELSIUS...	5
Ports and operating elements	7
Important notes	9
Getting started	12
Operation	21
Troubleshooting and tips	28
System expansions	33
Technical data	55
Index	56

CELSIUS is a registered trademark of Fujitsu Technology Solutions GmbH.

Windows 7, Windows Vista and Windows XP are registered trademarks of Microsoft Corporation.

PS/2 is a registered trademark of International Business Machines, Inc.

Pentium is a registered trademark of Intel Corporation, USA.

Kensington and MicroSaver are registered trademarks of ACCO World Corporation.

All other trademarks referenced are trademarks or registered trademarks of their respective owners, whose protected rights are acknowledged.

Copyright © Fujitsu Technology Solutions GmbH 2011

All rights reserved, including rights of translation, reproduction by printing, copying or similar methods, either in part or in whole.

Noncompliance is subject to compensation for damages.

All rights reserved, including rights created by patent grant or registration of a utility model or design.

Subject to availability and technical modifications.

Contents

Your CELSIUS...	5
Notational conventions	6
Ports and operating elements	7
Front	7
Rear	8
Important notes	9
Safety information	9
Transporting the device	9
Cleaning the device	10
Energy saving, disposal and recycling	10
CE marking	10
FCC Compliance Statement	11
FCC Class B Compliance Statement	11
Getting started	12
Unpacking and checking the delivery	12
Steps for initial setup	12
Setting up the device	13
Connecting the machine to the mains	13
Connecting external devices	14
Cable connecting	14
Disconnecting cables	14
Ports on the device	15
Connecting a monitor	16
Connecting the mouse	16
Connecting the keyboard	17
Connecting external devices to the parallel (optional) or serial port	18
Connecting external devices to the USB ports	18
Switching on for the first time: installing the software	19
Switching on monitor and device	19
Installing the software	20
Operation	21
Switch the device on	21
Switching off the device	21
Indicators on the device	22
Keyboard	23
Important keys and keyboard shortcuts	23
Settings in BIOS Setup	24
Property and data protection	24
Anti-theft protection and lead-sealing	25
Mechanical casing lock (optional)	26
BIOS setup security functions	27
Access authorisation via SmartCard	27
Operating the SmartCard reader (optional)	27
Troubleshooting and tips	28
Help if problems occur	28
Troubleshooting	28
Power-on indicator remains unlit after you have switched on your device	28

The device cannot be switched off with the ON/OFF switch. 29

Monitor remains blank 29

No mouse pointer displayed on the screen 31

Time and/or date is not correct 31

Error messages on the screen 31

. 31

Installing new software 32

Restoring the hard disk contents 32

Tips 32

System expansions 33

Information about boards 34

Opening the casing 35

Closing the casing 36

Overview of the drive bays and drives in your device 36

Installing and removing the accessible 5 1/4 inch drive 37

 Fitting the drive cover for the 5 1/4 inch drive 37

 Installing an accessible drive 38

 Removing an accessible drive 39

Installing/removing the SmartCard reader and/or WLAN module (optional, 3 1/2-Zoll) 40

 Removing the module holder 40

 Screwing the WLAN module onto the module holder 41

 Screwing the SmartCard reader onto the module holder 41

 Installing the module holder with SmartCard reader and/or WLAN module 42

 Removing the module holder with SmartCard reader and/or WLAN module 43

 Removing the SmartCard reader from the module holder 44

 Removing the WLAN module from the module holder 44

Removing and installing the memory card reader (optional, 3 1/2 inch, MultiCard) 44

 Installing the memory card reader 45

 Removing the memory card reader 45

Installing and removing the hard disk drive 46

 Installing a hard disk drive 47

 Removing the hard disk drive 48

Installing and removing a board 49

 Installing a board 49

 Removing a board 51

Installing and removing heat sinks 52

 Removing the heat sink 52

 Installing the heat sink 53

Mainboard expansions 53

 Upgrading main memory 53

 Replacing the processor 53

 Exchanging the lithium battery 54

Technical data 55

Index 56

Your CELSIUS...

... is available with various configuration levels which differ in terms of hardware and software equipment. You can install accessible drives (for example a DVD drive) and other modules.

This manual tells you how to start using your device and how to operate it in daily use. This manual applies for all configuration levels. Depending on the chosen configuration level, some of the hardware components described may not be available on your PC. Please also read the notes about your operating system.

Depending on the configuration selected, the operating system is preinstalled on your hard disk (e.g. Windows 7).

Further information on this device is also provided:






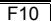
- in the "Getting Started" poster
- in the "Safety/regulations" manual
- in the "Warranty" manual
- in the operating manual for the monitor
- in the manual for the mainboard
- in the documentation for your operating system
- in the information files (e.g. *.PDF, *.HTML, *.DOC, *.CHM, *.TXT, *.HLP)



Some of the manuals listed can be found in electronic form on the "Drivers & Utilities" DVD.

You can access and view the required information using the *Acrobat Reader* program, which is also included on the DVD. If necessary, you can also print out the manuals.

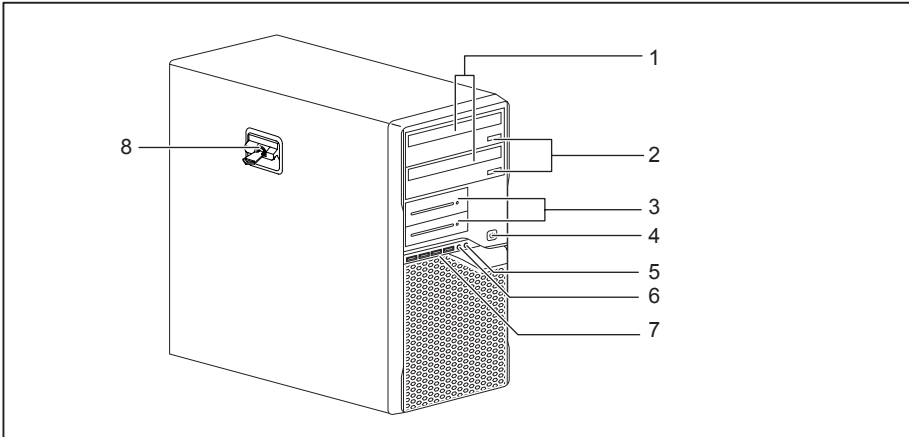
Notational conventions

	Pay particular attention to text marked with this symbol. Failure to observe these warnings could pose a risk to health, damage the device or lead to loss of data. The warranty will be invalidated if the device becomes defective through failure to observe these warnings.
	Indicates important information for the proper use of the device.
	Indicates an activity that must be performed
	Indicates a result
This font	indicates data entered using the keyboard in a program dialogue or at the command line, e.g. your password (Name123) or a command used to start a program (start.exe)
This font	indicates information that is displayed on the screen by a program, e.g.: Installation is complete.
<i>This font</i>	indicates <ul style="list-style-type: none"> terms and texts used in a software interface, e.g.: Click on <i>Save</i> names of programs or files, e.g. <i>Windows</i> or <i>setup.exe</i>.
"This font"	indicates <ul style="list-style-type: none"> cross-references to another section, e.g. "Safety information" cross-references to an external source, e.g. a web address: For more information, go to "http://ts.fujitsu.com" Names of CDs, DVDs and titles or designations for other materials, e.g.: "CD/DVD Drivers & Utilities" or "Safety/Regulations" manual
	indicates a key on the keyboard, e.g: 
This font	indicates terms and texts that are emphasised or highlighted, e.g.: Do not switch off the device

Ports and operating elements

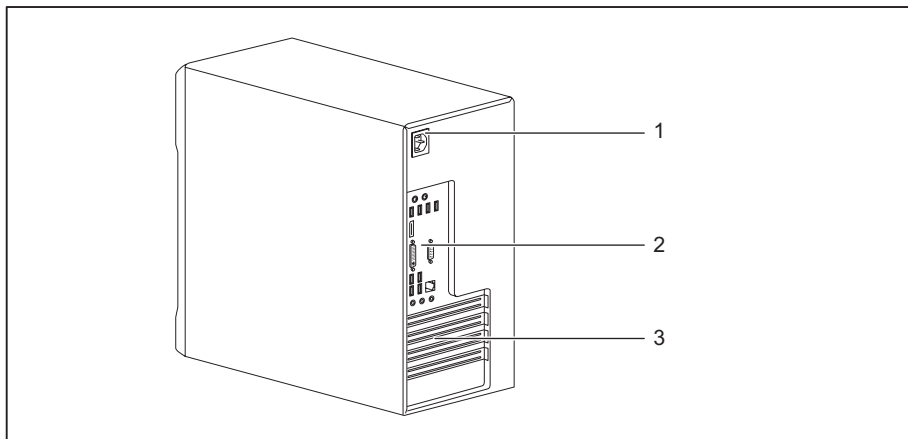
This chapter presents the individual hardware components of your device. This will provide you with an overview of the ports and operating elements on the device. Please familiarise yourself with these components before starting to work with your device.

Front



- | | |
|--|-------------------------------------|
| 1 = Module bay for 5 ¹ / ₄ inch drives | 5 = Headphone port |
| 2 = Insert/eject button (CD/DVD) (optional) | 6 = Microphone jack |
| 3 = Module bay for 3 ¹ / ₂ inch drives | 7 = USB ports |
| 4 = ON/OFF switch | 8 = Latch with optional casing lock |

Rear



1 = Alternating voltage socket (AC IN)

3 = Slot covers

2 = Ports for external devices

Important notes

In this chapter you will find information regarding safety which it is essential to take note of when working with your device.

Safety information



Please note the information provided in the "Safety/regulations" manual and in the following safety notes.

When installing and operating the device, please observe the notes on environmental conditions in Chapter ["Technical data", Page 55](#) as well as the instructions in Chapter ["Getting started", Page 12](#).

When setting up the device, make sure there is clearance all around it so that the casing receives enough ventilation. In order to avoid overheating, do not cover the ventilation areas of the monitor or the device.

You must only operate the device if the rated voltage used by the device is set to the local mains voltage.

The main switch (if present) and the ON/OFF switch do not disconnect the device from the mains voltage. To completely disconnect from the mains voltage, remove the power plug from the power socket.

Replace the lithium battery on the mainboard in accordance with the instructions in ["Exchanging the lithium battery", Page 54](#).

Caution, components in the system can get very hot.

The activities described in these instructions must always be performed with the greatest care.

Repairs to the device must only be performed by qualified technicians. Incorrect repairs could put the user at great risk or cause serious damage to the equipment (electric shock, risk of fire).

Transporting the device



Transport all parts separately in their original packaging or in a packaging which protects them from knocks and jolts, to the new site.

Do not unpack them until all transportation manoeuvres are completed.

If the device is brought from a cold environment into the room where it will be used, condensation may occur. Before operating the device, wait until it is absolutely dry and has reached approximately the same temperature as the installation site.

Cleaning the device



Turn off all power and equipment switches and disconnect the power plug from the mains outlet.

Do not clean any interior parts yourself, leave this job to a service technician.

Do not use any cleaning agents that contain abrasives or may corrode plastic (alcohol, thinner or acetone).

Never clean the device with water! Water entering into the device could present a serious risk to users (e.g. electric shock).

Ensure that no liquid enters the system.

The surface can be cleaned with a dry cloth. If particularly dirty, use a cloth that has been moistened in mild domestic detergent and then carefully wrung out.

Use disinfectant wipes to clean the keyboard and the mouse.

Energy saving, disposal and recycling

Further information can be found on the "Drivers & Utilities" DVD.

CE marking



The shipped version of this device complies with the requirements of EEC directives 2004/108/EC "Electromagnetic compatibility" and 2006/95/EC "Low voltage directive".



CE marking for devices with radio component

This equipment complies with the requirements of Directive 1999/5/EC of the European Parliament and Commission from 9 March, 1999 governing Radio and Telecommunications Equipment and mutual recognition of conformity.

This equipment can be used in the following countries:

Belgium	Bulgaria	Denmark	Germany
Estonia	Finland	France	Greece
UK	Ireland	Iceland	Italy
Latvia	Liechtenstein	Lithuania	Luxembourg
Malta	Netherlands	Norway	Austria
Poland	Portugal	Rumania	Sweden
Switzerland	Slovakia	Slovenia	Spain
Czech Republic	Hungary	Cyprus	

Contact the corresponding government office in the respective country for current information on possible operating restrictions. If your country is not included in the list, then please contact the corresponding supervisory authority as to whether the use of this product is permitted in your country.

FCC Compliance Statement

If the device complies with the FCC regulations, the FCC sign can be found on the type rating plate.

FCC Class B Compliance Statement

The following statement applies to the products covered in this manual, unless otherwise specified herein. The statement for other products will appear in the accompanying documentation.

NOTE:

This equipment has been tested and found to comply with the limits for a "Class B" digital device, pursuant to Part 15 of the FCC rules and meets all requirements of the Canadian Interference-Causing Equipment Standard ICES-003 for digital apparatus. These limits are designed to provide reasonable protection against harmful interference in a residential installation. This equipment generates, uses and can radiate radio frequency energy and, if not installed and used in strict accordance with the instructions, may cause harmful interference to radio communications. However, there is no guarantee that interference will not occur in a particular installation. If this equipment does cause harmful interference to radio or television reception, which can be determined by turning the equipment off and on, the user is encouraged to try to correct the interference by one or more of the following measures:

- Reorient or relocate the receiving antenna.
- Increase the separation between equipment and the receiver.
- Connect the equipment into an outlet on a circuit different from that to which the receiver is connected.
- Consult the dealer or an experienced radio/TV technician for help.

Fujitsu Technology Solutions GmbH is not responsible for any radio or television interference caused by unauthorized modifications of this equipment or the substitution or attachment of connecting cables and equipment other than those specified by Fujitsu Technology Solutions GmbH. The correction of interferences caused by such unauthorized modification, substitution or attachment will be the responsibility of the user.

The use of shielded I/O cables is required when connecting this equipment to any and all optional peripheral or host devices. Failure to do so may violate FCC and ICES rules.

Getting started



Please observe the safety information in the ["Important notes", Page 9](#) chapter.

Unpacking and checking the delivery

It is recommended not to throw away the original packaging material! It may be required for reshipment at some later date.

- ▶ Unpack all the individual parts.
- ▶ Check the contents of the package for any visible damage caused during transport.
- ▶ Check whether the delivery conforms to the details in the delivery note.
- ▶ Should you discover that the delivery does not correspond to the delivery note, notify your local sales outlet immediately.

Steps for initial setup

Only a few steps are necessary to put your new device into operation for the first time:

- Select a location for device and set up device
- Connecting external devices
- Check the voltage at the mains outlet and connect the device to an electrical outlet
- Switch the device on

You will learn more about the individual steps in the following sections.

External devices



If you have received other external devices in addition to your own device (e.g. a printer), do not connect these until after the initial installation. The following sections describe how to connect these external devices.

Drives and boards



If you have received drives or boards with your device, please do not install them until after first-time setup. How to install drives and boards is described in the ["System expansions", Page 33](#) chapter.

Setting up the device



When installing your device, please read the recommendations and safety notes in the "Safety/regulations" manual.

We recommend that you place your device on a surface which is not slippery. In view of the many different finishes and varnishes used on furniture, it is possible that the rubber feet will mark the surface they stand on.

Depending on the location of your device, troublesome vibrations and noises may occur. To prevent this, a distance of at least 10 mm should be maintained from other devices on casing sides without ventilation surfaces.

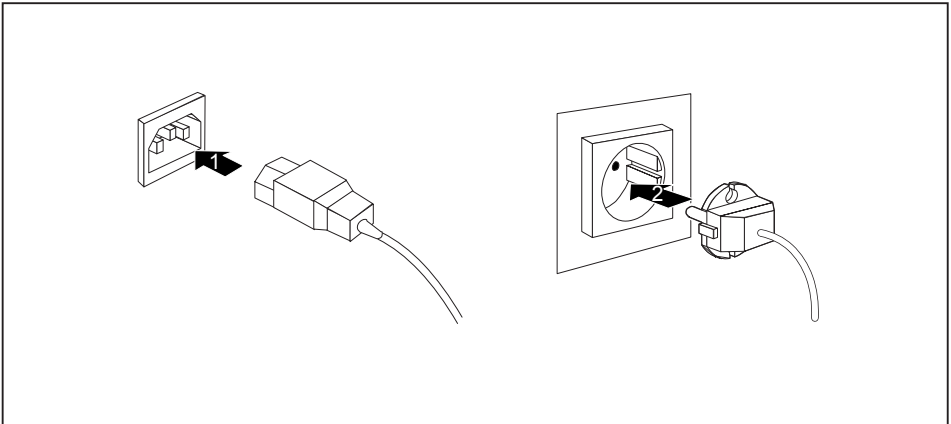
In order to avoid overheating, do not cover the ventilation areas of the monitor or the device.

A minimum distance of 20 mm from the device must be observed for ventilation areas.

Do not stack several devices on top of each other.

Do not expose the device to extreme ambient conditions (see ["Technical data", Page 55](#), section "Ambient conditions"). Protect the device against dust, humidity and heat.

Connecting the machine to the mains



- ▶ Connect the mains cable to the machine (1).
- ▶ Plug the mains plug into a three-pin socket (2).

Connecting external devices



Read the documentation on the external device before connecting it.

With the exception of USB devices, always remove all power plugs before connecting external devices!

Do not connect or disconnect cables during a thunderstorm.

Always take hold of the actual plug when disconnecting a cable. Never pull the cable!

Connect and disconnect the cables in the order described below.

Cable connecting

- ▶ Switch off all affected devices.
- ▶ Remove power plugs from the mains outlets for all devices.
- ▶ Plug all cables into the device and peripherals. Please make sure that you always observe the safety notes provided in ["Important notes", Page 9](#).
- ▶ Plug all data communication cables into the sockets provided for the data / telecommunication networks.
- ▶ Plug all power cables into the grounded mains outlets.



USB devices are hot-pluggable. This means you can connect and disconnect USB cables while your device is switched on.

















Additional information can be found in ["Connecting external devices to the USB ports", Page 18](#) and in the documentation for the USB devices.

Disconnecting cables

- ▶ Switch off all affected devices.
- ▶ Remove power plugs from the mains outlets for all devices.
- ▶ Unplug all data communication cables from the utility sockets.
- ▶ Unplug all cables from the device and peripherals.

Ports on the device

The ports are located on the front and back of the device. The ports available on your device depend on the configuration level you have selected. The standard ports are marked with the symbols shown below (or similar). Detailed information on the location of the connections is provided in the manual for the mainboard.

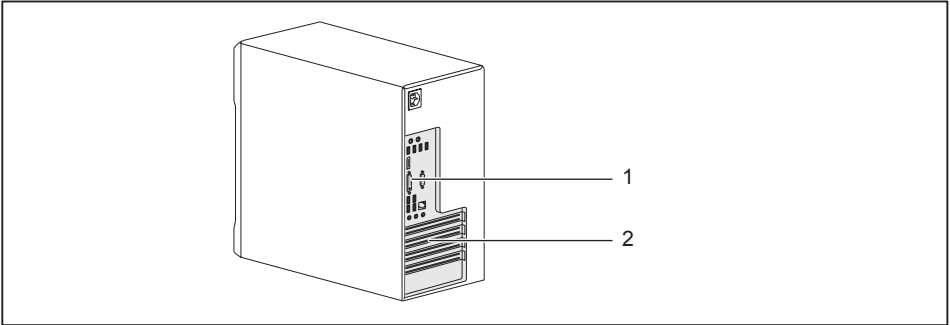
	PS/2 keyboard port, purple		Parallel port/printer (optional)
	Serial port 1, turquoise		Serial port 2, turquoise
	VGA monitor connection, blue		Microphone port, pink (back of device) or black (front of device)
	Headphones, light green (back of device) or black (front of device)		Audio input (Line in), light blue
	Audio output (Line out), light green		PS/2 mouse port, green
	USB - Universal Serial Bus, black		LAN port
	FireWire port		SCSI connection
	DVI-I monitor port		DisplayPort



Some of the connected devices require special software (e.g. drivers) (refer to the documentation for the connected device and operating system).

Connecting a monitor

Depending on requirements, you can use the monitor ports of the mainboard (1) or the monitor ports of an optional display adapter in one of the board slots (2) to connect a monitor to your device.



1 = Mainboard monitor ports

2 = Monitor ports of the display adapter

- ▶ Follow the instructions contained in the monitor manual to prepare the monitor for operation (e.g. connecting cables).
- ▶ Connect the data cable to a suitable monitor port of the device (VGA, DVI-I, DisplayPort).
- ▶ Plug the monitor power cable into the grounded mains outlet.

Connecting the mouse

Depending on the equipment level selected, your device will be supplied with a USB mouse or a PS/2 mouse.

Connecting a USB mouse

- ▶ Connect the USB mouse to one of the USB ports on the device.

Connecting a PS/2 mouse



The PS/2 mouse is only detected by the device if you connect the mouse when the device is switched off and then switch the device on again.

- ▶ Switch your device off.



If you do not attach a mouse to the PS/2 mouse port, you can disable the mouse controller in the *BIOS Setup* in order to free the IRQ12 for a different application.

- ▶ Connect the PS/2 mouse to the PS/2 mouse port of the device.
- ▶ Switch your device on again.

Connecting the keyboard

Depending on the equipment level selected, your device will be supplied with a USB keyboard or a PS/2 keyboard.

Connecting a USB keyboard

Use the supplied keyboard cable only.

- ▶ Plug the rectangular connector of the keyboard cable into the rectangular socket on the underside or on the rear of the keyboard.
- ▶ Insert the flat rectangular USB plug of the keyboard cable into one of the device's USB ports.

Connecting a PS/2 keyboard

Use the supplied keyboard cable only.



The PS/2 keyboard is only detected by the device if you connect the keyboard when the device is switched off and then switch the device on again.

- ▶ Switch your device off.
- ▶ Plug the rectangular connector of the keyboard cable into the rectangular socket on the underside or on the rear of the keyboard.
- ▶ Plug the round plug of the keyboard cable into the keyboard port on the device.
- ▶ Switch your device on again.

Connecting external devices to the parallel (optional) or serial port

External devices can be connected to the parallel or serial port (e.g. a printer or a modem).

- ▶ Connect the data cable to the external device.
- ▶ Depending on the device, connect the data cable to the parallel port or the serial port.



For an exact description of how to connect external devices to the corresponding port, please refer to the documentation of the external device.

Port settings



You can change the port settings (e.g. address, interrupt) in the *BIOS Setup*.

Device drivers



The devices connected to the parallel or serial port require drivers. Your operating system already includes many drivers. If the required drive is missing, install it. Current drivers are usually available on the Internet or will be supplied on a data carrier.

Connecting external devices to the USB ports

You can connect a wide range of external devices to the USB ports (e.g. printer, scanner, modem or keyboard).



USB devices are hot-pluggable. This means you can connect and disconnect USB cables while your device is switched on.

Additional information can be found in the documentation for the USB devices.

- ▶ Connect the data cable to the external device.
- ▶ Connect the data cable to one of the USB ports on your device.

Device drivers



The external USB devices you connect to the USB ports usually require no driver of their own, as the required software is already included in the operating system. However, if the external USB device requires its own software, please install it from the data carrier provided with the USB device.

To ensure the transmission capacity of USB 2.0, the cable from the external USB device to the USB port of your device must not be longer than 3 m.

Switching on for the first time: installing the software



Once the installation has been started the device must not be switched off, unless the installation has been completed.

During installation, the device may only be rebooted when you are requested to do so!

The installation will otherwise not be carried out correctly and the contents of the hard disk must be completely restored.



If the device is integrated into a network, the user and server details as well as the network protocol are required during the software installation.

Contact your network administrator if you have any questions about these settings.

When you switch on the device for the first time, the supplied software is installed and configured. Plan a reasonable amount of time for this, as this process must not be interrupted.

You may need the licence number for Windows during the installation. The licence number is located on a sticker on your device.

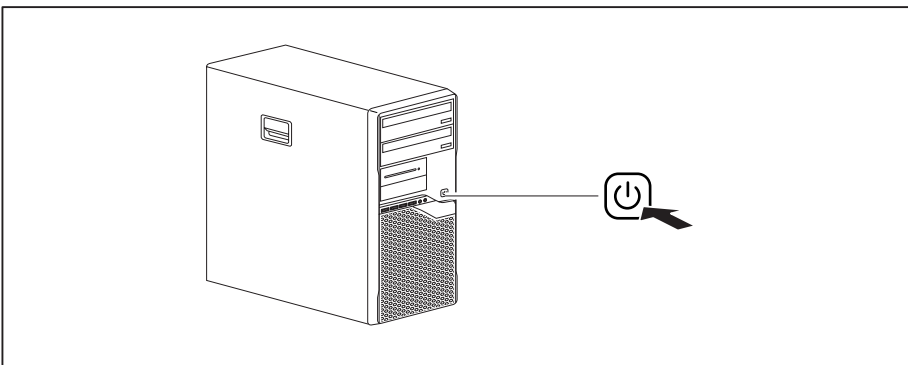
Switching on monitor and device



In order to avoid overheating, do not cover the ventilation areas of the monitor or the device, see ["Setting up the device", Page 13](#).

- ▶ Switch the monitor on (see the operating manual for the monitor).
- ▶ Switch the device on. To do this, follow the instructions below.

Switching on the device



- ▶ Press the ON/OFF switch on the front of the device.
- ↳ The ON/OFF switch and the illumination strip light up white and the device starts up.

Installing the software

- ▶ During installation, follow the on-screen instructions.
- ▶ If anything is unclear regarding the data you are asked to input, read the online Help in your operating system.



You will find more information on the system, as well as drivers, utilities and updates on the "Drivers & Utilities" DVD and on the Internet under ["http://ts.fujitsu.com/support/"](http://ts.fujitsu.com/support/).

Operation

Switch the device on

- ▶ If necessary, switch the monitor on (see the operating manual for the monitor).
- ▶ Press the ON/OFF switch on the front of the device.
- ↳ The power-on indicator glows white and the device is started.

Switching off the device

- ▶ Shut down the operating system in a defined manner. In Windows: via the *Start* menu and the *Turn Off Computer* function.

or

- ▶ Briefly press the ON/OFF switch.
- ▶ If the operating system does not automatically switch the device into energy-saving mode or switch it off, press the ON/OFF switch until the device switches off. Warning, this could lead to a loss of data!
- ↳ If the device is switched off, the device consumes a minimum of energy.

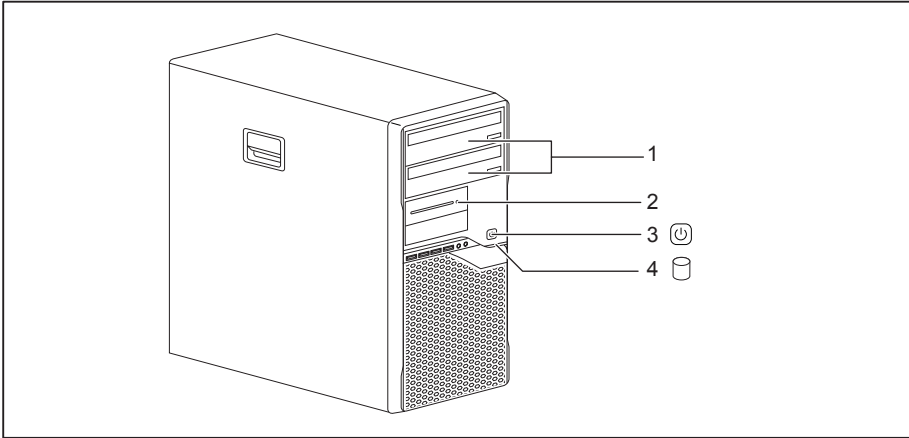


The ON/OFF switch does not disconnect the device from the mains voltage. To completely disconnect the mains voltage, remove the power plug from the power socket.

- ▶ If necessary, switch the monitor off (see the operating manual for the monitor).

Indicators on the device

The indicators are on the front of the casing. Which indicators are available on your device depends on the configuration level you have selected.



No.	indicator	Description
1	Drive indicators	The indicator lights up when the CD-ROM or DVD drive of the device is accessed. You must never under any circumstances remove the CD/DVD while the indicator is lit.
2	Indicator for optional components, e.g. SmartCard reader	The indicator lights up when the optional component, e.g. the SmartCard reader, is accessed.
3	Power-on indicator	<p>Caution: In energy-saving mode the device must not be switched off with the main power switch (if present) or disconnected from the mains, as this may result in data loss.</p> <ul style="list-style-type: none"> The indicator lights up white: The device is switched on. The indicator flashes white (depending on device type): The device is in energy-saving mode. After being switched on with the ON/OFF switch, the device powers up or returns to the state it was in before it entered energy-saving mode. The indicator is not illuminated: The device is switched off (disconnected from the mains). If the device is ready it can be switched on with the ON/OFF switch.
4	Hard disk indicator	The indicator lights up blue when the hard disk drive of the device is accessed.

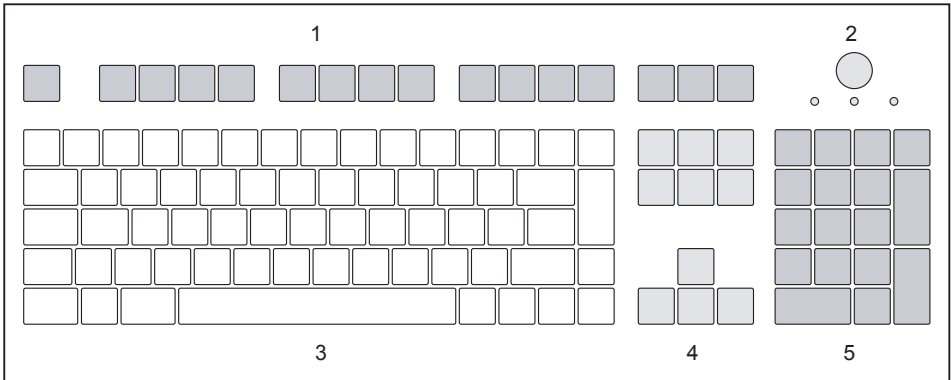


During operation, an optical light guide also lights up above the USB and audio ports on the front of the device.

Keyboard



The illustrated keyboard is an example and may differ from the model you use.



1 = Function keys

4 = Cursor keys

2 = On/off switch (optional)

5 = Numeric keypad (calculator keypad)

3 = Alphanumeric keypad

Important keys and keyboard shortcuts

The description of the following keys and keyboard shortcuts applies to Microsoft operating systems. Details of other keys and keyboard shortcuts can be found in the documentation for the relevant application program.



On/off switch (optional)

Depending on the setting in the *BIOS Setup*, the device can be switched on or off with this switch. Some operating systems allow you to configure additional functions of the ON/OFF switch in the Control Panel.

With some keyboards the ON/OFF switch can only be used with an ACPI (Advanced Configuration and Power Management Interface). Otherwise the key is inoperative. The mainboard must support this function.

Enter key

confirms the highlighted selection. The Enter key is also referred to as the "Return" key.





Start key

calls up the Windows *Start* menu.



Menu key

calls up the menu for the marked item (Windows).



Shift key

enables upper-case letters and the upper key symbols to be displayed.



Alt Gr key

produces a character shown on the bottom right of a key (e.g. the @ sign on the [Q] key).



Num Lock key

By pressing the Num Lock key you switch between the upper- and lower-case levels of the calculator keypad.

When the Num Lock indicator is lit the numeric keypad and arithmetic keys are active.

When the Num Lock indicator is not lit the cursor control functions on the Numeric keypad are active.



Ctrl key

performs a special operation when pressed in conjunction with another key. The [Ctrl] key is also referred to as "Control" or the "Control key".



Windows security/Task-Manager

This key combination starts the window Windows Security / Task Manager.

Settings in BIOS Setup

In *BIOS Setup*, you can set the system functions and the hardware configuration of the device. When the PC is delivered, the default entries are valid (see "BIOS Setup" manual or manual for the mainboard). You can customise these settings to your requirements in the *BIOS Setup*.

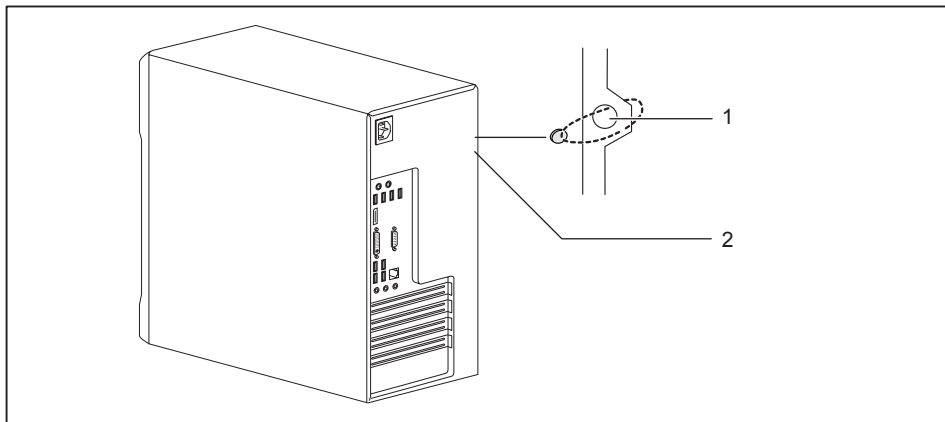
Property and data protection

Software functions and mechanical locking offer a broad range of functions for protecting your device and your personal data from unauthorised access. You can also combine these functions.



The following illustrations may differ slightly from your device, depending on its configuration level.

Anti-theft protection and lead-sealing



1 = Holes for padlock

2 = Fixture for Kensington Lock

Anti-theft protection

You can protect your device from theft

- with the holes (1) and a padlock and chain which you have connected to a fixed object beforehand.
- with the fixture for the Kensington Lock (2) and a Kensington MicroSaver.
Consult the manual for your Kensington Lock.

Lead-sealing

To prevent unauthorised persons from opening the casing, the casing can be lead-sealed. To do this, feed the sealing chain through the holes (1) and seal the chain with the lead seal.

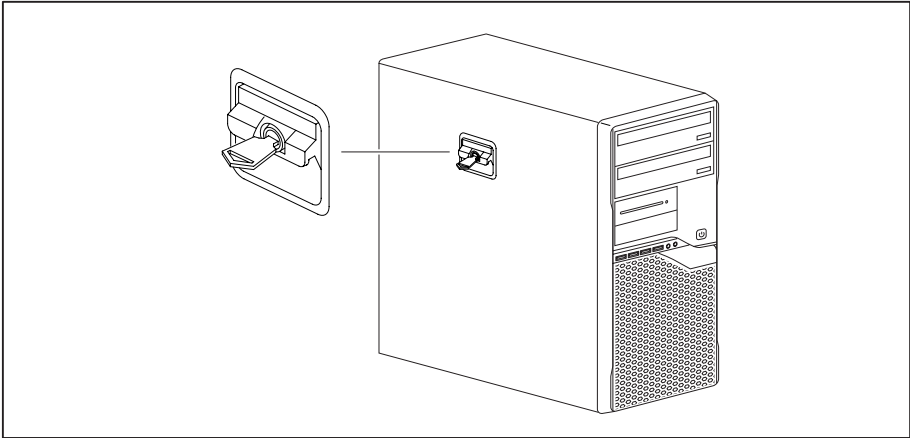
Mechanical casing lock (optional)

With the casing lock you can mechanically lock the casing to prohibit unauthorised persons from opening it. The keys can be found on the rear panel of your device.



In addition to the casing lock, an open and a closed lock are also illustrated.

- Key turned towards the closed lock: The device is locked.
- Key turned towards the open lock: The device is unlocked.



Locking the casing

- ▶ Turn the key towards the closed lock.

Unlocking the casing

- ▶ Turn the key towards the open lock.

BIOS setup security functions

The *Security* menu in *BIOS Setup* offers you various options for protecting your personal data against unauthorized access, e.g.:

- Prevent unauthorized access to *BIOS Setup*
- Prevent unauthorised system access
- Prevent unauthorised access to the settings of boards with their own BIOS
- Activate virus warnings
- Protect BIOS from overwriting
- Protect the device from being switched on by an external device

You can also combine these functions.

You will find a detailed description of the *Security* menus and how to assign passwords in the manual for the mainboard or in the "BIOS Setup" manual.

Access authorisation via SmartCard

In systems equipped with a SmartCard reader, access can be restricted to those users who have a corresponding SmartCard.

Operating the SmartCard reader (optional)

- ▶ Connect the external SmartCard reader to your system as described in the instructions for the SmartCard reader.
- ↳ After the device is switched on, you will be prompted to insert your SmartCard.

Troubleshooting and tips



Refer to the safety notes in the "Safety/regulations" manual and in the ["Getting started", Page 12](#) chapter when connecting or disconnecting cables.

If a fault occurs, try to correct it as described in the following documentation:

- in this chapter
- in the documentation for the connected devices
- in the help systems of the software used
- in the documentation for your operating system

Help if problems occur

Should you encounter a problem with your computer that you cannot resolve yourself:

- ▶ Note the ID number of your device. The ID number is found on the type rating plate on the back or underside of the casing.
- ▶ For further clarification of the problem, contact the Help Desk for your country (see the Help Desk list or visit the Internet at ["http://ts.fujitsu.com/support/service desk.html"](http://ts.fujitsu.com/support/service desk.html)). When you do this, please have ready the ID number and serial number of your system.

Troubleshooting

Power-on indicator remains unlit after you have switched on your device

Cause	Troubleshooting
The mains voltage supply is faulty.	<ul style="list-style-type: none">▶ Check whether the power cable is plugged properly into the device and a grounded mains outlet.▶ Switch the device on.
Internal power supply overloaded.	<ul style="list-style-type: none">▶ Pull the power plug of the device out of the mains outlet.▶ Wait for a moment.▶ Plug the power plug into a properly grounded mains outlet again.▶ Switch the device on.

The device cannot be switched off with the ON/OFF switch.

Cause	Remedy
The device has not been switched on with the ON/OFF switch.	▶ Press the ON/OFF switch again.
System crash	<p>▶ Keep the on/off switch pressed for at least 4 seconds until the machine switches off.</p> <p>Caution: This can lead to a loss of data!</p> <p>This procedure does not allow the operating system to shut down in an orderly way. The next time the system is started there may well be error messages.</p>

Monitor remains blank

Cause	Remedy
Monitor is switched off.	▶ Switch your monitor on.
Power saving has been activated (screen is blank)	<p>▶ Press any key on the keyboard.</p> <p>or</p> <p>▶ Deactivate the screen saver. If necessary, enter the appropriate password.</p>
Brightness control is set to dark	▶ Adjust the brightness control. For detailed information, please refer to the operating manual supplied with your monitor.
Power cable not connected	<p>▶ Switch off the monitor and the device.</p> <p>▶ Check that the monitor power cable is properly connected to the monitor and to a grounded mains outlet or to the monitor socket of the device.</p> <p>▶ Check that the device power cable is properly plugged into the device and a grounded mains outlet.</p> <p>▶ Switch on the monitor and the device.</p>
Monitor cable not connected	<p>▶ Switch off the monitor and the device.</p> <p>▶ Check that the monitor cable is properly connected to the device and monitor.</p> <p>▶ Switch on the monitor and the device.</p>

Cause	Remedy
Wrong monitor has been set under Window XP	<ul style="list-style-type: none"> ▶ Restart the device. ▶ Press [F8] while the system is booting. <p>Either the <i>Windows Advanced Start Options</i> menu or the menu for selecting the operating system appears.</p> <ul style="list-style-type: none"> ▶ If the menu for selecting the operating system appears, press [F8]. ▶ Select <i>Safe Mode</i> or <i>Safe Mode with Network</i>. ▶ Go to <i>Start – Settings – Control Panel – Display</i> and the tabs <i>Appearance, Themes, Settings</i> to set the correct values for the connected monitor as described in the operating manual of the monitor.
Incorrect setting for the monitor in Windows Vista	<ul style="list-style-type: none"> ▶ Restart the device. ▶ Press [F8] while the system is booting. <p>Either the <i>Windows Advanced Start Options</i> menu or the menu for selecting the operating system will appear.</p> <ul style="list-style-type: none"> ▶ If the menu for selecting the operating system appears, press the [F8] key. ▶ Select <i>Safe Mode</i> or <i>Safe Mode with Network</i>. ▶ Go to <i>Start symbol – (Settings) – Control Panel – Appearance and Personalization – Personalization</i> and enter the correct values for the connected monitor as described in the operating manual of the monitor.
Wrong monitor has been set under Windows 7	<ul style="list-style-type: none"> ▶ Restart the device. ▶ Press [F8] while the system is booting. <p>Either the <i>Windows Advanced Start Options</i> menu or the menu for selecting the operating system appears.</p> <ul style="list-style-type: none"> ▶ If the menu for selecting the operating system appears, press [F8]. ▶ Select <i>Safe Mode</i> or <i>Safe Mode with Network</i>. ▶ Go to <i>Start – Control Panel – Appearance and Personalization – Display</i> to enter the correct values for the connected monitor as described in the operating manual of the monitor.
The wrong RAM modules have been inserted	<ul style="list-style-type: none"> ▶ See the technical manual for the mainboard for information on which memory modules can be used.

No mouse pointer displayed on the screen

Cause	Remedy
The mouse is not correctly connected.	<ul style="list-style-type: none"> ▶ Shut down the operating system properly. ▶ Switch the device off. ▶ Check that the mouse cable is properly connected to the system unit. If you use an adapter or extension lead with the mouse cable, check the connections. ▶ Make sure that only one mouse is connected. ▶ Switch the device on.
The mouse controller is not enabled.	<ul style="list-style-type: none"> ▶ Check in the <i>BIOS-Setup</i> whether the mouse controller is <i>enabled</i>. ▶ Check that the mouse driver is properly installed and is present when the application programme is started. Detailed information can be found in the user guide for the mouse and application programme.

Time and/or date is not correct

Cause	Remedy
Time and date are incorrect.	<ul style="list-style-type: none"> ▶ Set the correct time and date within the operating system you are using. <p style="text-align: center;">or</p> <ul style="list-style-type: none"> ▶ Set the correct time and/or date in the <i>BIOS Setup</i>.
The lithium battery is discharged.	<ul style="list-style-type: none"> ▶ If the time and date are repeatedly wrong when you switch on your device, replace the lithium battery (see "Exchanging the lithium battery", Page 54).

Error messages on the screen

Error messages and their explanations are provided:

- in the technical manual for the mainboard
- in the documentation for the programs used

Installing new software

When installing programs or drivers, important files may be overwritten and modified. To be able to access the original data in the event of any problems following installation, you should backup your hard disk prior to installation.

Restoring the hard disk contents

The instructions on how to restore the content of the hard disk drive under Windows 7 can be found in the "Recovery Guide" manual.

Tips

Topic	Tip
Lack of system resources	<ul style="list-style-type: none">▶ Close unnecessary applications. <p>or</p> <ul style="list-style-type: none">▶ Run the applications in a different order.
Other manuals	Further manuals are provided as PDF files on the "Drivers & Utilities" DVD.

System expansions



Repairs to the device must only be performed by qualified technicians. Incorrect repairs may greatly endanger the user (electric shock, fire risk) and will invalidate your warranty.

After consulting the Hotline/Help Desk, you may remove and install the components described in this manual yourself.



As the device has to be shut down in order to install/deinstall system hardware components, it is a good idea to print out the relevant sections of this chapter beforehand.

The following illustrations may differ slightly from your device, depending on its configuration level.

If further documentation was delivered with your device, please also read this through carefully.

In addition, before removing or installing system components, please pay attention to the following:



The device must be switched off when installing/removing the system expansions and may not be in energy-saving mode.

Remove the power plug before opening the device.

Be careful that no wires become trapped when removing or installing components.

When installing components that become very hot, make sure that the maximum permissible temperature of the components in operation is not exceeded.



An update of the BIOS may be required for a system expansion or hardware upgrade. Further information can be found in the BIOS help section or if necessary in the Technical Manual for the mainboard.

Information about boards

Take care with the locking mechanisms (catches and centring pins) when you are replacing boards or components on boards.

Note that some components on the mainboard may be very hot if the device was in use shortly before the casing was removed.

To prevent damage to the board or the components and conductors on it, please take care when you insert or remove boards. Make sure expansion boards are inserted straightly.

Never use sharp objects (screwdrivers) for leverage.



Boards with electrostatic sensitive devices (ESD) are identifiable by the label shown.

When handling boards fitted with ESDs, you must always observe the following points:

- You must always discharge static build up (e.g. by touching a grounded object) before working.
- The equipment and tools you use must be free of static charges.
- Only touch or hold the boards by the edge or, if present, at the areas marked green (Touch Points).
- Never touch pins or conductors on boards fitted with ESDs.

Opening the casing

- ▶ Switch the device off. The device must not be in power-saving mode.

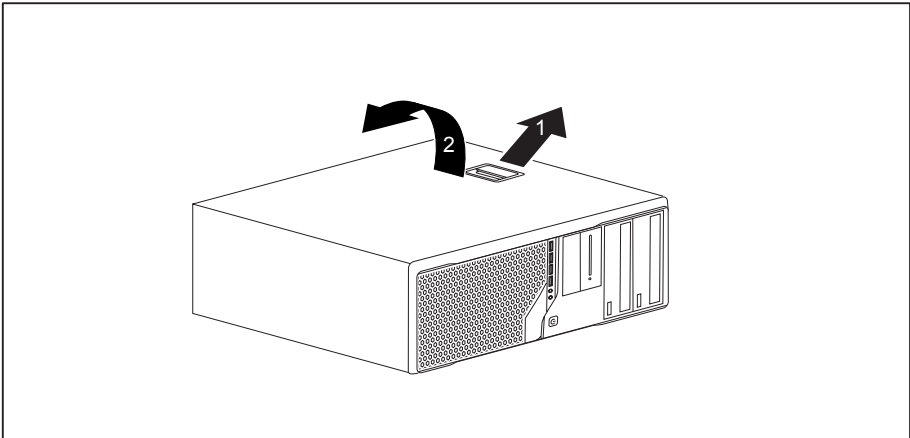


Please observe the safety information in ["Important notes", Page 9.](#)

Disconnect the mains plug from the mains outlet.

Only insert the power plug after you have closed the casing.

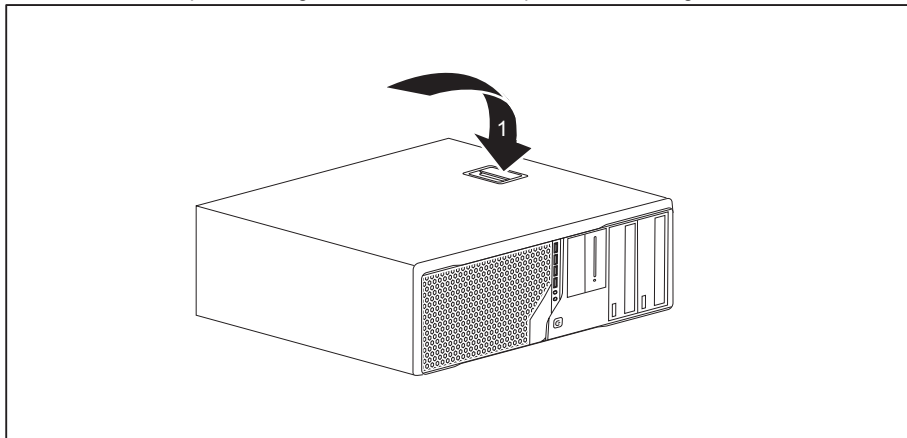
- ▶ Remove any connected wires which are in the way.
- ▶ On devices with a casing lock: Unlock the casing.
- ▶ Lay the device on its side in the manner shown.



- ▶ Pull the locking device (1) and swivel the side part in the direction of the arrow (2).

Closing the casing

- ▶ Insert the side part in the guide rail on the lower part of the casing.



- ▶ Swivel the side cover in the direction of the arrow (1) until it engages.
- ▶ On devices with a casing lock: Lock the casing.
- ▶ Reconnect the cables that you disconnected before.

Overview of the drive bays and drives in your device

The casing has space for several accessible and non-accessible drives:

- two drive bays for accessible 5¹/₄ inch drives
- two drive bays for components in 3¹/₂ inch format
- four drive bays for non-accessible 3¹/₂ inch drives (hard disks, of which two are optionally provided in an optional hard disk cage)
- one drive bay for a non-accessible 2¹/₂ inch drive (hard disk)



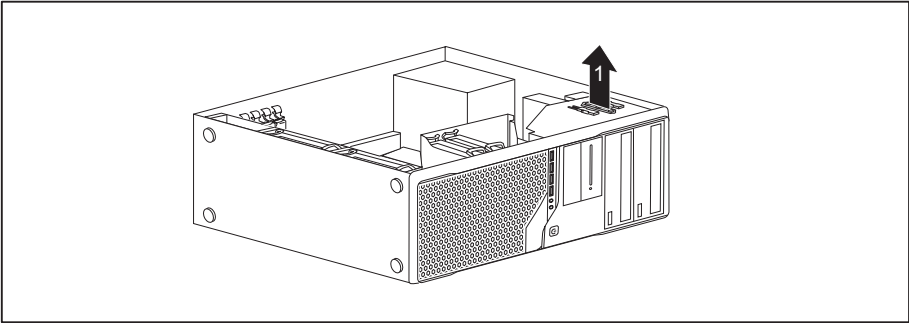
"Accessible drives" are e.g. DVD or CD ROM drives, into which a data medium can be inserted from outside. "Non-accessible drives" are for example hard disk drives.

Installing and removing the accessible 5¹/₄ inch drive

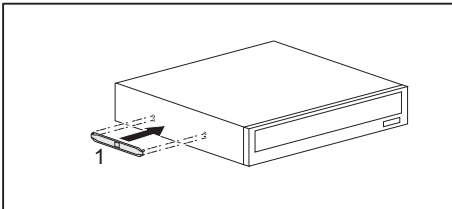
Fitting the drive cover for the 5¹/₄ inch drive

To use the latch function of the accessible 5¹/₄ inch drive, you must fit the corresponding drive cover before installing the drive in the casing. Proceed as follows:

- ▶ Open the casing (see "[Opening the casing](#)", [Page 35](#)).



- ▶ Remove the drive cover from the bracket in the direction of the arrow (1).



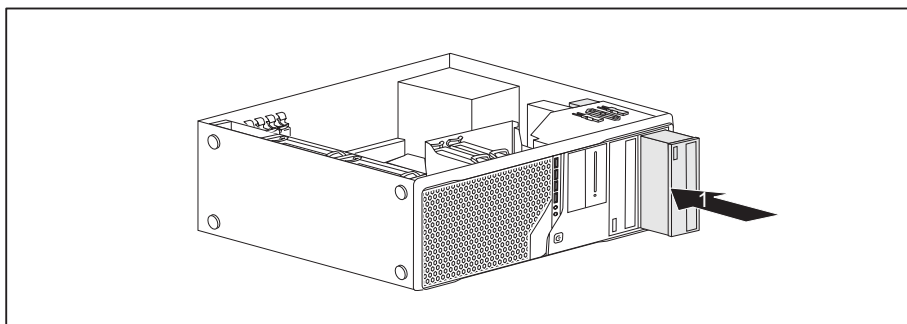
- ▶ Connect the drive cover to the drive (1).

Installing an accessible drive

- ▶ Open the casing (see ["Opening the casing", Page 35](#)).
 - ▶ If you are installing the drive in the upper bay and a cover (optional) is already in place, please remove it.
- or
- ▶ If you are installing the drive in the lower bay and a cover (optional) is already in place, please remove it.
 - ▶ Break out the pre-stamped metal cover on the drive bay.
 - ▶ Fit the drive cover for the 5 1/4 inch drive (see ["Fitting the drive cover for the 5 1/4 inch drive", Page 37](#)).



Do not throw away the cover. For cooling and protection against fire you must refit the cover if you remove the drive again later (see ["Removing an accessible drive", Page 39](#)).



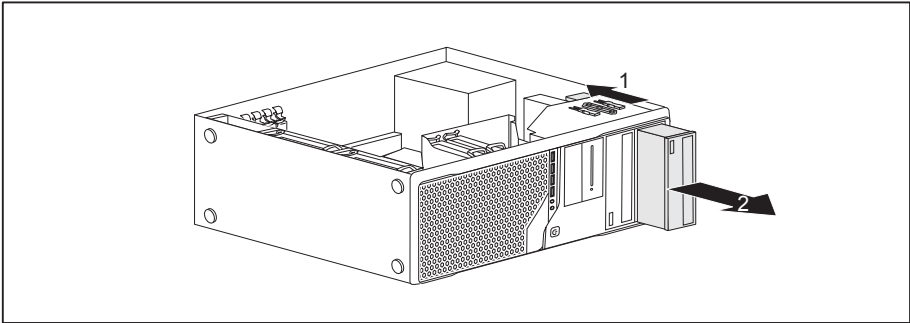
- ▶ Slide the accessible drive into the casing until it snaps in place (1).
- ▶ Connect the cables to the drive. Make sure the polarity is correct.
- ▶ Close the casing (see ["Closing the casing", Page 36](#)).



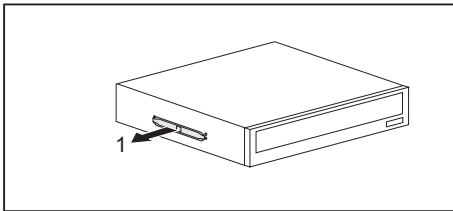
It may be necessary to modify the entry for the drive in the *BIOS Setup*.

Removing an accessible drive

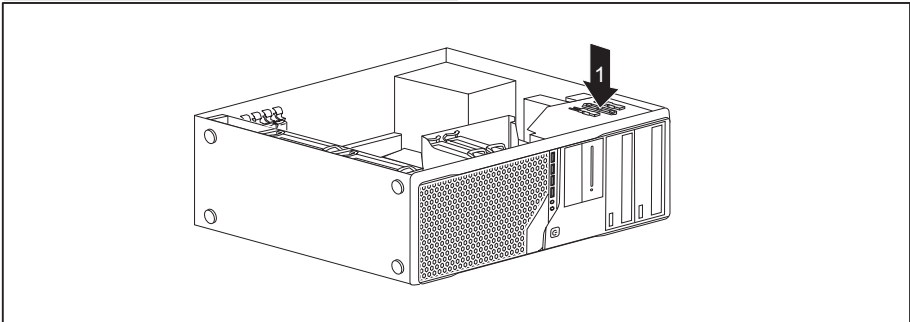
- ▶ Open the casing (see ["Opening the casing", Page 35](#)).



- ▶ Disconnect the cables connected to the drive.
- ▶ Slide the clip in the direction of the arrow (1).
- ▶ Pull the drive out of the casing in the direction of the arrow (2).



- ▶ Remove the drive cover from the drive (1).



- ▶ Place the drive cover on the holder in the direction of the arrow (1).
- ▶ If necessary, make the required settings on the remaining hard disk drives.
- ▶ If you are not installing a new drive, reinstall the previously removed cover (optional) for the purposes of cooling, fire protection and to prevent foreign objects from getting into the casing.
- ▶ Close the casing (see ["Closing the casing", Page 36](#)).



It may be necessary to modify the entry for the drive in the *BIOS Setup*.

Installing/removing the SmartCard reader and/or WLAN module (optional, 3½-Zoll)

You can also install a SmartCard reader and/or a WLAN module for wireless LAN (Local Area Network) or a memory card reader in the drive bays for 3½ inch drives (see ["Removing and installing the memory card reader \(optional, 3½ inch, MultiCard\)", Page 44](#)).



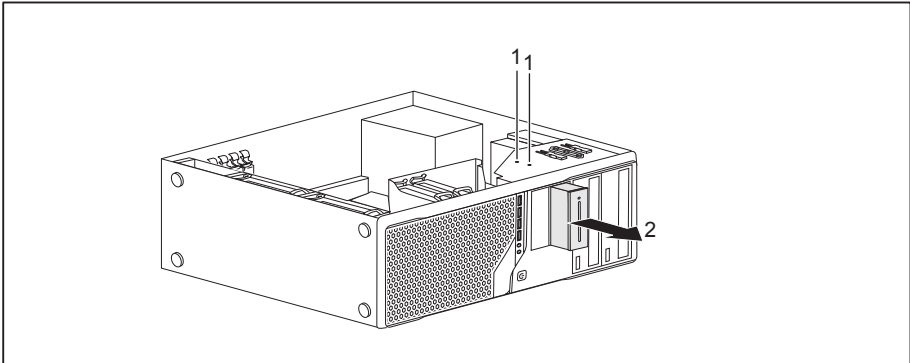
The SmartCard reader and WLAN module can be installed together in one module holder (optional). If you have ordered a device with a WLAN module and SmartCard reader, the module holder, SmartCard reader and WLAN module will already be installed at the time of delivery.

However, you can only install one of the two boards. The WLAN module is installed in the lower slot of the carrier and the SmartCard reader in the upper slot of the carrier. If you want to install the SmartCard reader and the WLAN module together, first install the WLAN module. Removal is performed in the reverse order.

If you have ordered a device without a WLAN module or SmartCard reader, a blind cover is installed instead of the module holder.

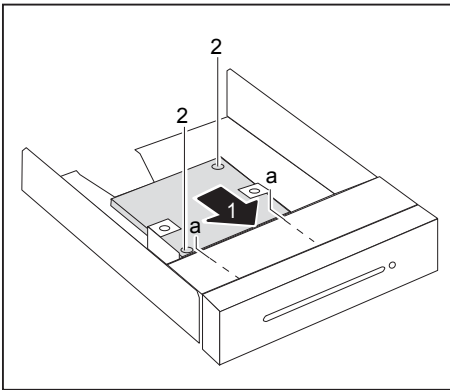
Removing the module holder

- ▶ Open the casing (see ["Opening the casing", Page 35](#)).
- ▶ Disconnect the cables connected to the module holder.



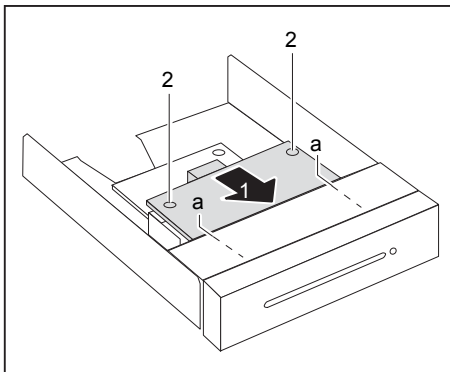
- ▶ Remove the screws (1) on the module holder.
- ▶ Slide the module holder out of the casing in the direction of the arrow (2).

Screwing the WLAN module onto the module holder



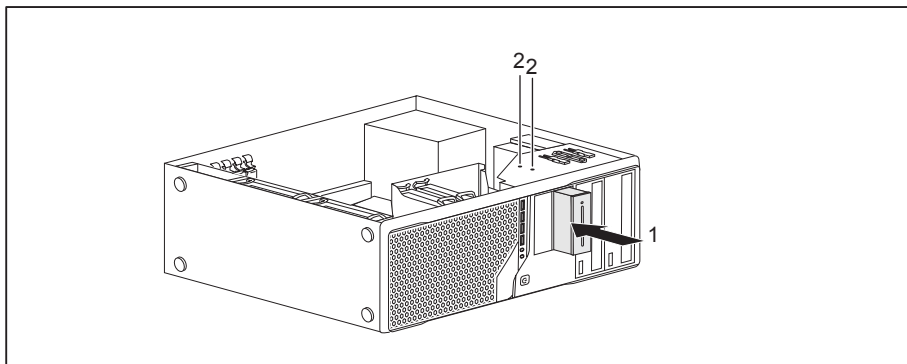
- ▶ Push the WLAN module - with the component side facing downwards - in the direction of the arrow (1) into the guide on the module holder (a).
- ▶ Fasten the WLAN module with the screws (2).

Screwing the SmartCard reader onto the module holder



- ▶ Push the SmartCard reader - with the component side facing downwards - into the guide on the module holder (a) in the direction of the arrow (1).
- ▶ Secure the SmartCard reader with the screws (2).

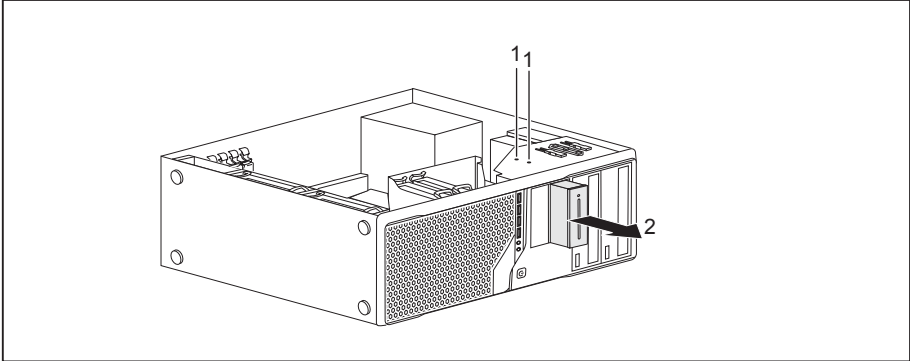
Installing the module holder with SmartCard reader and/or WLAN module



- ▶ Push the module holder into the casing in the direction of the arrow (1).
- ▶ Fasten the module holder with the screws (2).
- ▶ Connect the cables to the boards and the mainboard. Make sure the polarity is correct.
- ▶ Close the casing (see ["Closing the casing", Page 36](#)).

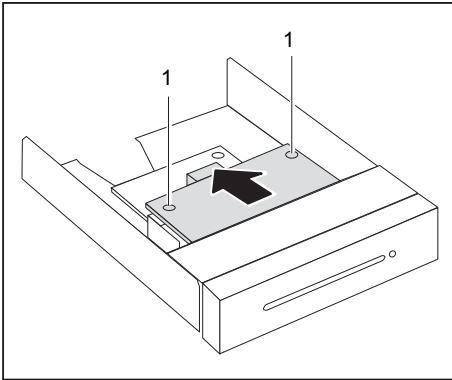
Removing the module holder with SmartCard reader and/or WLAN module

- ▶ Open the casing (see ["Opening the casing", Page 35](#)).
- ▶ Disconnect the cables connected to the module holder.



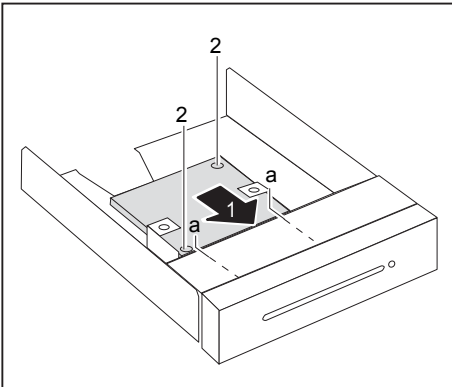
- ▶ Remove the screws (1).
 - ▶ Slide the module holder out of the casing in the direction of the arrow (2).
 - ▶ Remove the SmartCard reader and WLAN module from the module holder (see ["Removing the SmartCard reader from the module holder", Page 44](#) and ["Removing the WLAN module from the module holder", Page 44](#)) and install the module holder again (corresponds to ["Installing the module holder with SmartCard reader and/or WLAN module", Page 42](#)).
- or
- ▶ Remove the SmartCard reader and WLAN module from the module holder (see ["Removing the SmartCard reader from the module holder", Page 44](#) and ["Removing the WLAN module from the module holder", Page 44](#)) and install a blind cover in the drive bay.
 - ▶ Close the casing (see ["Closing the casing", Page 36](#)).

Removing the SmartCard reader from the module holder



- ▶ Undo the screws (1).
- ▶ Pull the SmartCard reader out of the module holder in the direction of the arrow (2).

Removing the WLAN module from the module holder



- ▶ Undo the screws (1).
- ▶ Pull the WLAN module out of the module holder in the direction of the arrow.

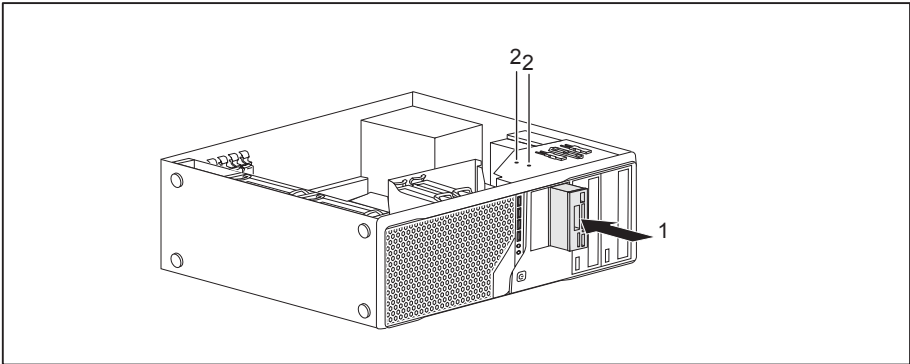
Removing and installing the memory card reader (optional, 3½ inch, MultiCard)

You can also install a memory card reader or a SmartCard reader and/or a WLAN module for wireless LAN (Local Area Network) in the drive bay for 3½ inch drives (see ["Installing/removing the SmartCard reader and/or WLAN module \(optional, 3½-Zoll\)"](#), Page 40).



The memory card reader can, unlike the SmartCard reader and WLAN module, be installed directly in the device without a module holder.

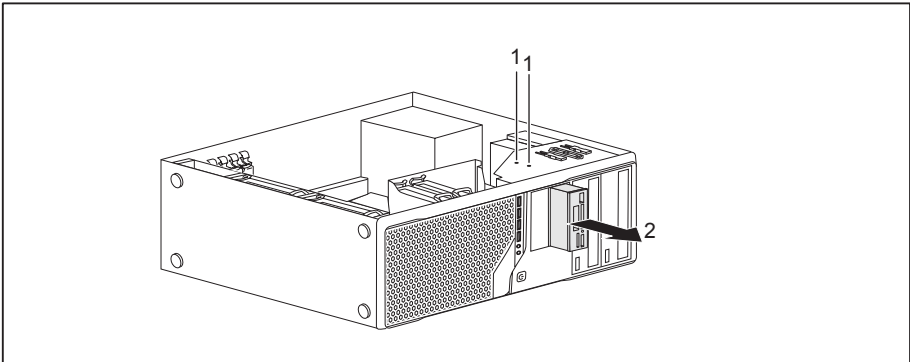
Installing the memory card reader



- ▶ Push the memory card reader into the casing in the direction of the arrow (1).
- ▶ Fasten the memory card reader with the screws (2).
- ▶ Connect the cables to the memory card reader and to the mainboard. Make sure the polarity is correct.
- ▶ Close the casing (see ["Closing the casing", Page 36](#)).

Removing the memory card reader

- ▶ Open the casing (see ["Opening the casing", Page 35](#)).
- ▶ Disconnect the cables connected to the memory card reader.



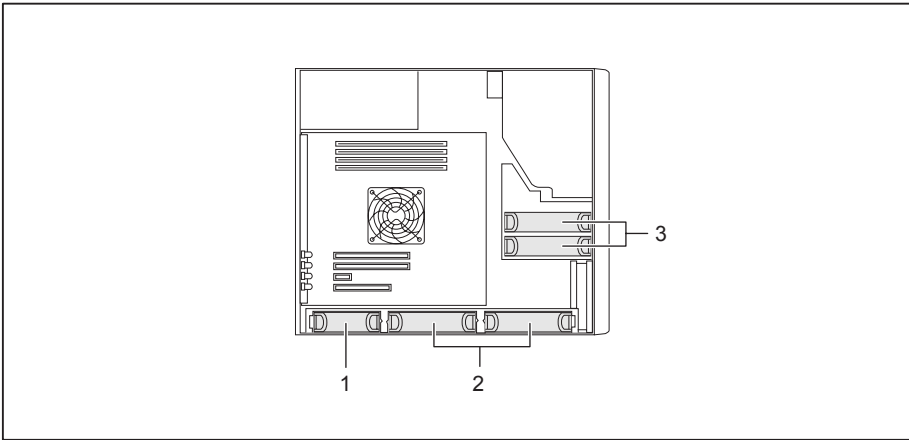
- ▶ Remove the screws (1).
- ▶ Slide the memory card reader out of the casing in the direction of the arrow (2).
- ▶ Install a blind cover in the drive bay.
- ▶ Close the casing (see ["Closing the casing", Page 36](#)).

Installing and removing the hard disk drive



The following description applies both to 3 1/2 inch drives and to 2 1/2 inch drives. The installation and removal procedure is the same for both types.

You can find EasyChange rails for a second 3 1/2 inch hard disk drive on the drive cage. EasyChange rails for a second 2 1/2 inch hard disk drive are provided together with the drive.

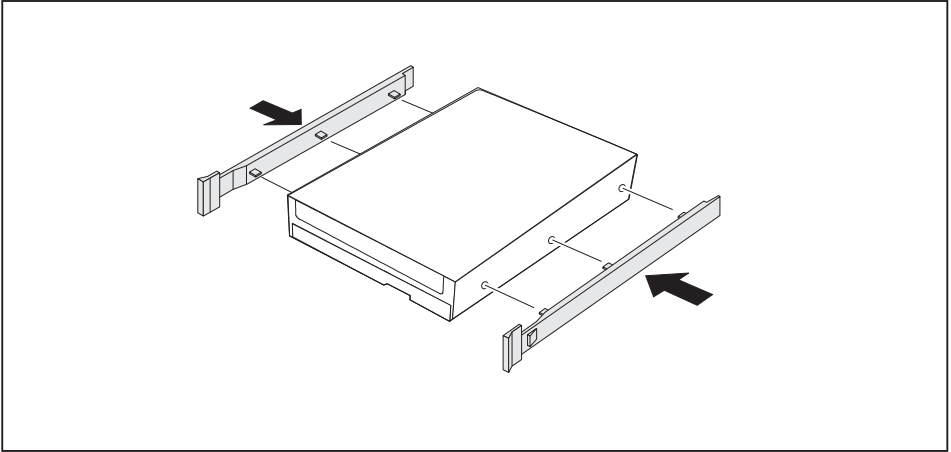


- 1 = 2 1/2 inch hard disk
- 2 = 3 1/2 inch hard disks

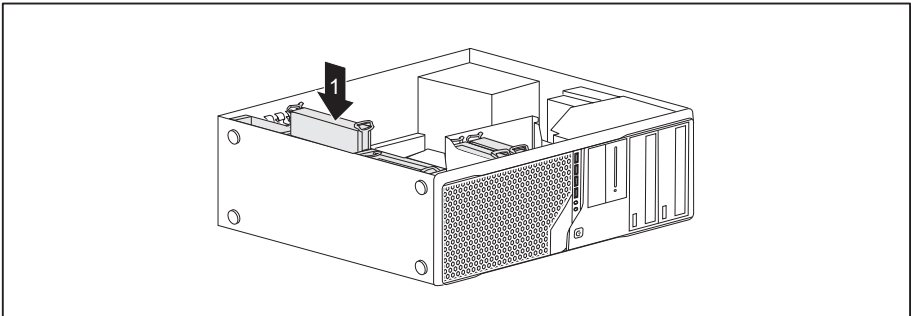
- 3 = 3 1/2 inch hard disks (optional)

Installing a hard disk drive

- ▶ Open the casing (see ["Opening the casing", Page 35](#)).



- ▶ Secure the EasyChange rails to the side of the hard disk drive by inserting the upper pins of the EasyChange rail in the corresponding holes of the hard disk.



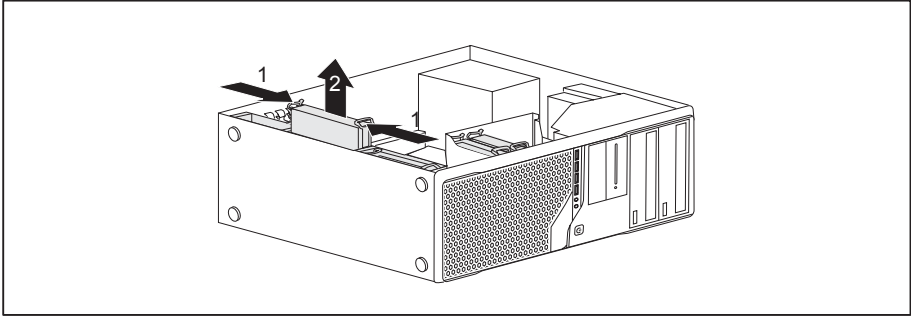
- ▶ Slide the hard disk drive with the EasyChange rails into the drive cage in the direction of the arrow (1). Check that the component side of the hard disk drive faces inwards towards the casing floor.
- ▶ Connect the cables to the hard disk drive.
- ▶ Close the casing (see ["Closing the casing", Page 36](#)).



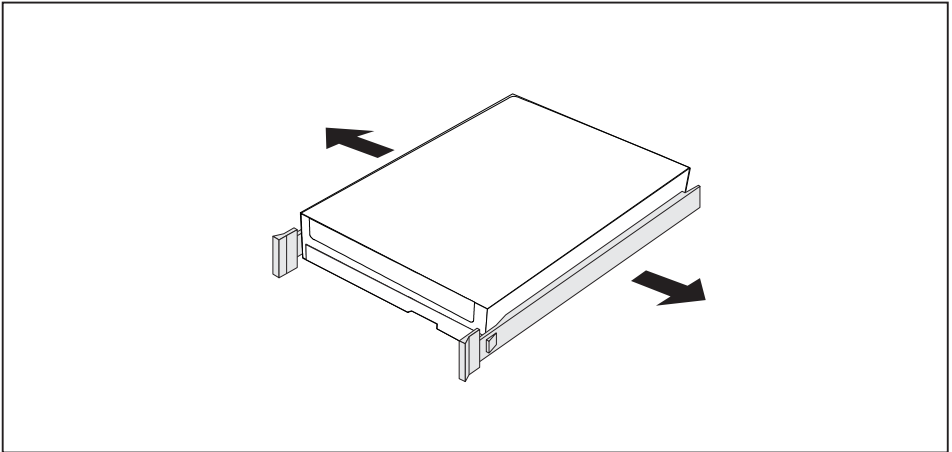
It may be necessary to modify the entry for the drive in the *BIOS Setup*.

Removing the hard disk drive

- ▶ Open the casing (see ["Opening the casing", Page 35](#)).



- ▶ Slightly press together the EasyChange rails mounted on the hard disk drive (1) and pull the hard disk drive slightly out of the drive cage in the direction of the arrow (2).
- ▶ Disconnect the cables connected to the hard disk drive.
- ▶ Slightly press together the EasyChange rails mounted on the hard disk drive (1) and pull the hard disk drive completely out of the drive cage in the direction of the arrow (2).



- ▶ Pull the EasyChange rails off the hard disk drive.
- ▶ If you no longer need the EasyChange rails, secure them again at their location in the drive cage.



It may be necessary to modify the entry for the drive in the *BIOS Setup*.

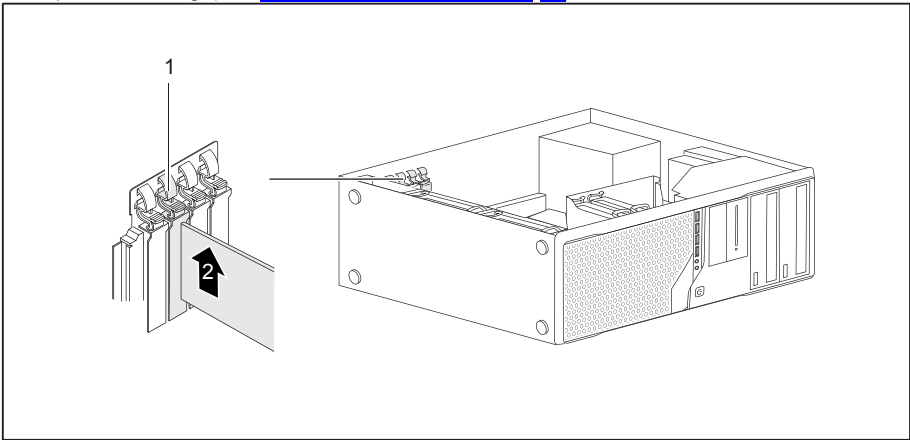
Installing and removing a board

You can install additional modules in order to increase the performance of your machine.

The number, position and arrangement of the board slots on the mainboard can be found in the manual for the mainboard. Boards may already be installed on shipment.

Installing a board

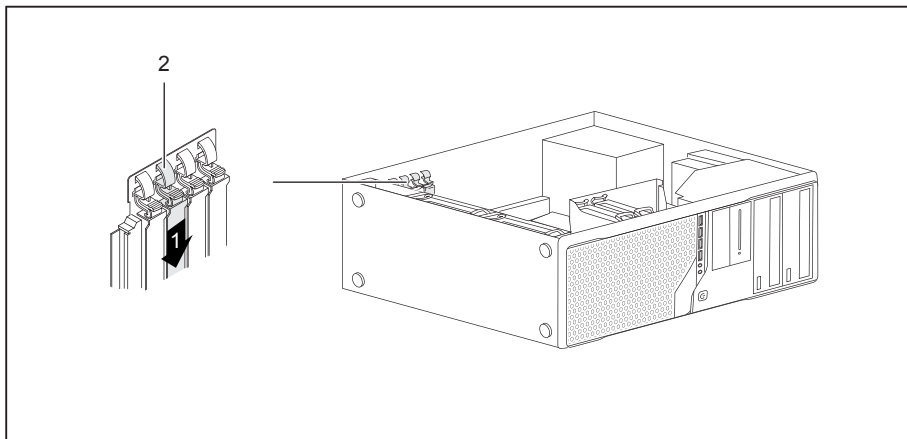
- ▶ Open the casing (see ["Opening the casing", Page 35](#)).



- ▶ Swivel the retaining clamp (1) around towards the back wall of the device.
- ▶ Pull the slot cover out of the slot in the direction of the arrow (2).



Do not throw away the slot cover. For cooling, protection against fire and in order to comply with EMC regulations, you must refit the slot cover if you remove the board.



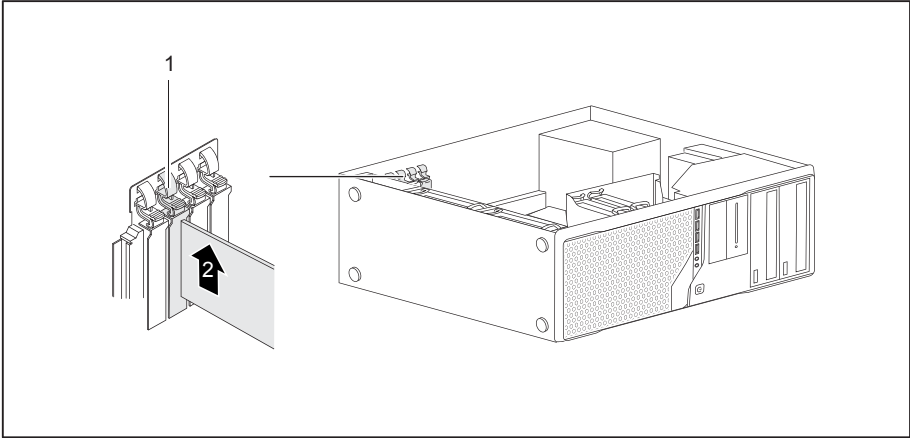
- ▶ Push the board into the slot (1).
- ▶ Swivel the retaining clamp back again until you feel it click into place (2).
- ▶ If necessary, connect the cables to the board.
- ▶ Close the casing (see ["Closing the casing", Page 36](#)).



If you have installed or removed a board, please check the relevant PCI slot settings in the *BIOS Setup*. If necessary, change the settings. Further information is provided in the PCI board documentation.

Removing a board

- ▶ Open the casing (see ["Opening the casing", Page 35](#)).
- ▶ Disconnect the cables connected to the board.



- ▶ Swivel the retaining clamp (1) around towards the back wall of the device.

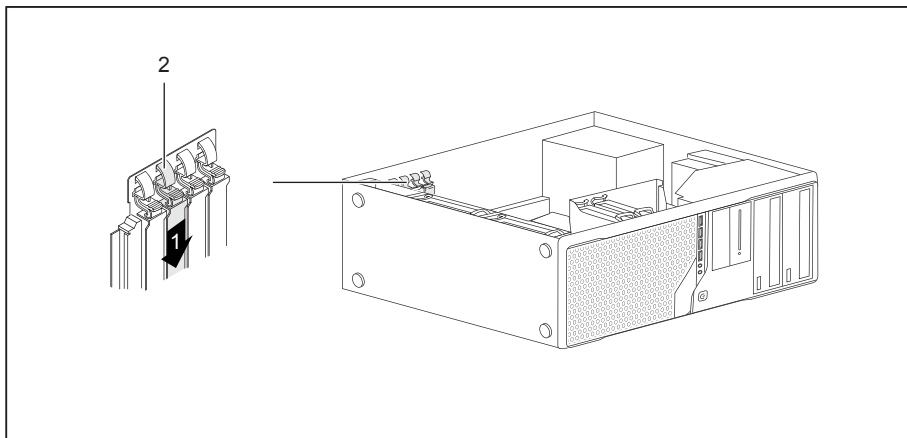
i

Boards in the PCI-Express x16 slot are additionally secured to the slot at the bottom with a plastic catch. Push the plastic catch to the side to release the card. You can then remove the card as described below.

- ▶ Pull the board out of the slot in the direction of the arrow (2).
- ▶ Place the board in suitable packaging.



For cooling, protection against fire, and in order to comply with EMC (electromagnetic compatibility) regulations, you must refit the slot cover.



- ▶ Slide the slot cover into the slot (1).
- ▶ Swivel the retaining clamp back again until you feel it click into place (2).
- ▶ Close the casing (see ["Closing the casing", Page 36](#)).



If you have installed or removed a PCI board, please check the relevant PCI slot settings in the *BIOS Setup*. If necessary, change the settings. Further information is provided in the PCI board documentation.

Installing and removing heat sinks

Removing the heat sink

The shape and position of the heat sink are device-dependent.

- ▶ Open the casing (see ["Opening the casing", Page 35](#)).
 - ▶ Disconnect the cable of the fan (FAN1) from the mainboard.
 - ▶ Undo the screws on the heat sink.
 - ▶ Lift the heat sink out of the casing.
- ↳ You can now replace the processor.



Never operate the device without a heat sink! Before initial startup, install the heat sink again in the same way as it was installed in the device before removal.

Installing the heat sink

- ▶ Open the casing (see ["Opening the casing", Page 35](#)).



Install the heat sink again in the same way as it was fitted in the device at the time of removal.

- ▶ Insert the heat sink into the casing. To do this, correctly align the screw holes on the heat sink with the screw holes on the mainboard.
- ▶ Tighten the screws.
- ▶ Connect the fan cables to the mainboard.

Mainboard expansions

Details on how to upgrade the main memory or the processor of your device can be found in the manual for the mainboard.

Upgrading main memory

- ▶ Open the casing (see ["Opening the casing", Page 35](#)).
- ▶ Upgrade the main memory according to the description in the manual for the mainboard.
- ▶ Close the casing (see ["Closing the casing", Page 36](#)).

Replacing the processor

- ▶ Open the casing (see ["Opening the casing", Page 35](#)).
- ▶ Remove the heat sink (see ["Removing the heat sink", Page 52](#)).
- ▶ Replace the processor as described in the manual for the mainboard.
- ▶ Install the heat sink again (see ["Installing the heat sink", Page 53](#)).
- ▶ Close the casing (see ["Closing the casing", Page 36](#)).

Exchanging the lithium battery

In order that the system information can be permanently saved, a lithium battery has been installed to supply the CMOS memory with power. If the voltage in the battery is too low or the battery is flat, an appropriate error message is displayed. The lithium battery must then be exchanged.



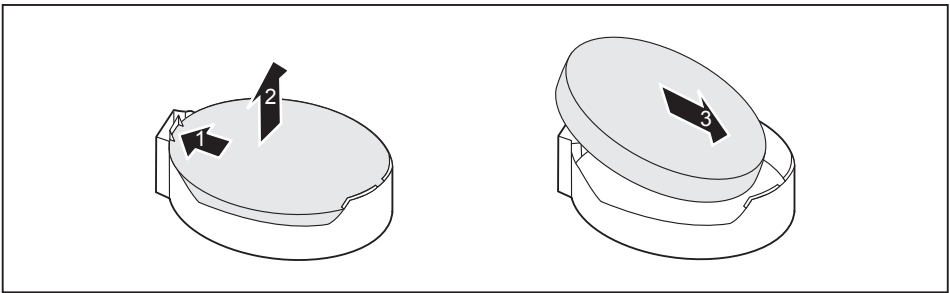
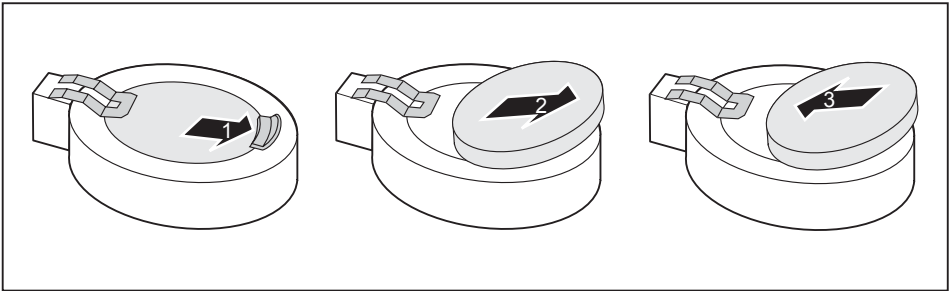
There is a risk of explosion if the lithium battery is incorrectly exchanged.

The lithium battery may only be replaced by identical batteries or those recommended by the manufacturer.

The lithium battery may not be disposed of in the household rubbish. It should be returned to the manufacturer, dealer or agent free of charge to ensure that it is recycled or correctly disposed of.

When exchanging the battery, be sure to check that the polarity of the lithium battery is correct: positive pole upwards!

The lithium battery holder is available in different designs which do not differ in their function.



- ▶ Press the clip in the direction of the arrow (1).
- ↳ The battery will jump up a little in its holder.
- ▶ Remove the battery (2).
- ▶ Push a new lithium battery of the identical type into the holder (3) and press it down until it registers in place.

Technical data

Electrical data	
Safety standards complied with:	IEC 60950-1, EN 60950-1, UL 60950 CSA 22.2 No.60950-1
Protection class:	I
Rated voltage range	100 V – 240 V
Rated frequency	50 Hz – 60 Hz
Max. rated current	100 V – 127 V / 6 A 200 V – 240 V / 3 A
Dimensions	
Width/depth/height:	175 mm x 419 mm x 395 mm
Weight	
in basic configuration:	approx. 11 kg
Ambient conditions	
Environment class 3K2	DIN IEC 721 part 3-3
Environment class 2K2	DIN IEC 721 part 3-2
Temperature	
Operation (3K2)	10 °C 35 °C
Transportation (2K2)	-25 °C 60 °C
The formation of condensation is not permitted while the device is in operation !	
Clearance required to ensure adequate ventilation:	
without air vents	min. 10 mm
with air vents	min. 200 mm



The data sheets of these devices contain further technical data. The data sheets can be found on our website ["http://ts.fujitsu.com"](http://ts.fujitsu.com).

Index

- A**
 - Access permission, SmartCard 27
 - Alphanumeric keypad 23
 - Anti-theft protection 25
 - Audio input 15
 - Audio output 15

- B**
 - Battery 54
 - BIOS Setup 24
 - security functions 27
 - BIOS Setup,
 - configuration 24
 - settings 24
 - system settings 24
 - Board
 - installing 49
 - removing 51
 - Board,
 - installing 49
 - removing 49
 - Button,
 - ON/OFF switch 23

- C**
 - Cable
 - connecting 14
 - disconnecting 14
 - Casing
 - Mechanical lock 26
 - Casing lock 26
 - Casing mechanical lock 26
 - Casing,
 - closing 36
 - Lead-sealing 25
 - opening 35
 - CE marking 10
 - Chain 25
 - Components
 - installing/removing 33
 - Connecting a PS/2 keyboard 17
 - Connecting,
 - keyboard 17
 - mouse 16
 - PS/2 keyboard 17
 - PS/2 mouse 16
 - USB keyboard 17
 - Contents of delivery 12
 - Cord
 - see Cable 14
 - Ctrl+Alt+Del 24
 - Cursor keys 23

- D**
 - Data protection 24
 - Device
 - Connections 15
 - setting up 13
 - Device drivers
 - Parallel port 18
 - Device drivers,
 - Serial port 18
 - Device,
 - Anti-theft protection 25
 - closing 36
 - Lead-sealing 25
 - opening 35
 - switching off 21
 - switching on 19, 21
 - transporting 9–10
 - upgrades 33
 - Devices
 - connecting 18
 - Devices,
 - connecting 18
 - Disposal 10
 - Drivers & Utilities DVD 10

- E**
 - Electromagnetic compatibility 10
 - Energy saving 10
 - Ergonomic
 - Workstation 13
 - Exchanging
 - Lithium battery, 54
 - Exchanging, lithium battery 54
 - External devices
 - connecting 18
 - Ports 15
 - External devices,
 - connecting 18

- F**
 - Function keys 23

- G**
 - Getting started 12

H

Headphones 15

I

Important notes 9

Installing,

software 19–20

switching on for the first time 19

K

Kensington Lock 25

Keyboard 23

Keyboard port 15

keyboard shortcuts 24

Keyboard shortcuts 23

Keyboard,

alphanumeric keypad 23

connecting 17

cursor keys 23

function keys 23

numeric keypad 23

port 17

Keys 23

Keys,

Alt Gr 24

Control 24

Ctrl 24

Ctrl key 24

Ctrl+Alt+Del 24

cursor keys 23

Enter 23

Enter key 23

menu key 24

Num Lock 24

Return 23

shift 24

shift key 24

Start key 24

L

LAN port 15

Lead-sealing 25

Line in 15

Line out 15

Lithium battery 53

Lithium battery,

exchanging 54

Lock 26

Low voltage directive 10

M

Main memory 53

upgrading 53

Mainboard

Upgrades 53

Mains adapter,

connecting 13

Microphone jack 15

Monitor port 15

Monitor,

switching off 21

switching on 19, 21

Mouse port 15

Mouse,

connecting 16

N

Note

safety 9

Notes

CE marking 10

important 9

Numeric keypad 23

O

ON/OFF switch 23

Overview

Device 5

P

Packaging 12

Packaging,

unpacking 12

Parallel port 15, 18

Connecting devices 18

Settings 18

Ports 7, 15

Preparing for first use, overview 12

Preparing for use,

overview 12

Printer 15

Processor 53

Property protection 24

PS/2 mouse port 15

PS/2 mouse,

connecting 16

port 16

R

Recycling 10

Retransportation 9–10

S

- Safety information 9
- Security functions
 - BIOS Setup 27
- Security functions,
SmartCard 27
- Security measures 24
- Serial port 15, 18
 - Connecting devices 18
- Serial port,
Settings 18
- Servicing 33
- Setup,
see BIOS Setup 24
- SmartCard reader,
operating 27
- Software,
installing 19–20
- System expansion 33
- System settings,
BIOS Setup 24
- System unit, see Device 10

T

- Transportation 9–10

U

- Universal Serial Bus 15
- Upgrades
 - Mainboard 53
- Upgrades,
device 33
- USB devices,
connecting 18
- USB port 16–17
- USB port,
connecting devices 18
 - connecting keyboard 17
 - connecting the mouse 16
- User Documentation DVD 10

W

- Workstation 13