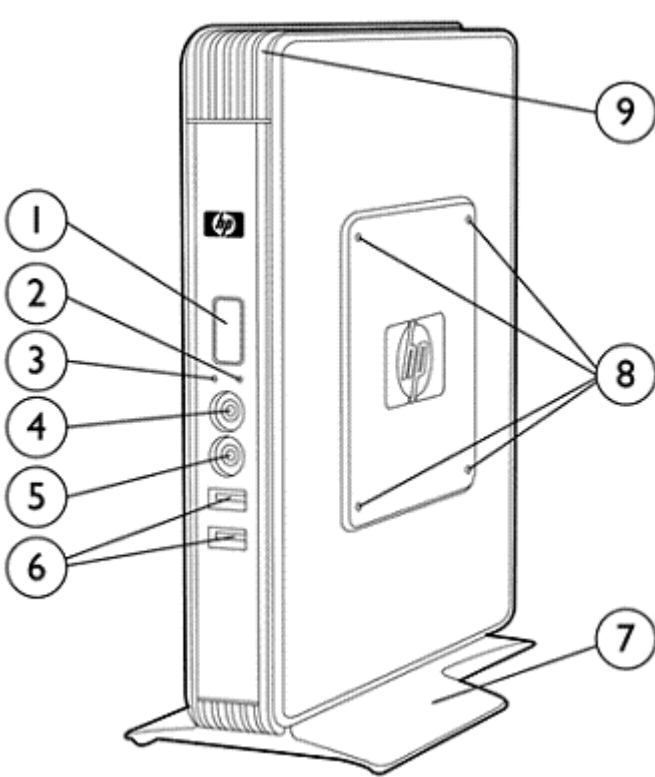
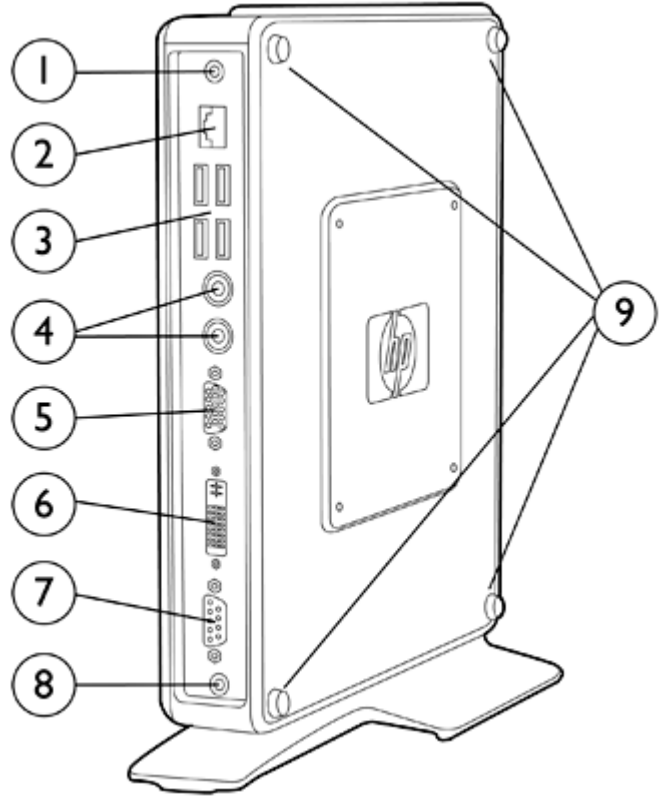


Overview



Front

1. Power button
2. Power on indicator
3. Flash activity indicator
4. Audio connector (headphone/speaker out)
5. Audio connector (mic in)
6. USB connectors (two)
7. Removable stand for vertical orientation
8. Mounting points for HP Quick Release
9. Secure USB compartment

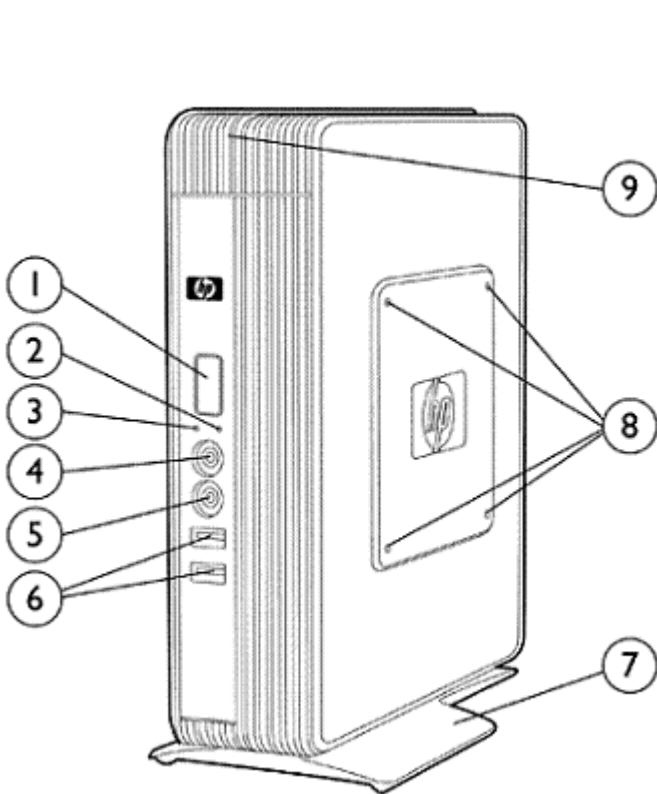


Back

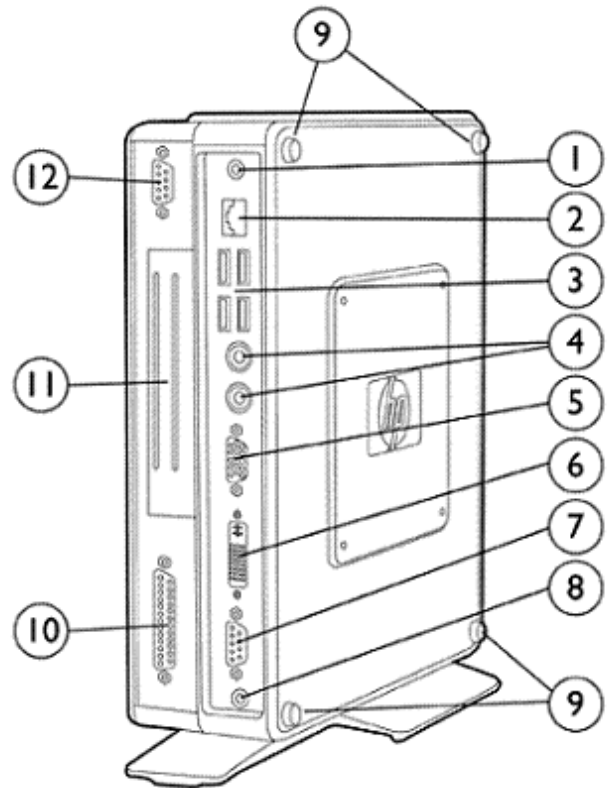
1. Audio out
2. Ethernet RJ-45 connector
3. USB connectors (four)
4. PS/2 connectors (two)
5. Serial connector
6. DVI-D monitor connector
7. VGA monitor connector
8. +12V DC power input
9. Feet for horizontal orientation (four)

Overview

with optional t5730/t5735 Expansion Module Kit

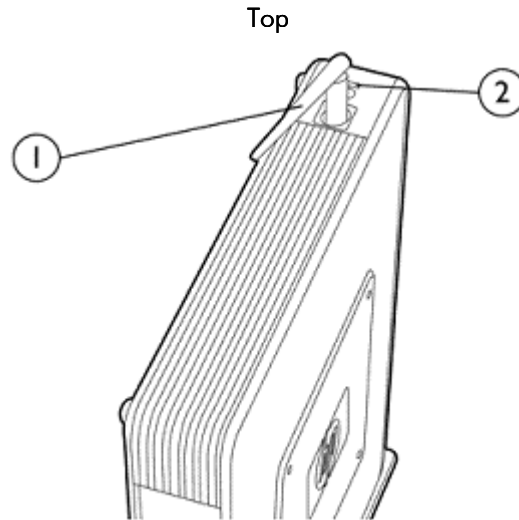


1. Power button
2. Power on indicator
3. Flash activity indicator
4. Audio connector (headphone/speaker out)
5. Audio connector (mic in)
6. USB connectors (two)
7. Removable stand for vertical orientation
8. Mounting points for HP Quick Release
9. Secure USB compartment



1. Audio out
2. Ethernet RJ-45 connector
3. USB connectors (four)
4. PS/2 connectors (two)
5. Serial connector
6. DVI-D monitor connector
7. VGA monitor connector
8. +12V DC power input
9. Feet for horizontal orientation (four)
10. Parallel connector
11. PCI/PCIe slot access
12. Second serial connector

Overview



1. Wireless antenna (select models)
2. Cable lock slot

At A Glance

- AMD Sempron 2100+ 1 GHz processor for leading performance
- 2 GB flash memory provides ample storage for drivers and applications
- 1 GB system memory (32 MB reserved for graphics memory)
- Highly extensible Windows Embedded Standard OS with support for local applications including custom applications
- Excellent rich multimedia experience and enhanced USB device support in blade PC and VDI environments
- Enhanced Write Filter and HP Symantec Endpoint Protection for enhanced data security Enterprise class HP Device Manager, lets you remotely manage devices from a central location.
- Altiris Deployment Solution helps reduce the costs of deploying, updating, and maintaining your thin clients. A free client license is included with each HP thin client.
- Exclusive HP ThinState Tools offers in-box, easy-to-use image deployment and recovery tools.
- HP Client Automation for quick and easy deployment of images and thin client management. For more details visit: <http://www.hp.com>.
- HP Universal Print Driver (available as add-on) for HP PCL5 printers
- Powerful ATI Radeon X1250 graphics supporting a broad range of HP monitors including widescreens and touch screens
- Built in dual monitor support (VGA and DVI-D native)
- Integrated wireless technology (select models)
- Optional Expansion Module with PCI and PCI Express x1 for installing a wide range of devices (includes a parallel and second serial port)
- Secure USB compartment is ideal for protecting USB wireless and USB Flash devices
- Legacy support includes parallel (via Expansion Module), serial, and PS/2 connections, along with eight USB 2.0 ports
- Protected by Hewlett-Packard Services, including a limited three-year mail-in warranty (certain restrictions and exclusions apply)

Standard Features - Models

Worldwide: NV267AA	Processor	AMD Sempron 2100+, 1 GHz
	Operating System	Microsoft Windows Embedded Standard
Americas/EMEA: NV267AT (Top Value/Smart Buy)	Flash Memory	2 GB
	Memory	1 GB DDR-2 SODIMM NOTE: 32 MB reserved for graphics memory
US: NZ489AA (TAA compliant ¹)	Graphics	ATI Radeon X1250 graphics
	Browser	Microsoft Internet Explorer 7
	Client Management Software	HP Device Manager Agent 4.0 Altiris Deployment Solution (full client license). Altiris Deployment Solution (management console) available as free download from Altiris at: www.altiris.com/hptc HP ThinState for image capture and redeploy HP Client Automation agent
	Terminal Personalities	Standard
	Keyboard	USB or PS/2 Type of included keyboard (USB or PS/2) varies by region.
	Mouse	USB or PS/2 Type of included mouse (USB or PS/2) varies by region.

¹Product complies with U.S. Trade Agreement (TAA). Available in U.S. only.

Worldwide: NV268AA	Processor	AMD Sempron 2100+, 1 GHz
	Operating System	Microsoft Windows Embedded Standard
Americas: NV268AT (Top Value/Smart Buy)	Flash Memory	2 GB
	Memory	1 GB DDR-2 SODIMM NOTE: 32 MB reserved for graphics memory
	Graphics	ATI Radeon X1250 graphics
	Integrated Wireless²	Broadcom 4311BG 802.11 b/g Wi-Fi adapter
	Browser	Microsoft Internet Explorer 7
	Client Management Software	HP Device Manager Agent 4.0 Altiris Deployment Solution (full client license). Altiris Deployment Solution (management console) available as free download from Altiris at: www.altiris.com/hptc HP ThinState for image capture and redeploy HP Client Automation agent
	Terminal Personalities	Standard
	Keyboard	USB or PS/2 Type of included keyboard (USB or PS/2) varies by region.
	Mouse	USB or PS/2 Type of included mouse (USB or PS/2) varies by region.

²A standard WLAN (Wi-Fi) infrastructure with wireless access points is required and is not included.

Options

	NOTE: Optional accessories are available as separate purchase.	Part Number
Accessories	HP t5730/t5735 Expansion Module	GZ286AA
	HP Quick Release Kit	EM870AA
	HP Integrated Work Center Stand	GN783AA
	HP/Kensington Cable Lock	PC766A
	50 Watt External Power Supply	FJ851AA
Third-party Communications	Wireless PCI - Cisco Aironet PCI ^{3,4}	AIR-PI21AG-A-K9
	Wireless USB - Belkin USB Wireless 802.11b/g ^{3,4} (Security: WEP, WPA, and WPA2 only) (North America, Singapore, Hong Kong, Malaysia, Philippines, India, Korea, China, Taiwan, Australia, New Zealand) To order, visit: www.belkin.com , search for HP4050, and order online	Belkin part number: HP4050
	Belkin USB Wireless 802.11b/g ^{3,4} (Security: WEP, WPA and WPA2 only) (Germany, Netherlands, Spain, Italy, France, Poland, Hungary, Czech, Russia, Bulgaria, Romania, United Kingdom, Sweden/Scandinavia) To order, visit: www.belkin.com , search for HP4050ea, and order online	Belkin part number: HP4050ea
	HP Neoware NA USB Wireless Adapter (US: not certified for use in Latin America or Canada) (Asia/Pacific: Taiwan, Australia, Malaysia, Singapore, Indonesia, Philippines) Security: WEP except 256-bit, WPA and WPA2 only	AK256AA
	HP Neoware EMEA USB Wireless Adapter (EMEA, Taiwan; not certified for use in Russia or Belarus) Security: WEP except 256-bit, WPA & WPA2 only	AK257AA
Input Devices	HP PS/2 Standard Keyboard	DT527A
	HP USB Standard Keyboard	DT528A
	HP USB Smartcard Keyboard	ED707AA
	HP PS/2 2-Button Optical Mouse	EY703AA
	HP USB 2-Button Optical Scroll Mouse	DC172B
Monitors⁵	ELO Touch 1529L Flat Panel – USB/serial combo ^{4,6}	E926109
	HP L5006tm LCD Touchscreen – USB/serial combo	RB146AA
	HP Digital Signage Display Wall Mount	EM894AA
Graphics	NVIDIA Quadro nvs290 PCIe x1 Graphics Card (Dual Head)	KN586AA
	Matrox EpicA TC4 ⁴	EPI-TC4P128LPAF
	Matrox EpicA TC2 ⁴	EPI-TC2P64LPAF

Options

Security	HP USB Smartcard Keyboard	ED707AA
	SCM USB Smart Card Reader SCR331 ⁴	904054
	HP/Kensington Cable Lock	PC766A

Care Pack Services ⁷	9x5 Next-Business-Day Advanced Exchange - 3 Years	331653-001; U4847E ⁸
	9x5 Next-Business-Day On-Site Coverage - 3 Years	331655-001; U4849E ⁸
	Hardware Installation	331686-001; U4865E

³Wireless functionality is not supported for roaming environments. Thin client must be stationary for wireless device to properly function. A standard WLAN (Wi-Fi) infrastructure with wireless access points is required and is not included.

⁴Option, drivers, and support are available directly from third party.

⁵Drivers must be installed. For a complete list of monitors compatible with HP thin clients, it is important to cross-reference the supported video resolutions of the HP thin client to the supported resolutions of the monitor. Most HP monitors have one or more supported resolutions that match HP thin client products.

⁶Only serial is supported.

⁷Service levels and response times for HP Care Pack Services may vary depending on your geographic location. Restrictions and limitations apply. For details, visit: www.hp.com/go/carepack.

⁸U4847E is available in all regions; U4849E is available in Americas and Asia-Pacific/Japan.

Technical Specifications

Possible Memory Configurations

Flash Memory	Memory Slot (DDR-2)
1 GB	1 GB
2 GB	1 GB
2 GB	2 GB

Processor	AMD Sempron 2100+, 1 GHz
Memory	Flash Memory Up to 2 GB
	System Memory Up to 2 GB DDR-2 SODIMM NOTE: 32 MB reserved for graphics memory

Graphics ATI Radeon X1250 graphics with support for high-resolution monitors up to 2048 x 1536, or up to 32 bit color depth*

Mode	Color depth	Refresh rate
640 x 480	8/16/32bit	60, 72, 75, 85
800 x 600	8/16/32bit	60, 70, 72, 75, 85
848 x 480	8/16/32bit	60, 75, 85
1024 x 480	8/16/32bit	60
1024 x 768	8/16/32bit	60, 70, 72, 75, 85
1280 x 720	8/16/32bit	60, 75, 85
1280 x 768	8/16/32bit	60
1280 x 1024	8/16/32bit	60, 70, 75, 85
1360 x 768	8/16/32bit	60
1368 x 768	8/16/32bit	60, 75, 85
1400 x 1050	8/16/32bit	60
1440 x 900	8/16/32bit	60, 75, 85
1600 x 1200	8/16/32bit	60, 75, 85
1680 x 1050	8/16/32bit	60, 75
1920 x 1080	8/16/32bit	60, 75
1920 x 1200	8/16/32bit	60, 75, 85
2048 x 1536	8/16/32bit	60, 66, 70, 75, 85

* The table represents a sample of possible modes that this controller is capable of displaying but various factors such as the capability and EDID info returned by the attached monitor, the interface used (D-SUB/DVI-D), and dual monitor mode may limit the availability of modes, color depth, and or refresh rate.

Input/Output/ Peripheral Support	Keyboard	USB or PS/2 Keyboard included with every thin client. Type of included keyboard (USB or PS/2) varies by region.
	Mouse	USB or PS/2 (both supported) Mouse included with every thin client. Type of included mouse (USB or PS/2) varies by region.
	Printer	Local and/or network printers (RDP, ICA, LPD) as per the printer support statement.

Technical Specifications

	Video	ATI Radeon X1250 graphics
Audio	Output	Internal amplified speaker, 1/8-inch mini, full 16-bit stereo, 44-kHz sample rate.
	Input	1/8-inch mini microphone
Hardware Security		Security lock slot (cable lock sold separately) Secure USB compartment with 2 USB 2.0 ports
Networking		10/100/1000 Gigabit Ethernet (RJ-45) TCP/IP with DNS and DHCP Point-to-Point Protocol (PPP), Direct Connection through RS-232, Point-to-Point over Ethernet (PPPoE), Point-to-Point Tunneling Protocol (PPTP), Layer-2 Tunneling Protocol (L2TP), Wake on LAN (WOL), PXE Server Network Time Protocol (SNTP) Simple Network Management Protocol (SNMP)
Wireless LAN (select models)	Adapter	Broadcom 4311BG 802.11b/g WiFi Adapter
	Form Factor	PCI-Express MiniCard
	Security⁹	Supports 64- and 128-bit WEP, WPA, WPA2, AES, 802.1x authentication types EAP-TLS, LEAP Support for Cisco Security Features (proven compatibility with Cisco Aironet infrastructure products through the Cisco Compatible Extensions Program Version 4).
I/O ports and connectors		Eight USB 2.0 ports (two in front, four in rear, two in secure USB compartment), 1 VGA, 1 DVI-D, 2 PS/2, 1 serial, 1 RJ-45, and 1 optional Expansion Module with PCI and PCIe x1 including 1 parallel and second serial port
Server OS Compatibility/Support		Citrix XenApp 4.5 Citrix XenDesktop 2.x and 3 Citrix Presentation Server 4.0 Windows Server 2008 Terminal Services Windows 2000/2003 Server families, Windows 2000/2003 Server Terminal Services
Software Included	Operating System/Protocols/Components	Windows Embedded Standard Citrix ICA 11.0 (XenApp Plugin for Hosted Apps 11.0) Microsoft RDP 6.1 Microsoft Internet Explorer 7 Windows Media Player 11 HP TeemTalk Terminal Emulator 7.1 Citrix ICA 11.1 (Desktop Receiver 11.1) available as an add-on
	Security	Enhanced Write Filter Symantec Endpoint Protection
	Session Allocation Managers/Session Brokers	HP Session Allocation Manager (SAM) 2.3 Citrix Desktop Delivery Controller enabled through web browser VMware View Manager 3.0 (previously known as VDM broker)
	Multimedia and USBR solutions	HP Remote Graphics Software Receiver 5.2 for VMware View and Microsoft Terminal Services HP RDP Multimedia and USB Redirection software enhancements for VMWare View Citrix HD-X support for XenApp Citrix HD-X support for XenDesktop

⁹Check latest software/driver release for updates on supported security features.

Technical Specifications

	Management	HP Device Manager agent 4.0 Altiris Deployment Solution (full client license). Management console available as free download from Altiris at: www.altiris.com/hptc HP ThinState for rapid deployment HP Client Automation agent
		Other add-on software available (see: www.hp.com/support for latest list of available add-ons)
Languages (MUI)		English, French, German, Spanish, Dutch, Norwegian, Korean, Simplified Chinese, Traditional Chinese, and Japanese
Dimensions H x W x D (approximate)	Without stand	10.0 x 1.8 x 8.47 in (254.5 x 45.7 x 215.14 mm)
	With stand	10.5 x 1.8 x 8.47 in (266.7 x 45.7 x 215.14 mm)
	With Expansion Module	10.0 x 3.0 x 8.47 in (254.5 x 76.2 x 215.14 mm)
Weight (approximate)	With stand	3.5 lb (1.6 kg)
	With Expansion Module	4.8 lb (2.2 kg)
Environmental	Temperature range	Operating: 50° to 104° F (10° to 40° C) Operating, using Quick Release with a flat panel monitor or PCI Expansion Unit: 50° to 95° F (10° to 35° C) Non-operating: -22° to 140° F (-30° to 60° C)
	Humidity	20% to 80% condensing 10% to 95% non-condensing
	Power	Worldwide auto-sensing 100-240 VAC, 50-60 Hz energy-saving automatic power-down, surge-tolerant, Energy Star compliant 50-watt power supply.
	Power consumption¹⁰	Average power consumption in idle mode is from 17.7 to 18.8 W.
¹⁰ The actual power consumption at your location could vary and is dependent on many factors including but not limited to software load on the thin client, attached peripherals, and environmental factors.		
Regulatory Compliance	Ergonomics	German ZH1/618; EN29241-3, approved
	Safety	UL 1950, CSA 950; TÜV-GS (EN60 950) approved
	RF Interference	FCC Class B; CE Mark; EN55022B; VCCI
Warranty	Three-year limited hardware warranty. NOTE: Certain restrictions apply. Consult the HP Customer Support Center for details.	
Emulations	Emulation	Terminal ID
	ADDS A2	
	AIXTerm	
	ANSI BBS	
	AT 386	
	ATT4410	
	DG 410/412	
	HP 700-92/96	70092, 70094, 70096, 2392A, 2622A
	HZ1500	
	IBM3151	Mod11, Mod31
	IBM3270	3278-2 (24x80), 3278-3 (32x80), 3278-4 (43x80), 3278-5 (27x132), 3278-2-E (24x80), 3278-3-E (32x80), 3278-4-E (43x80), 3278-5-E (27x132), 3279-2 (24x80), 3279-3 (32x80), 3279-4 (43x80), 3279-5 (27x132), 3287-1

Technical Specifications

IBM5250	5291-1, 5292-2, 5251-11, 3179-2, 3196-A1, 3180-2, 3477-FC (27x132), 3477-FG (24x80), 3486-BA, 3487-HA, 3487-HC, 3812-1
SCO Console	
Stratus V102	
TA6530	
TVI910	
TVI920	
TVI925	
TVI950	
TVI955	
VT52, VT100, VT100+, VT500 (7- or 8-bit)	VT100, VT101, VT102, VT125, VT131, VT132, M2200, VT220, VT240, VT320, VT340, VT420, VT510, VT520, VT525
VT HP220, VT UTF8	VT100, VT101, VT102, VT125, VT220, VT240, VT320, VT340, VT420, VT131, VT132, M2200, VT510, VT520, VT525
VT PCTerm	
Wyse PCTerm	
WY50	
WY50+	
Y60	

Environment-friendly Products and Approach

RoHS Compliance

Hewlett-Packard is committed to compliance with all applicable environmental laws and regulations, including the European Union Restriction of Hazardous Substances (RoHS) Directive. HP's goal is to exceed compliance obligations by meeting the requirements of the RoHS Directive on a worldwide basis. From July 1, 2006, RoHS substances will be virtually eliminated (virtually = to levels below legal limits) for all HP electronic products subject to the RoHS Directive, except where it is widely recognized that there is no technically feasible alternative (as indicated by an exemption under the EU RoHS Directive).

Material Usage

This product does not contain any of the following substances in excess of regulatory limits (refer to the HP General Specification for the Environment at: http://www.hp.com/hpinfo/globalcitizenship/environment/supplychain/gen_specifications.html):

- Asbestos
- Certain Azo Colorants
- Certain Brominated Flame Retardants - may not be used as flame retardants in plastics
- Cadmium
- Chlorinated Hydrocarbons
- Chlorinated Paraffins
- Formaldehyde
- Halogenated Diphenyl Methanes
- Lead carbonates and sulfates
- Lead and Lead compounds
- Mercuric Oxide Batteries
- Nickel - finishes must not be used on the external surface designed to be frequently handled or carried by the user.

Technical Specifications

	<ul style="list-style-type: none">● Ozone Depleting Substances● Polybrominated Biphenyls (PBBs)● Polybrominated Biphenyl Ethers (PBBEs)● Polybrominated Biphenyl Oxides (PBBOs)● Polychlorinated Biphenyl (PCB)● Polychlorinated Terphenyls (PCT)● Polyvinyl Chloride (PVC) - except for wires and cables, and certain retail packaging has been voluntarily removed from most applications.● Radioactive Substances● Tributyl Tin (TBT), Triphenyl Tin (TPT), Tributyl Tin Oxide (TBTO)
Packaging	<p>HP follows these guidelines to decrease the environmental impact of product packaging:</p> <ul style="list-style-type: none">● Eliminate the use of heavy metals such as lead, chromium, mercury and cadmium in packaging materials.● Eliminate the use of ozone-depleting substances (ODS) in packaging materials.● Design packaging materials for ease of disassembly.● Maximize the use of post-consumer recycled content materials in packaging materials.● Use readily recyclable packaging materials such as paper and corrugated materials.● Reduce size and weight of packages to improve transportation fuel efficiency.● Plastic packaging materials are marked according to ISO 11469 and DIN 6120 standards.
End-of-life Management and Recycling	<p>Hewlett-Packard offers end-of-life HP product return and recycling programs in many geographic areas. To recycle your product, please go to: http://www.hp.com/recycle or contact your nearest HP sales office. Products returned to HP will be recycled, recovered or disposed of in a responsible manner.</p> <p>The EU WEEE directive (2002/95/EC) requires manufacturers to provide treatment information for each product type for use by treatment facilities. This information (product disassembly instructions) is posted on the Hewlett Packard web site at: http://www.hp.com/go/recyclers. These instructions may be used by recyclers and other WEEE treatment facilities as well as HP OEM customers who integrate and re-sell HP equipment.</p>
Hewlett-Packard Corporate Environmental Information	<p>For more information about HP's commitment to the environment: [link to new HP white paper now in progress] Global Citizenship Report: http://www.hp.com/hpinfo/globalcitizenship/gcreport/index.html Eco-label certifications: http://www.hp.com/hpinfo/globalcitizenship/environment/productdesign/ecolabels.html ISO 14001 certificates: http://www.hp.com/hpinfo/globalcitizenship/environment/operations/envmanagement.html</p>

Technical Specifications

© 2009 Hewlett-Packard Development Company, L.P.

Microsoft and Windows are trademarks of the Microsoft Group of Companies. AMD and Sempron are trademarks of Advanced Micro Devices, Inc.

The information contained herein is subject to change without notice and is provided "as is" without warranty of any kind. The warranties for HP products and services are set forth in the express limited warranty statements accompanying such products and services. Nothing herein should be construed as constituting an additional warranty. HP shall not be liable for technical or editorial errors or omissions contained herein.