

Overview

Models

2013 HP UltraSlim Docking Station *New!*

HP UltraSlim Docking Station

HP 2570p Docking Station

HP 2740 Ultra-Slim Expansion Base

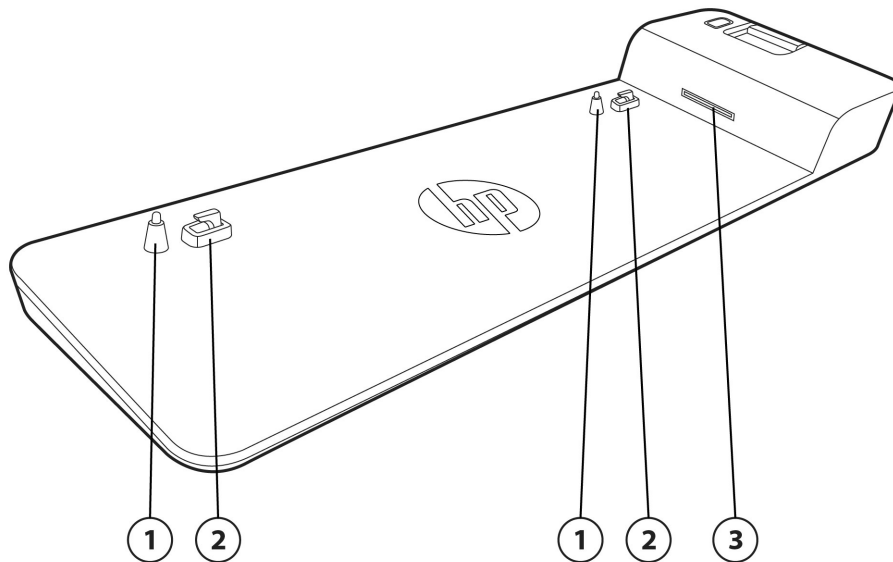
D9Y32AA

B9C87AA

A9B77AA

WA995AA

2013 HP UltraSlim Docking Station – Front side

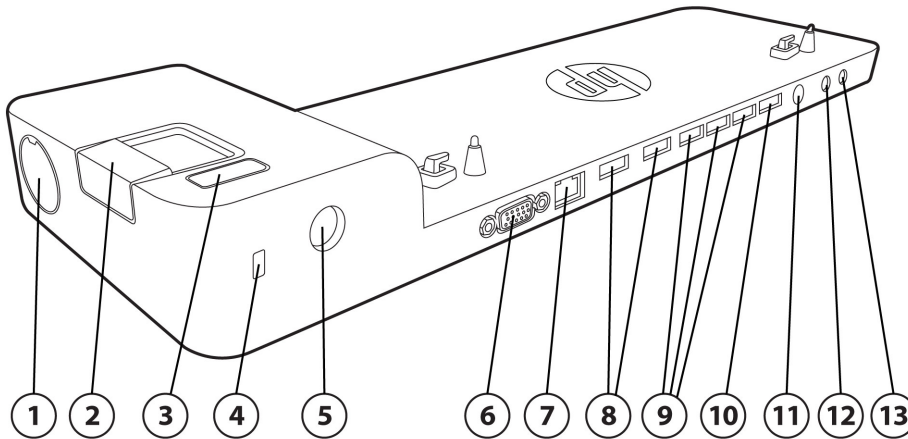


1. Docking posts
2. Locking mechanism (lock not included)

3. Side docking connector

Overview

2013 HP UltraSlim Docking Station – Rear side



- | | |
|--|-------------------------------|
| 1. Docking station cable lock slot (lock not included) | 8. DisplayPort 1.2 (2) |
| 2. Connection button | 9. USB 3.0 ports (3) |
| 3. Power on/off | 10. USB 3.0 charging port (1) |
| 4. Lock slot (lock not included) | 11. Power connector |
| 5. Docking station cable lock slot (lock not included) | 12. Line in jack |
| 6. VGA port | 13. Line out jack |
| 7. LAN/Ethernet port | |

Overview

2013 HP UltraSlim Docking Station - D9Y32AA#XX

Front Components

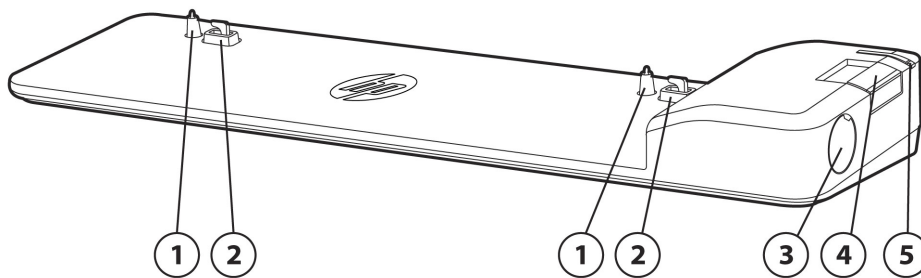
Docking posts (2)	Align and secure the computer for proper connection to the docking station
Computer connect/ release mechanisms (2)	Connect and release the computer when you press the connection button
Docking connector	Docking connector for notebook
Connect button	Secures and releases the computer Slide in to secure the computer Slide out to release the computer
LEDs	AC present: aqua white; Dock connected: white; two RJ45 LEDs: amber/green

Rear Components

AC power port	Energy-efficient 65W Smart AC adapter features integrated surge protection to help against power fluctuations.
Integrated cable lock slot	Supports the HP Docking Station Cable Lock with a simplified locking mechanism. Gives you two security options: lock the docking station only (which also prevents access to the Station drive bay); or lock both the docking station and your notebook for additional security. Also supports an industry standard notebook lock.
Network connectors	RJ-45 / Ethernet pass thru
USB ports	3 USB 3.0 ports, 1 USB 3.0 charging port
Audio connectors	Line-In; Line-Out
Other connectors	VGA, DisplayPort 1.1a (DP 1.2 capable)

NOTE: Your computer, docking station, and monitor must all support USB 3.0 and DisplayPort 1.2 to benefit from the advanced speeds or features that these technologies provide. If one of the devices does not support these technologies, you will still have USB 2.0 and DisplayPort 1.1 functionality.

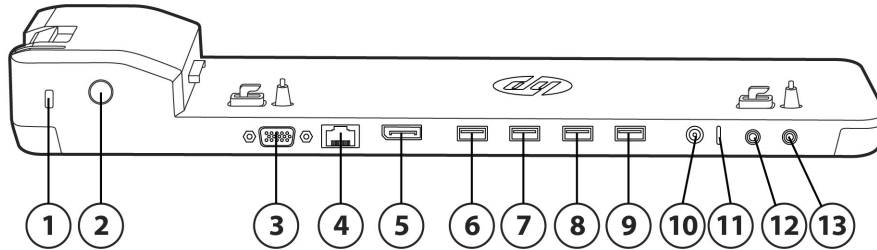
HP UltraSlim Docking Station – Front side



1. Docking posts
2. Locking mechanism (lock not included)
3. HP Dock Station Cable Lock slot (Lock not included)
4. Connect button
5. Connect light

Overview

HP UltraSlim Docking Station – Rear side



- | | |
|--|--|
| 1. Lock slot (lock not included) | 8. USB 3.0 port |
| 2. HP Dock Station Cable Lock slot (Lock not included) | 9. Powered USB 3.0 port |
| 3. VGA port | 10. Power connector |
| 4. LAN/Ethernet jack | 11. Power in LED (indicates docking station is plugged in) |
| 5. DisplayPort 1.1a (1.2 capable) | 12. Line in jack |
| 6. USB 3.0 port | 13. Line out jack |
| 7. USB 3.0 port | |

HP UltraSlim Docking Station

Front Components

Docking posts (2)	Align and secure the computer for proper connection to the docking station
Computer connect/ release mechanisms (2)	Connect and release the computer when you press the connect button
Docking connector	Docking connector for notebook
Connect button	Secures and releases the computer Slide in to secure the computer Slide out to release the computer
LEDs	AC present: aqua white; Dock connected: white; two RJ45 LEDs: amber/green

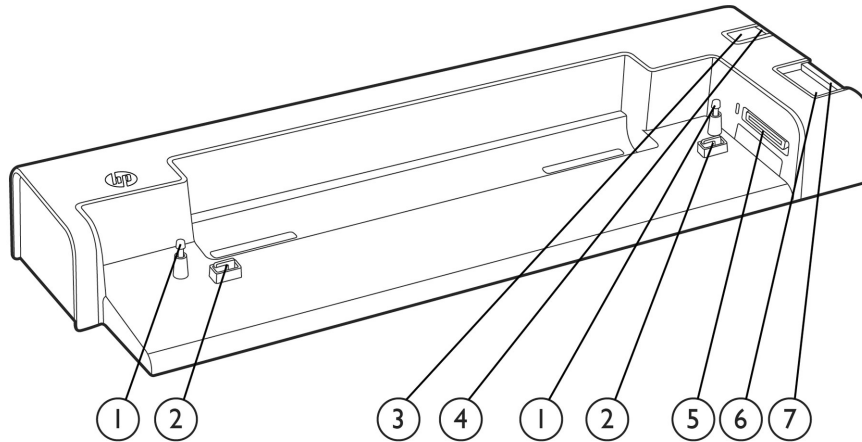
Rear Components

AC power port	Energy-efficient 65W Smart AC adapter features integrated surge protection to help against power fluctuations.
Integrated cable lock slot	Supports the HP Docking Station Cable Lock with a simplified locking mechanism. Gives you two security options: lock the docking station only (which also prevents access to the Station drive bay); or lock both the docking station and your notebook for additional security. Also supports an industry standard notebook lock.
Network connectors	RJ-45 / Ethernet pass thru
USB ports	3 USB 3.0 ports, 1 USB 3.0 charging port
Audio connectors	Line-In; Line-Out
Other connectors	VGA, DisplayPort 1.1a (DP 1.2 capable)

NOTE: Your computer, docking station, and monitor must all support USB 3.0 and DisplayPort 1.2 to benefit from the advanced speeds or features that these technologies provide. If one of the devices does not support these technologies, you will still have USB 2.0 and DisplayPort 1.1 functionality.

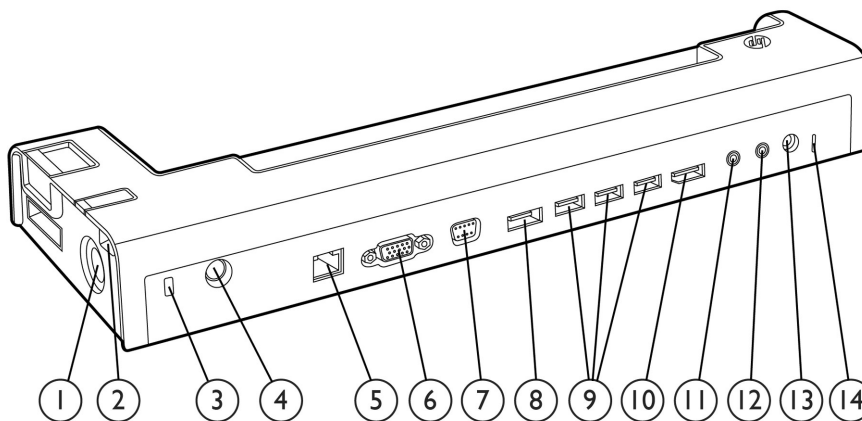
Overview

HP 2570p Docking Station



- | | |
|--|----------------------|
| 1. Docking posts | 5. Docking connector |
| 2. Computer connect/release mechanisms | 6. Connect button |
| 3. Power button | 7. Connect light |
| 4. Computer power light | |

HP 2570p Docking Station Rear/Right Side



- | | |
|--------------------------------|--|
| 1. HP Lock (Lock not included) | 8. eSATA port |
| 2. Powered USB 2.0 port | 9. USB 3.0 ports (3) |
| 3. Security lock slot | 10. DisplayPort 1.2 |
| 4. HP Lock slot | 11. Audio-in jack |
| 5. LAN/Ethernet jack | 12. Audio-out jack |
| 6. VGA port | 13. Power connector |
| 7. Monitor stand port | 14. Power in LED (indicates docking station is plugged in) |

Overview

HP 2570p Docking Station

Front Components

Docking posts (2)	Align and secure the computer for proper connection to the docking station
Computer connect/ release mechanisms (2)	Connect and release the computer when you press the connect button
Power button	Turns on the power to the computer
Computer power light	Light on: docked computer is turned on Light blinking: docked computer is in standby mode
Docking connector	Connects the computer to the docking station
Connect button	Secures and releases the computer Slide in to secure the computer Slide out to release the computer
Connect light	On: a computer is fully docked

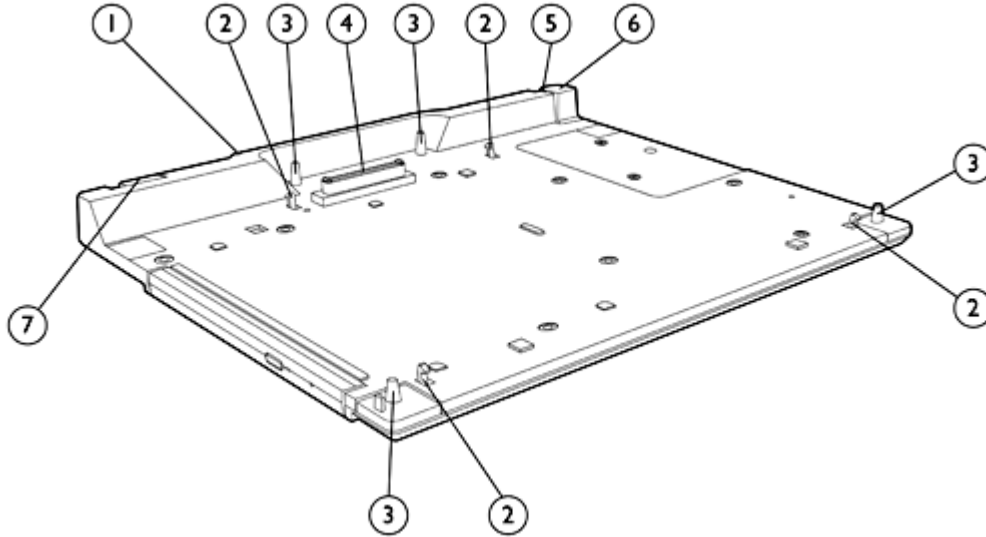
Rear/Right-Side Components

AC power port	Energy-efficient 65W Smart AC adapter features integrated surge protection to help against power fluctuations.
Powered USB 2.0 port	One; allows you to connect to select USB devices
USB 3.0 ports	Three, allow you to connect to standard USB devices.
Integrated cable lock slot	Supports the HP Docking Station Cable Lock with a simplified locking mechanism. Gives you two security options: lock the docking station only (which also prevents access to the Station drive bay); or lock both the docking station and your notebook for additional security. Also supports an industry standard notebook lock.
Network connectors	Ethernet ports
USB ports	3 USB 3.0 ports, 1 powered USB 2.0 port
Audio connectors	Audio in, audio out (does not support mic out)
Other connectors	Monitor stand power, VGA, DisplayPort 1.2, eSATA

NOTE: Your computer, docking station, and monitor must all support USB 3.0 and DisplayPort 1.2 to benefit from the advanced speeds or features that these technologies provide. If one of the devices does not support these technologies, you will still have USB 2.0 and DisplayPort 1.1 functionality.

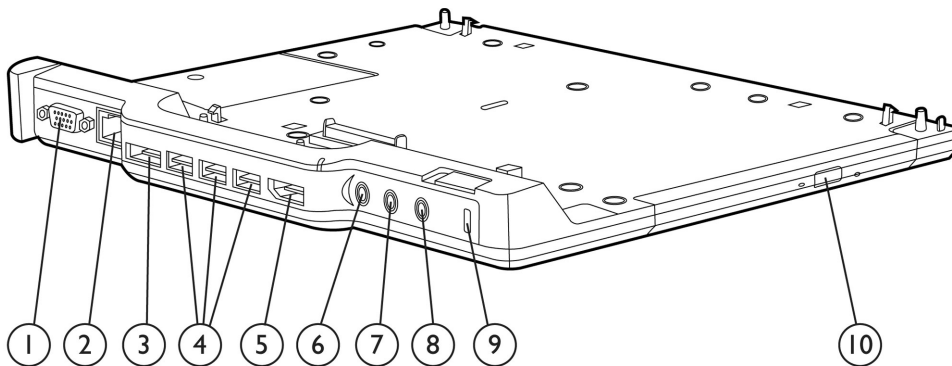
HP 2740 Ultra-Slim Expansion Base

Overview



- | | |
|--|--------------------------------|
| 1. AC power connect light | 5. Connection light |
| 2. Computer connect/release mechanisms | 6. Connection latch |
| 3. Docking posts | 7. Cable lock selection slider |
| 4. Docking connector | |

HP 2740 Ultra-Slim Expansion Base Rear/Right Side



- | | |
|----------------------|-----------------------|
| 1. VGA port | 6. Audio-in jack |
| 2. LAN/Ethernet port | 7. Audio-out jack |
| 3. eSATA port | 8. Power connector |
| 4. USB 2.0 ports (3) | 9. Notebook lock slot |
| 5. DisplayPort 1.1 | 10. Optical drive |

Overview

HP 2740 Ultra-Slim Expansion Base

Top Components

Docking posts (2)	Align and secure the computer for proper connection to the docking station
Computer connect/ release mechanisms (2)	Connect and release the computer when you press the connect button
Docking connector	Docking connector for notebook or travel battery
Connect button	Secures and releases the computer Slide in to secure the computer Slide out to release the computer
LEDs	AC present: aqua white; Dock connected: blue; two RJ45 LEDs: amber/green

Rear/Right-Side Components

AC power port	Energy-efficient 65W Smart AC adapter features integrated surge protection to help against power fluctuations.
Optical drive	9.5mm PATA DVD +/-RW Optical drive
Integrated cable lock slot	Supports the HP Docking Station Cable Lock with a simplified locking mechanism. Gives you two security options: lock the docking station only (which also prevents access to the Station drive bay); or lock both the docking station and your notebook for additional security. Also supports an industry standard notebook lock.
Network connectors	RJ-45 / Ethernet pass thru
USB ports	3 USB 2.0 ports
Audio connectors	Headphone output (stereo); microphone input (stereo)
Other connectors	VGA, DisplayPort 1.1, eSATA

Technical Specifications

	2013 HP UltraSlim Docking Station	HP UltraSlim Docking Station
Dimensions (H x W x D)	1.7 x 14.5 x 4.2 in (4.4 x 36.8x 10.7 cm)	1.7 x 14.5 x 4.2 in (4.4 x 36.8x 10.7 cm)
Weight	1.69 lb (0.76 kg)	1.69 lb (0.76 kg)
Stand-alone power requirements		
Normal Operating Voltage	18.5 V	
Average Operating Power	18.5 W	
Max Operating Power	< 65 W	
Temperature		
Operating	32° to 95° F (0° to 35° C)	
Non-operating	4° to 140° F (-20° to 60° C)	
Relative humidity		
Operating	10% to 90%, non-condensing	
Non-operating	5% to 95%, 101.6° F (38.7° C) maximum wet bulb temperature	
Altitude		
Operating	-50 to 10,000 ft (-15.24 to 3,048 m)	
Non-operating	-50 to 40,000 ft (-15.24 to 12,192 m)	
Shock		
Operating	125 G, 2 ms, half-sine	
Non-operating	200 G, 2 ms, half-sine	
Random vibration		
Operating	0.75 grms	
Non-operating	1.50 grms	
Option Kit Contents	2013 HP UltraSlim Docking Station, AC power adapter, documentation	HP UltraSlim Docking Station AC power adapter, documentation

	HP 2570p Docking Station	HP 2740 Ultra-Slim Expansion Base
Dimensions (H x W x D)	2.0 x 14.1 x 4.8 in (5.1 x 35.9 x 12.1 cm)	0.5 x 9.06 x 10.5 in (1.27 x 2.3 x 2.69 cm)
Weight	2.04 lb (0.93 kg)	1.73 lb (0.79kg)
Stand-alone power requirements		
Normal Operating Voltage	18.5 V	
Average Operating Power	18.5 W	
Max Operating Power	< 65 W	
Temperature		
Operating	32° to 95° F (0° to 35° C)	
Non-operating	4° to 140° F (-20° to 60° C)	
Relative humidity		
Operating	10% to 90%, non-condensing	
Non-operating	5% to 95%, 101.6° F (38.7° C) maximum wet bulb temperature	

Technical Specifications

Altitude

Operating	-50 to 10,000 ft (-15.24 to 3,048 m)
Non-operating	-50 to 40,000 ft (-15.24 to 12,192 m)

Shock

Operating	125 G, 2 ms, half-sine
Non-operating	200 G, 2 ms, half-sine

Random vibration

Operating	0.75 grms
Non-operating	1.50 grms

Option Kit Contents

HP 2570p Docking Station, AC power adapter, documentation	HP 2740 Ultra-Slim Expansion Base, AC power adapter, documentation
---	--

Compatibility

HP Ultra-light Docking Stations are compatible with HP EliteBook Notebook and Tablet PCs as follows:

Docking Station

2013 HP UltraSlim Docking Station

HP UltraSlim Docking Station

HP 2570p Docking Station

HP 2740 Ultra-Slim Expansion Base

Compatible Notebooks

HP Elitebook 825 G2, 820 G1, 845 G2, 850 G2, 840 G1, 850 G1, 1040

HP EliteBook Folio 9480m, 9470m

HP EliteBook Revolve 810 G1, 810 G2

HP ProBook x2 620 G1

HP ZBook 14

HP EliteBook Folio 9470m Notebook PC

HP EliteBook 2540p, 2560p, and 2570p Notebook PC¹

HP EliteBook 2740p and 2760p Tablet PC

NOTE: Your computer, docking station, and monitor must all support USB 3.0 and DisplayPort 1.2 to benefit from the advanced speeds or features that these technologies provide. If one of the devices does not support these technologies, you will still have USB 2.0 and DisplayPort 1.1 functionality.

Service and Support

HP Ultra-light Docking Stations are supported by a one-year limited warranty. Additional support is available 24 hours a day, seven days a week by phone as well as online support forums.

NOTE: Certain restrictions and exclusions apply. Consult the HP Customer Support Center for details.

¹ The combination of the HP EliteBook 2540p Notebook PC with the HP 2570p Docking Station may result in a limited functionality of some of the docking station's connectors.

© Copyright 2014 Hewlett-Packard Development Company, L.P.

The information contained herein is subject to change without notice. The only warranties for HP products and services are set forth in the express warranty statements accompanying such products and services. Nothing herein should be construed as constituting an additional warranty. HP shall not be liable for technical or editorial errors or omissions contained herein.