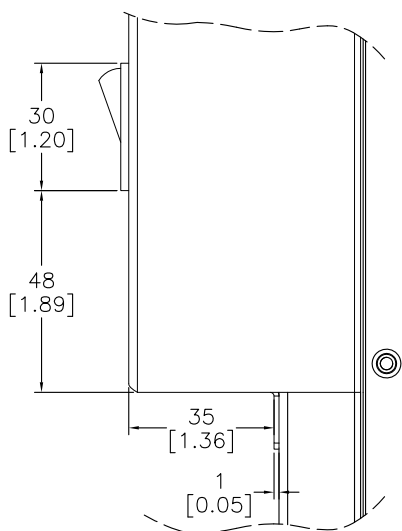
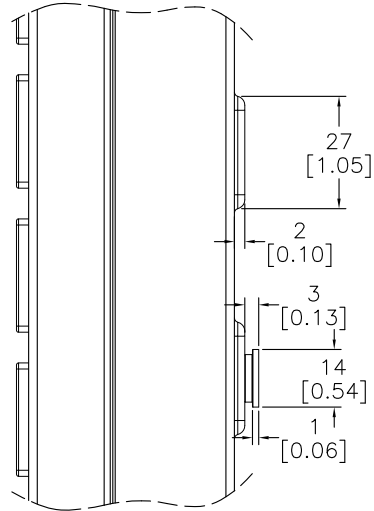


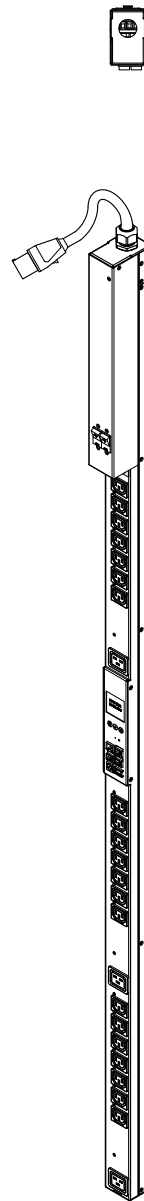
DETAIL A  
(IEC 309 32A 2P+E PLUG-ENLARGED)



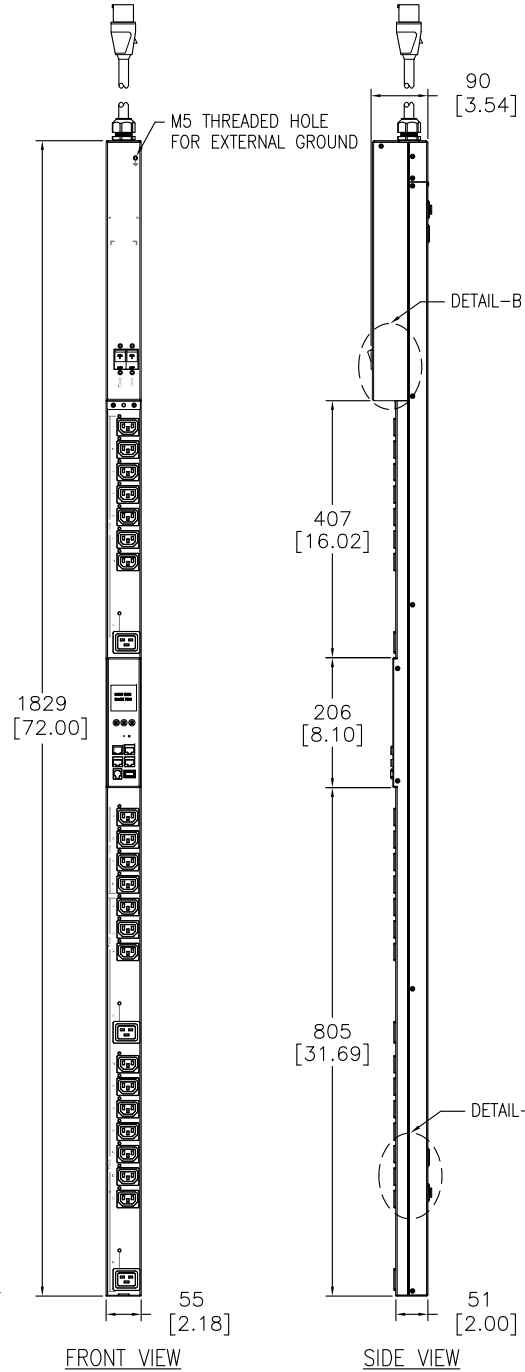
DETAIL-B



DETAIL-C

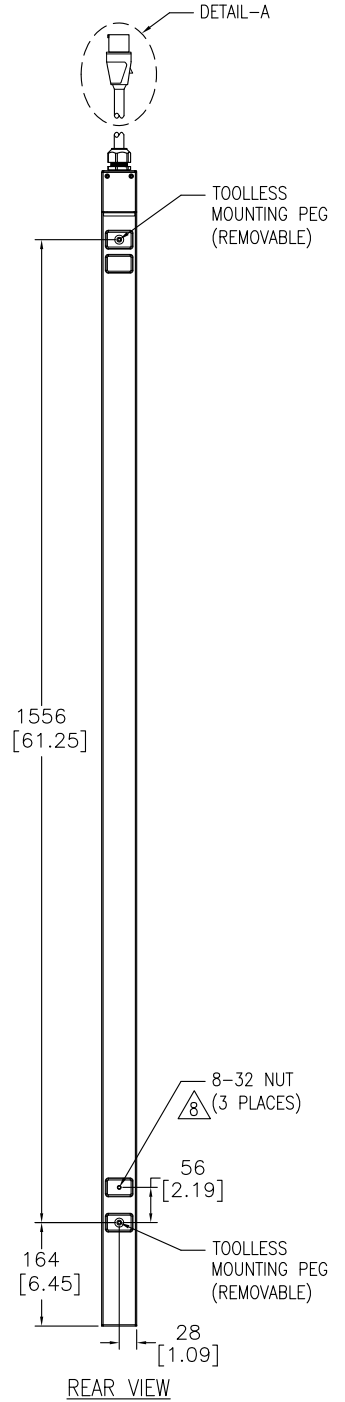


ISOMETRIC VIEW



FRONT VIEW

SIDE VIEW



REAR VIEW

NOTES:

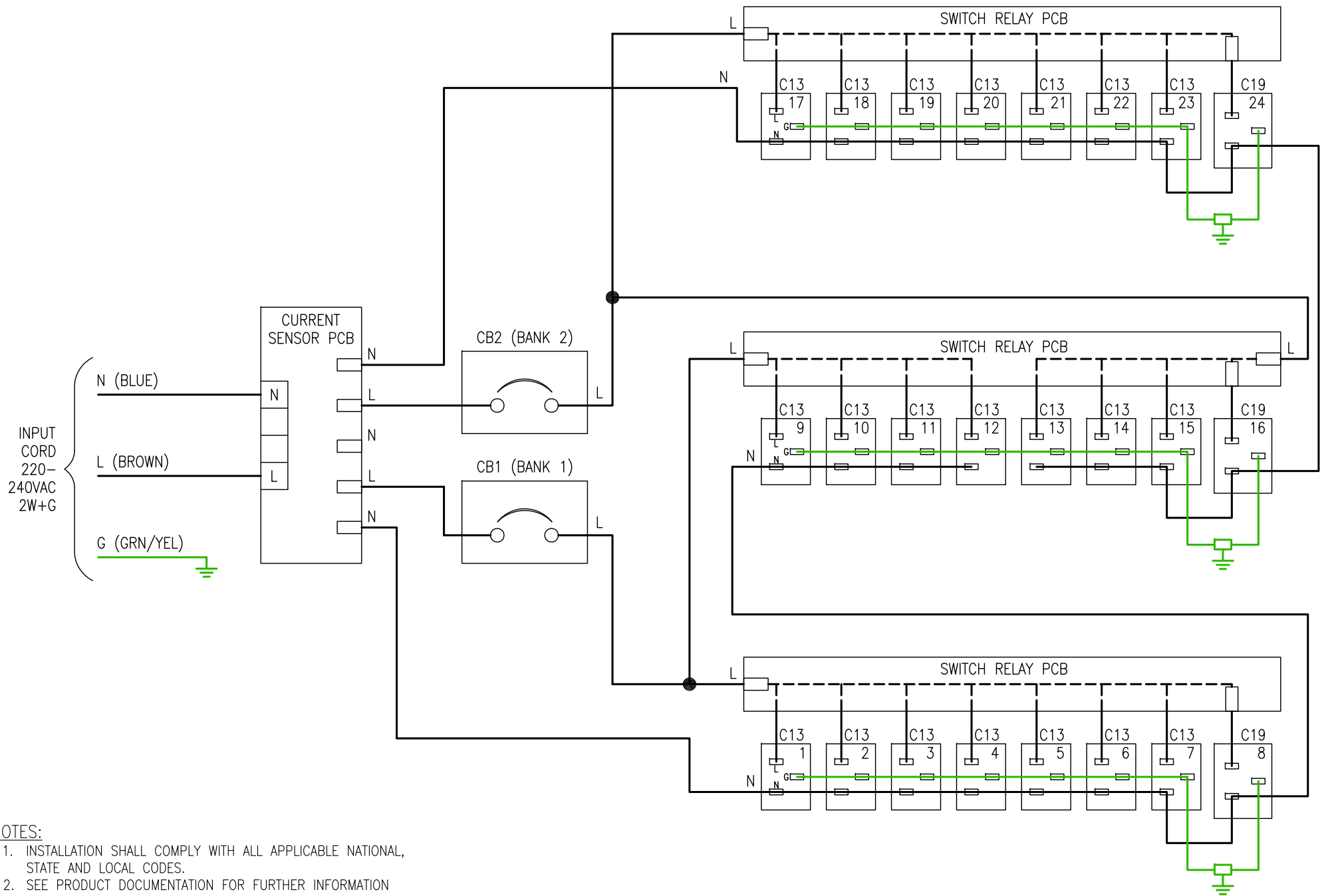
1. INSTALLATION SHALL COMPLY WITH ALL APPLICABLE NATIONAL, STATE AND LOCAL CODES.
  2. SEE PRODUCT DOCUMENTATION FOR FURTHER INFORMATION
  3. UNLESS OTHERWISE SPECIFIED, ALL DIMENSIONS ARE IN MILLIMETERS[INCHES].
  4. NET WEIGHT OF UNIT IS 8.23KG [18.14LBS].
  5. LENGTH OF THE CORD IS 2740MM [107.87IN].
  6. UNIVERSAL MOUNTING BRACKET IS AN ALTERNATIVE MOUNTING METHOD TO THE TOOLLESS MOUNT FOR 3RD PARTY ENCLOSURES. BRACKET IS PROVIDED WITH THE UNIT. DETAILED INSTALLATION INSTRUCTIONS CAN BE FOUND IN THE PROVIDED DOCUMENTATION.
  7. BRACKET KITS TO MOUNT TO SPECIFIC 3RD PARTY ENCLOSURES ARE AVAILABLE AS OPTIONS.
- △8. REFER TO WARNING LABEL ON REAR OF UNIT FOR SCREW MOUNTING.

THIS DRAWING AND SPECIFICATIONS HEREIN ARE THE PROPERTY OF SCHNEIDER ELECTRIC AND SHALL NOT BE COPIED, REPRODUCED OR USED IN WHOLE OR IN PART, AS THE BASIS FOR THE MANUFACTURE OR SALE OF ITEMS WITHOUT WRITTEN PERMISSION FROM SCHNEIDER ELECTRIC. THIS DRAWING IS BASED UPON LATEST AVAILABLE INFORMATION AND IS SUBJECT TO CHANGE WITHOUT NOTICE.



TITLE: RACK\_PDU 2G, SWITCHED PLUS  
ZERO U\_32A 230VAC  
INPUT: IEC 32A 2P+E  
OUTPUT: (21)IEC 320 C13, (5)IEC 320 C19  
MAIN MECHANICAL  
PROJECT: STD SUBMITTAL DRAWINGS SHEET 1 OF 2

DWG NO:	AP8653		REV.	1
DRAWN BY:	S CUNHA	04-APR-11	THIRD	ANGLE
ENGINEER:	K THOMAS/J KUMMER	04-APR-11	PROJ.	
APPROVED BY:	C LARSEN	04-APR-11		



**NOTES:**

1. INSTALLATION SHALL COMPLY WITH ALL APPLICABLE NATIONAL, STATE AND LOCAL CODES.
2. SEE PRODUCT DOCUMENTATION FOR FURTHER INFORMATION
3. THIS DRAWING DEPICTS THE POWER SYSTEM CONNECTIONS AND IS NOT REPRESENTATIVE OF THE PHYSICAL LAYOUT. PLEASE REFER TO MECHANICAL DRAWINGS FOR PHYSICAL LAYOUT.
4. OUTLETS 1-12 ARE CONNECTED TO CB1.  
OUTLETS 13-24 ARE CONNECTED TO CB2.

THIS DRAWING AND SPECIFICATIONS HEREIN ARE THE PROPERTY OF SCHNEIDER ELECTRIC AND SHALL NOT BE COPIED, REPRODUCED OR USED IN WHOLE OR IN PART, AS THE BASIS FOR THE MANUFACTURE OR SALE OF ITEMS WITHOUT WRITTEN PERMISSION FROM SCHNEIDER ELECTRIC. THIS DRAWING IS BASED UPON LATEST AVAILABLE INFORMATION AND IS SUBJECT TO CHANGE WITHOUT NOTICE.



TITLE: RACK PDU 2G, SWITCHED PLUS  
 ZERO U, 32A 230VAC  
 INPUT: IEC 32A 2P+E  
 OUTPUT: (21)IEC 320 C13, (5)IEC 320 C19  
 ELECTRICAL SCHEMATIC  
 PROJECT: STD SUBMITTAL DRAWINGS SHEET 2 OF 2

DWG NO:	AP8653		REV:	0
DRAWN BY:	S CUNHA	17-FEB-11	PROJ.	ANGLE
ENGINEER:	K THOMAS	17-FEB-11		
APPROVED BY:	C LARSEN	17-FEB-11		N/A