

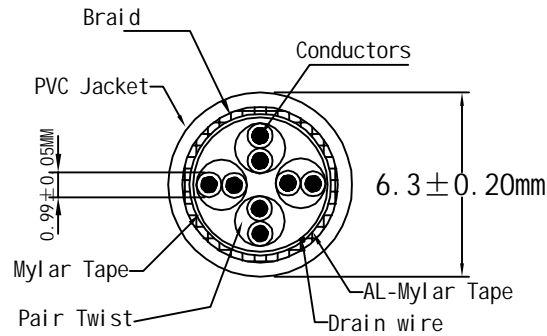
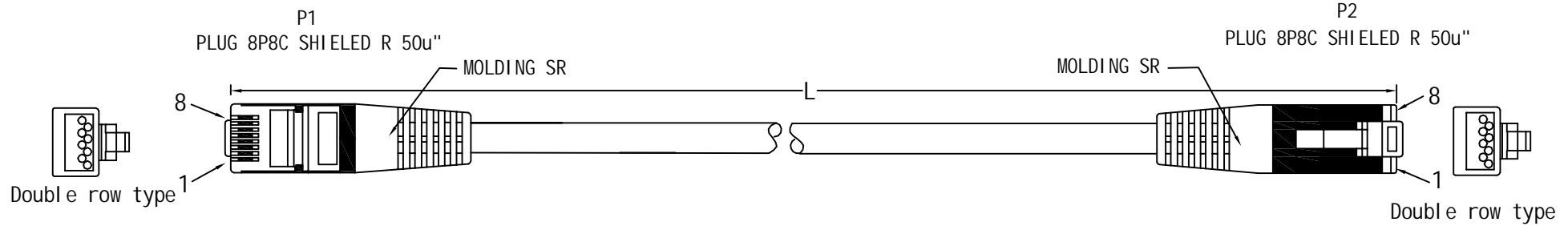
Customer

020

Customer P/N:

STP6XXX-LSZH

Rev.	NO.	Description	Date



WIRING: 568B

P1	COLOR	P2
1	WH-OR	1
2	ORANGE	2
3	WH-GR	3
4	GREEN	6
5	BLUE	4
6	WH-BL	5
7	WH-BR	7
8	BROWN	8

Drain wire To Drain wire
NOTE: ∞ TWISTED PAIR

SPECIFICATION:

- CABLE: 1. COMPONENT:
- A. Size of conductors : CAT6 S-STP 24AWG (0.2*7) stranded round cable.
 - B. Color coded insulation : (P.P) white/orange-orange, white/green-green, white/blue-blue, white/brown-brown.
 - C. Diameter of electric : 1.05 ± 0.05mm.
 - D. UL style no. of single : (30v, 75° c).
 - E. Plenum Shield : Mylar Tape, Drain Wire, AL-Mylar Tape, DIVIDER.
 - F. Number of twist pairs : Four pairs.

- TEST: 1. OPEN/SHORT/INTERMITTENCE: 100%TEST.
2. INSULATION RESISTANCE: 300V/0.01S DC 10M Ω. (MIN)
3. COUDUCTIVE RESISTANCE: 2 Ω. (MAX)

2. JACKET MATERIAL. : HALOGEN FREE(LZSH)
- A. Overall diameter : Ave 6.3 ± 0.20mm
 - B. Color. : BK# BU20-01# RD20-01# GN20-01# YL20-01# GY127# WH20-01# OR20-01#
- PLUG: 1. TYPE : Modular U.S. Double Row Shielded F type 8p8c golden plate 50u".
2. MATERIAL : PC UL 94v-2
- S.R: 1. TYPE : MOLDING SR(BK# BU20-01# RD20-01# GN20-01# YL20-01# GY127# WH20-01# OR20-01#)
2. MATERIAL : PVC75P

DESCRIPTION: SSTP CAT6 LZSH		Rev.	A/0	FILE NO.	TC020-Axxx		
		Page/No.	1/2	DAW NO.	Unit	Scale	Date
DRA BY	Chen li wei	CHK BY	APR BY	m/m	Free	05/24/06	

Customer

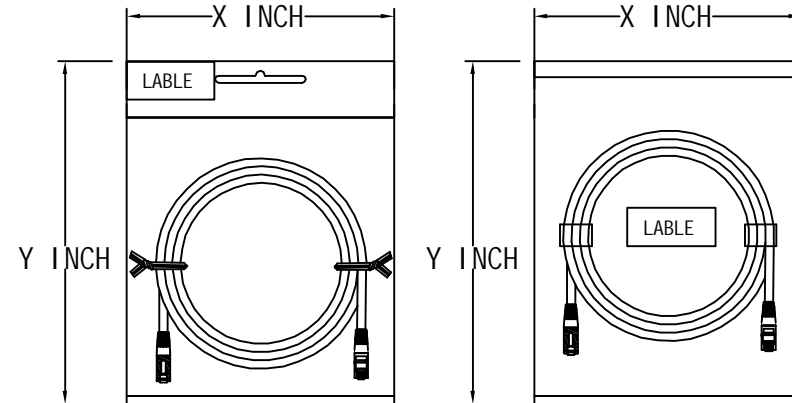
020

Customer P/N:

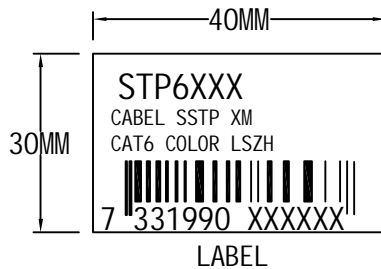
STP6XXXX-LSZH

Rev.	NO.	Description	Date

No.	L	X	Y	REEL LOOP	No.	L	X	Y	REEL LOOP	No.	L	X	Y	REEL LOOP
1	0.3M±10mm	5	7		6	5M ⁺⁶⁰ ₋₃₀ mm	7	9	12	11	25M ⁺¹²⁰ ₋₆₀ mm	10	14	51
2	0.5M±10mm	5	7	1	7	7M ⁺⁸⁰ ₋₄₀ mm	8	10	16	12	30M ⁺¹⁴⁰ ₋₇₀ mm	10	14	60
3	1M±20mm	5	7	2	8	10M ⁺⁸⁰ ₋₄₀ mm	8	10	23	13	40M ⁺¹⁶⁰ ₋₈₀ mm	10	16	75
4	2M±30mm	6	8	5	9	15M ⁺⁹⁰ ₋₄₅ mm	10	14	35	14	50M ⁺¹⁸⁰ ₋₉₀ mm	13	14	89
5	3M ⁺⁴⁰ ₋₂₀ mm	6	8	8	10	20M ⁺¹⁰⁰ ₋₅₀ mm	10	14	43					



25-50M NO CORD



LABEL

		FILE NO.				
		DAW NO.	TC020-Axxx			
DESCRIPTION: SSTP CAT6 LZSH		Rev.	A/0	Unit	Scale	Date
		Page/No.	2/2			
DRA BY	Chen li wei	CHK BY			APR BY	