

SR5650-4S-U3D equipped with dual SCSI Ultra 320 host interface and supports 4 SATA hard drives with RAID function. It also provides a featured design, 4 x eSATA interface for expansion purpose. The eSATA interface is able to collocate with a 4 bays external storage device (ex.ST5650-4S-S2) then the SR5650-4S-U3D will be upgraded as an high-end RAID subsystem that supports 8 (4+4) SATA HDDs. It can fulfill the requirement of high transfer rate, give the advantage of cost saving and allow you to back up data as simple as a local disk anytime, anywhere!



Efficient Transmission With Non-Lag

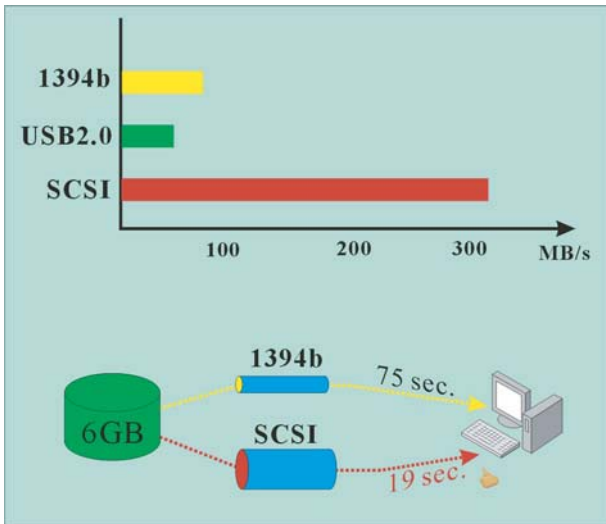
The dual SCSI channel with supporting SATA hard drive, the transferring efficiency is able to reach up to 320MB/s. Thus ensures you to have smoothly quality when you produce high definition audio/video materials or process digital data, and do not necessary to worry the operating efficiency be affected by transfer rate.

Dual Chain Appliance

The featured dual SCSI channel design not only supports dual chained but also allows you to share the SR5650-4S-U3D with two systems. You could set two volumes in one SR5650-4S-U3D as well for digital data storage / back up purpose by different data format or usage from an operating system. This is a quite efficient feature for data sharing and storage distribution.

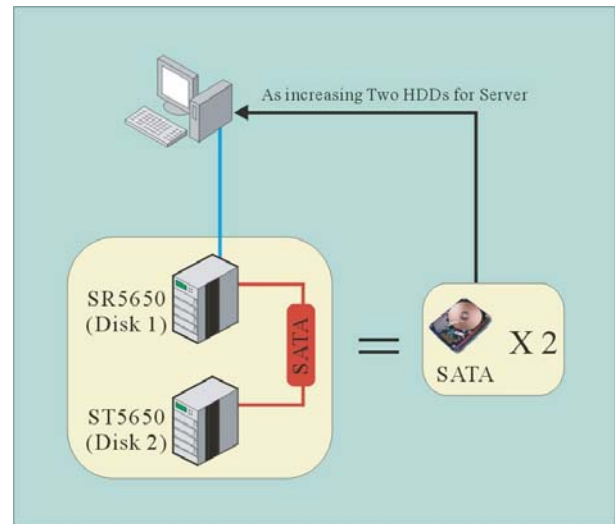
Why choose SR5650-4S-U3D?

High Transmission Efficiency



With dual SCSI Ultra 320 interface, the highest transfer rate is up to 320MB/s which more efficient than USB2.0 (56MB/s) and 1394b(80MB/s). It ensures non-lag of data sharing or file accessing. This unit is quite suitable for Audio & Video editor who required high transmission efficiency and large data transferred.

Storage Expanding Easily

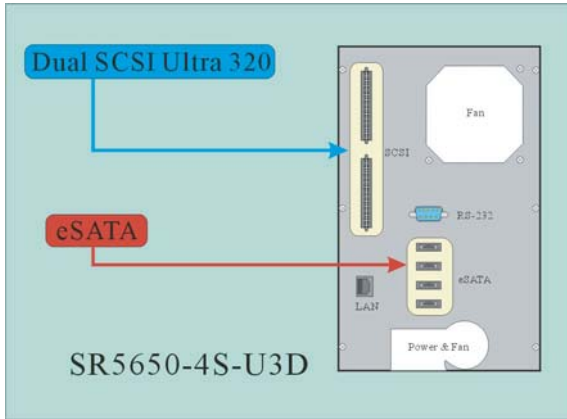


To have the advantage of chained SCSI, it can help to extend the storage space and also can collocate with ST5650-4S-S2 for capacity expansion. This unit is quite suitable for Audio & Video editor who required high transfer rate and big storage capacity!

Key Features

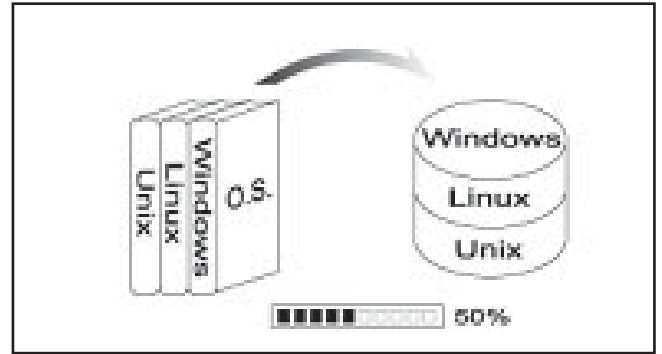
Dual Channel + 4 x eSATA Ports for expansion

To use dual SCSI Ultra 320 interface, it is not only to fulfill the requirement of capacity expansion but also convenient for sharing application. The featured eSATA port design could upgrade your storage space instantly as 8 big drives totally!



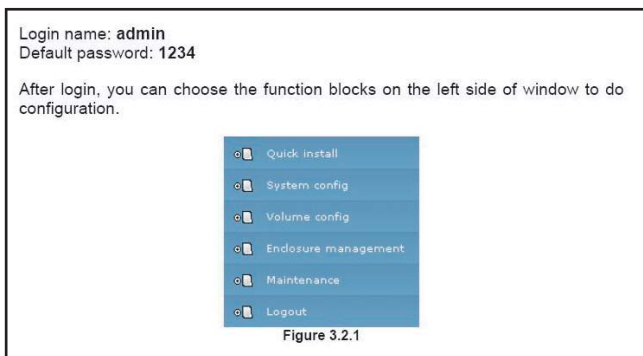
Online Auto-Rebuilding

The system will auto-rebuild the data by Hot-Spare or parity check after the HDD exchanged; it doesn't need any command or shut down the operating system.



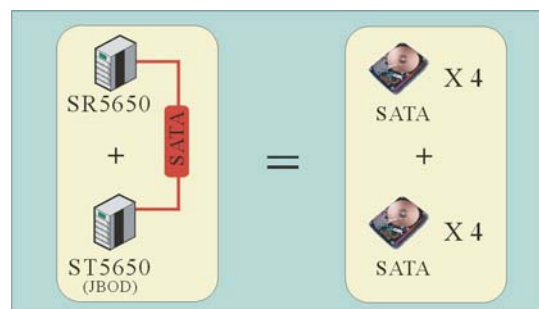
Web-based interface, Easy to operate

SR5650 allows you to set the RAID Level / H/W parameter and inspect the H/W status by Management UI through the WEB and Serial Port(RS-232) connection. A big disk space as be created for the server via iSCSI solution, it enables you to control the storage space more efficient and easily from server end.



Double Capacity, Security Upgradeable (8 Bays RAID)

Embedded with an 8 channels RAID controller inside which supports RAID level 0,1,3,5,10,30,50. The main unit provides 4 x SATA hard drive trays only, but it is able to connect with another one JBOD device by 4 x eSATA ports, then the system is going to turn into an 8 bays RAID subsystem. The featured design enables you no longer to worry about the storage capacity and security once your data increase rapidly, it even could help to save at least 1/2 purchasing cost!



Specification

Model No.	SR5650-4S-U3D
CPU	Intel 80331 64bit 500Mhz RISC processor
RAM	DDR 333 512MB
Host Interface	Dual SCSI Ultra 320
Driver Interface	SATA I / SATA II
Transfer Rate	320Mb/s
Hard Disk	4 ; Extends to 8 HDDs
RAID Level	0,1,0+1,3,5,6,10,30,50,60,JBOD
Support Hot-Swap	Yes
Largest Capacity	Over to 2TB
Fan	1x 40W Power Fan + 1x 8cm System Fan
Power Supply	Input:100V~240V Output:50~60Hz 200W
LED Display	Yes
System Inspection	Yes
Buzzer On/Off	Yes
Management UI	Web & VT-100
System Requirement	Windows 2000/2003 & Mac 10 & Linux 2.4 or above
Safety Guarantee	CE/FCC
Dimension (mm)	177W x 270D x 274H
Weight (kg)	7.4
Accessories	CD / User's Manual / AC Power Cable / Accessories bag / RS232 Cable

*The product specification may be changed and without notice.

Your Data Security Guardian



4F-8, No.16, Lane 609, Sec.5, Chung-Hsin Rd.,
San-Chung City, Taipei, Taiwan
<http://www.stardom.com.tw>
E-mail:sales1@raidon.com.tw
Tel:886-2-2278-9697
Fax:886-2-2278-9659



STARDOM is a registered trademark of RAIDON Technology Inc., Other brand names and product names are trademark or registered trademarks of their respective companies. This specification maybe changed without notice.