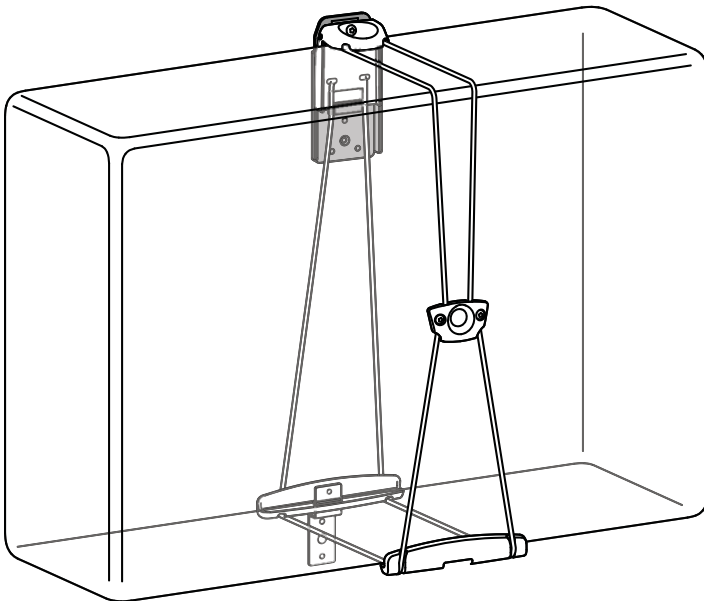


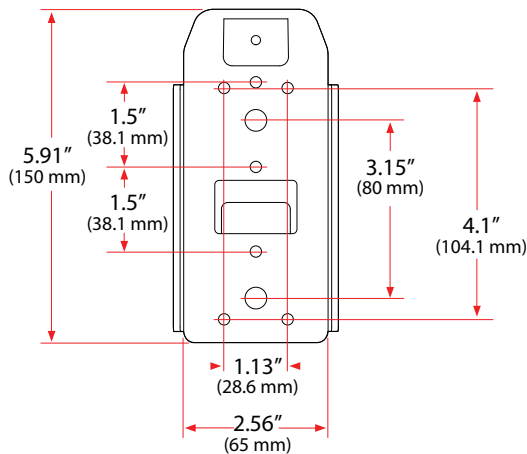
Universal CPU Holder



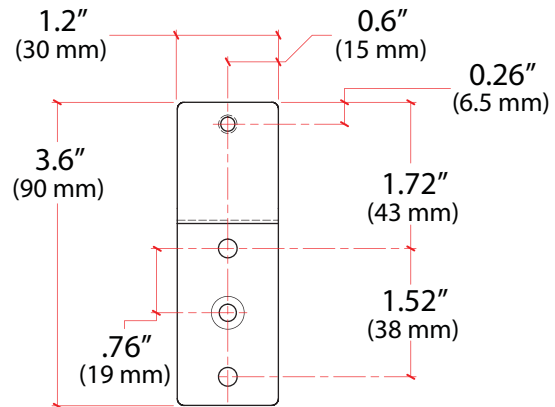
Overall dimensions vary based on the CPU dimensions

Weight Capacity: 50 lbs. (22.68 kg)
Maximum Size: 18" x 8.5" (457 x 216 mm)
Minimum Size: 9.4" x 2.6" (239 x 66 mm)

Top Bracket Dimensions



Bottom Bracket Dimensions



Americas Sales and Corporate Headquarters

St. Paul, MN USA
 (800) 888-8458
 +1-651-681-7600
www.ergotron.com
sales@ergotron.com

EMEA Sales

Amersfoort, The Netherlands
 +31 33 45 45 600
www.ergotron.com
info.eu@ergotron.com

APAC Sales

Tokyo, Japan
www.ergotron.com
apaccustomerservice@ergotron.com

Worldwide OEM Sales

www.ergotron.com
info.oem@ergotron.com

