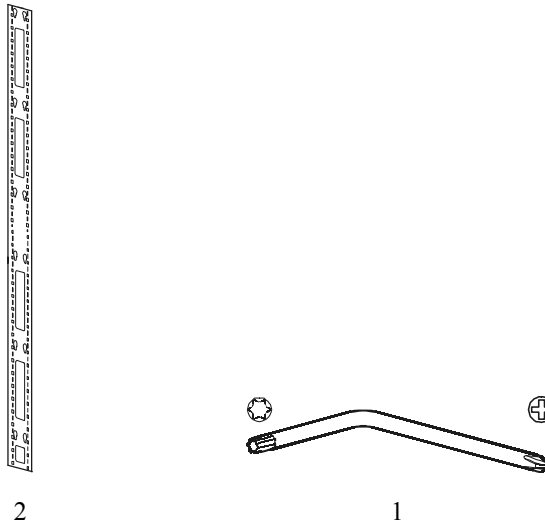


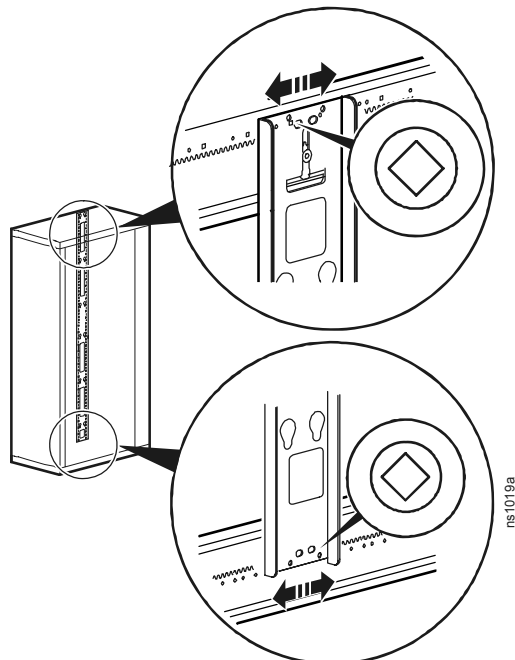
# NetShelter<sup>®</sup> SX Rear Cable Channel— Installation

## Inventory

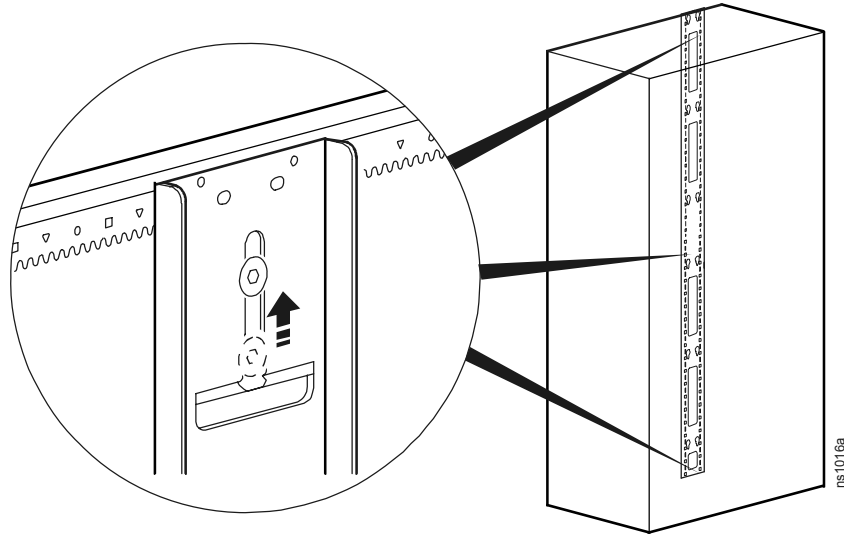


## Installation

1. Lift and set the rear cable channel onto the side braces of the enclosure, ensuring that the three hooks on the back of the rear cable channel hook onto the side braces of the enclosure.
2. Move the rear cable channel to the final location.
3. Align the rear cable channel so that the same symbols are visible through the holes at the top and bottom of the rear cable channel.



4. Push up the screw in the rear cable channel and tighten the screw to lock it into place.



Customer support and warranty information is available at the APC Web site, [www.apc.com](http://www.apc.com).

© 2007 American Power Conversion. All rights reserved. All APC trademarks are property of American Power Conversion. Other trademarks are property of their respective owners.

990-2243A-001  
07/2007

