

# Linea Tab Tension



## Screen Materials

### FlexWhite

Matt white surface with superb colour rendition and full HD compatibility. Gain 1,0



### ReAct II

Dark silver grey surface. Maximum contrast and colour rendition, even in ambient light environments. Peak gain of 1,1.



### FlexRear

The screen fabric has a grey rear projection surface. Only available as "No black borders". Gain 2,5.



## Projection Formats

**1 : 1**  
SQUARE  
The screen format is 1:1. No black borders.

**4 : 3**  
VIDEO  
The screen has 5 cm wide black borders. The format of the viewing area is 4:3.

**16 : 10**  
DATA  
The screen has 5 cm wide black borders. The format of the viewing area is 16:10.

**16 : 9**  
WIDE  
The screen has 5 cm wide black borders. The format of the viewing area is 16:9.

**2,35 : 1**  
CINEMASCOPE  
The screen has 5 cm wide black borders. The format of the viewing area is 2.35:1.

## Control Options

**RF Remote Control**  
The screen is operated by a 3-positions RF remote control.

**IR Remote Control**  
The screen is operated by a 3-positions IR remote control.

**AutoLink**  
The screen goes automatically down/up when turning the projector on/off.

**Contact Closure**  
The screen can be connected and controlled with contact closure.

**12V trigger**  
The screen can be controlled by 12V trigger signal.

The Linea Tab Tension cassette has a unique designed shape with no exposed mounting fixtures or fasteners. The cassette and bottom bar is in white finish and the screen retracts completely inside the case. Thanks to the tensioning wires, which are running along the screen surface edges, a fully flat screen can be obtained for many years of use. A perfect lay flat surface is today a requirement when using Short Throw projectors where the wide angled projector lens requires a lot more from the projection screens. The Linea Tab Tension is especially appreciated as a home theatre application and often used with a HD projector, therefore we strongly recommend it with the choice of the ReAct screen surface to gain maximum effect of both tensioning system and high contrast in the projected image.

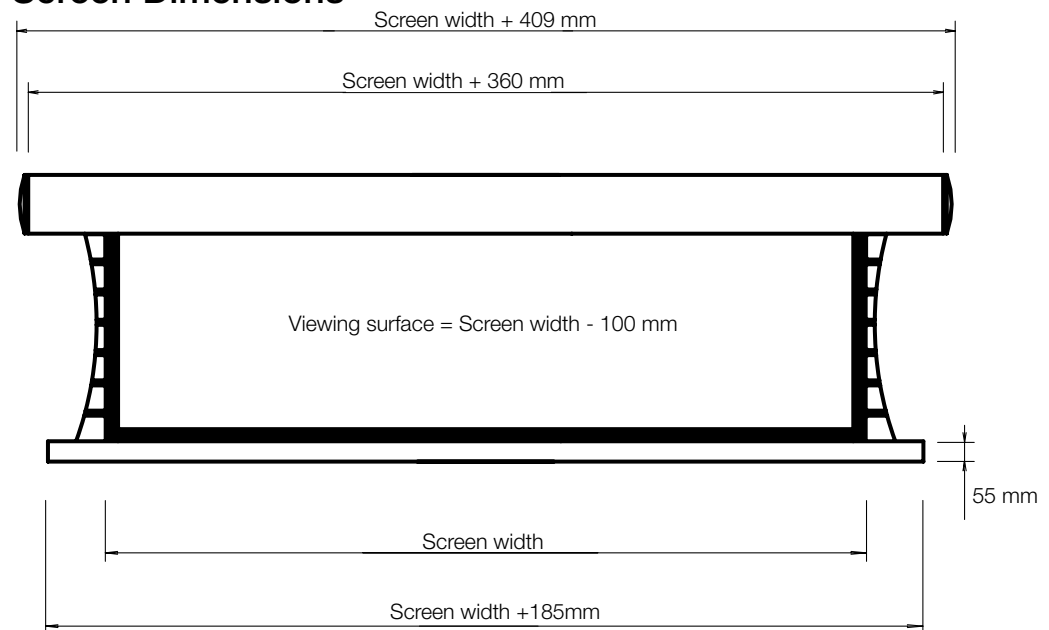
Delivered with multi functional control box and top drop of 30cm as standard.

"No borders" are standard on all rearprojection screens and available on request for the other surfaces. Screen delivered for wall mount, prepared for ceiling mount.

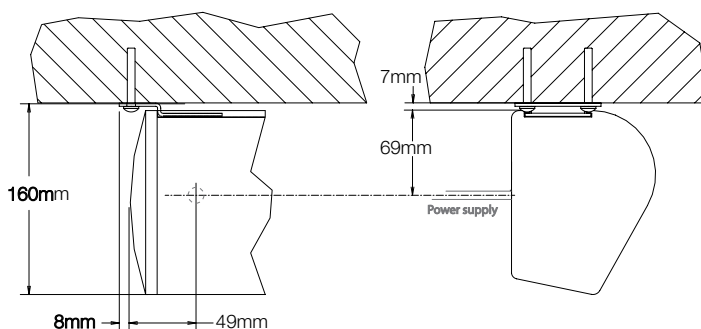
Ceiling mount requires rewiring. Motor to the left as standard. Quiet motor available upon request.

*Please note: The plastic surface is sensitive to heat. It is not suitable as black-out, or sunprotection. Do not install close to sources of heat like radiators, amplifiers or turned on TV-sets.*

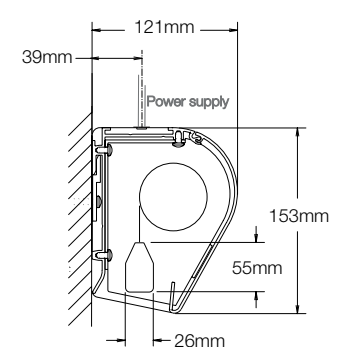
## Screen Dimensions



### Ceiling



### Wall



All dimensions in this document are in mm

# Electrical specifications

## Motor Specifications

Voltage: 220 V    Frequency: 50 Hz  
 Power: 200 W    Momentum: 30 Nm  
 Speed: 17 rpm    Protection: IP44

The motor is grounded

## Cable Specifications

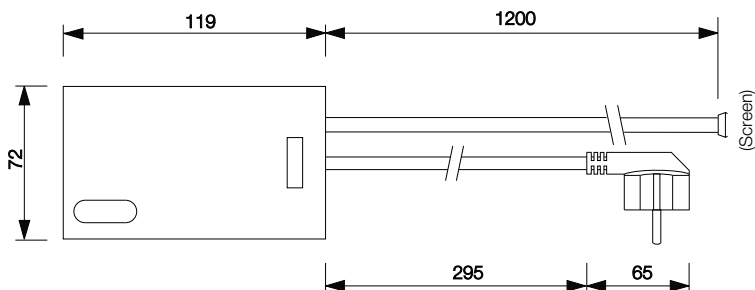
Thickness:  $\varnothing$  7 mm  
 Cable area to box:  $3 \times 0,75 \text{mm}^2$   
 Cable area from box:  $4 \times 0,5 \text{mm}^2$   
 Wires: Black - Up  
       Brown - Down  
       Blue - Neutral  
       Green/Yellow - Ground

## Control Box



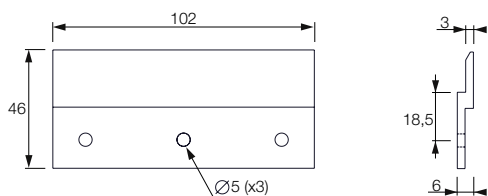
Communication – Manual / RF / IR / wired

Enclosed with screen.  
 Screen supplied with box only, demands manual operation.

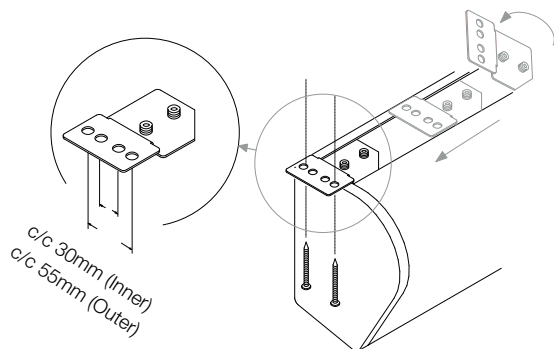


## Bracket Dimensions

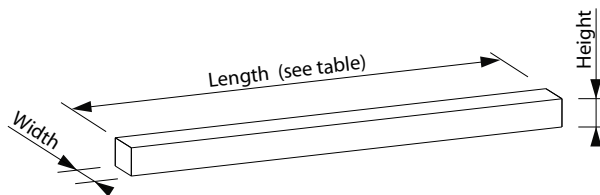
### Brackets – Wall



### Brackets – Ceiling



## Packaging Dimensions



Screen width	Box length	Box width	Box height
1600	2260	250	250
1800	2460	250	250
2000	2660	250	250
2200	2860	250	250
2400	3060	250	250
2700	3360	250	250
3000	3660	250	250

All dimensions in this document are in mm.

# Article Numbers for Linea Tab Tension

## Wide Format, 16 : 9

ART. NO	SCREEN SIZE WIDTH x HEIGHT	VIEW. AREA WIDTH x HEIGHT	WT. KG
LET1817-W	1800 x 1300	1700 x 955	25
LET2017-W	2000 x 1400	1900 x 1070	28
LET2217-W	2200 x 1550	2100 x 1180	31
LET2417-W	2400 x 1650	2300 x 1295	33
LET2724-W	2700 x 1800	2600 x 1460	37
LET3024-W	3000 x 2000	2900 x 1630	39

## Monitor Format, 16 : 10

ART. NO	SCREEN SIZE WIDTH x HEIGHT	VIEW. AREA WIDTH x HEIGHT	WT. KG
LET1817-D	1800 x 1400	1700 x 1060	25
LET2017-D	2000 x 1550	1900 x 1190	28
LET2217-D	2200 x 1650	2100 x 1310	31
LET2417-D	2400 x 1800	2300 x 1435	33
LET2724-D	2700 x 2000	2600 x 1625	37
LET3024-D	3000 x 2150	2900 x 1810	39

## Cinema Format, 2.35 : 1

ART. NO	SCREEN SIZE WIDTH x HEIGHT	VIEW. AREA WIDTH x HEIGHT	WT. KG
LET1817-C	1800 x 1100	1700 x 725	25
LET2017-C	2000 x 1150	1900 x 810	28
LET2217-C	2200 x 1250	2100 x 895	31
LET2417-C	2400 x 1350	2300 x 980	33
LET2724-C	2700 x 1450	2600 x 1100	37
LET3024-C	3000 x 1600	2900 x 1235	39

## No borders, 4 : 3 Format

ART. NO	SCREEN SIZE WIDTH x HEIGHT	WT. KG
LET1817	1800 x 1650	25
LET2017	2000 x 1800	28
LET2217	2200 x 1950	31
LET2420	2400 x 2100	33
LET2720	2700 x 2100	37

## Video Format, 4 : 3

ART. NO	SCREEN SIZE WIDTH x HEIGHT	VIEW. AREA WIDTH x HEIGHT	WT. KG
LET1817-V	1800 x 1650	1700 x 1275	25
LET2017-V	2000 x 1800	1900 x 1425	28
LET2217-V	2200 x 1950	2100 x 1575	31
LET2420-V	2400 x 2100	2300 x 1725	33
LET2724-V	2700 x 2300	2600 x 1950	37
LET3024-V	3000 x 2550	2900 x 2175	39

All weights are gross (total weight including packaging, brackets etc.).

Standard screen material is white.

Screens with ReAct material available in all sizes.

For article numbers with ReAct material replace LET with LETS. Example: An LET2417-W with ReAct material = LETS2417-W

Screens with Flexrear only available without borders.

For article numbers with FlexRear material replace LET with LETR. Example: An LET2420 with FlexRear material = LETR2420

Quiet motor available upon request. Quiet motor reduces motor noise (dB) by approx 20%.

## Accessories

ARTICLE NO	
210724	RF-transmitter, wall mounted
210727	RF-transmitter, hand held

ARTICLE NO	
210722	Autolink, RF
210725	IR-transmitter, hand held

ARTICLE NO	
210603	Switch, 2-positions (suitable for contact closure)
210604	Keyswitch, 3-positions (suitable for contact closure)
400300	Screen Cleaning Spray, 250 ml

All dimensions in this document are in mm.

**euroscreen®**

Draper Europe AB  
Kristinebergsvägen 22  
SE-302 41 Halmstad  
Sweden

Tel: +46 35 144290  
Fax: +46 35 144291

Web: [www.euroscreens.se](http://www.euroscreens.se)