



MOBILITY 02

2x2 MIMO Wi-Fi Dual Band Antenna

Features

- 2x2 MIMO Wi-Fi dual band antenna
- Wi-Fi frequencies:
2400-2500 MHz & 4900-6000 MHz
- Durable and UV-stable housing
- Black or white color options
- IP68 rated

7
dBi

IP
68



TAA
COMPLIANT

Overview

Antenna elements	2x Wi-Fi
Frequency bands	6.2dBi: 2400-2500 MHz 7.3dBi: 4900-6000 MHz
IP rating	IP68
Dimensions (Height) (Diameter)	1.42" / 36mm (spigot not included) 5.12" / 130mm
Coax cable type	CFD-200
Connector Type	RP-SMA male

Description

The Peplink Mobility 02 is a dual-band (2.4GHz & 5GHz) Wi-Fi antenna built for mobile applications.

The Mobility 02 supports 2x2 MIMO and has a solid housing made of UV stable plastic materials. Two color options are available (black and white) to fit different deployments. For easier installation, the antenna comes with different cable length options, available in RP-SMA connector.

Applications

- Transportation connectivity (trucks, busses, utility vehicles)
- Mining vehicles and machinery communications

Contact Us

sales@peplink.com

Find a Peplink Certified Partner

<https://www.peplink.com/peplink-certified-partners/>

Mobility 02



Specification

Wi-Fi

Antenna elements	2 elements
Cellular frequency bands	6.2dBi: 2400-2500 MHz 7.3dBi: 4900-6000 MHz
VSWR	< 2.0
Feed power handling	10W
Input impedance	50 Ω
Polarisation	Linear

Cable

Type	CFD-200
Length	6 ft 7 in. / 2m
Loss	0.33 dB/m @ 900 MHz 0.49 dB/m @ 2000 MHz 0.55 dB/m @ 2500 MHz 0.87 dB/m @ 5800 MHz
Diameter	0.2 in. / 5.0mm
Jacket	Half matt PVC, UV resistant
Termination	RA-SMA male

Mounting

Supported types	Panel, wall, pole
Mounting hole	1 11/16" / 43mm
Max panel thickness	19/32" / 15mm

Mobility 02

Mechanical

Product dimensions (Height)	1.42 in. / 36mm (spigot not included)
(Diameter)	5.12 in. / 130mm
Packaged dimensions	8.90 x 8.46 x 4.29 in. / 226 x 215 x 109mm
Radome material	UV stable PC+ABS

Package contents

Antenna	Mobility 02
Mounting	Mounting bracket Wall/pole mount Double sided 3M adhesive pad Diameter: 5.08 in. / 129 mm Thickness: 0.08 in. / 2 mm

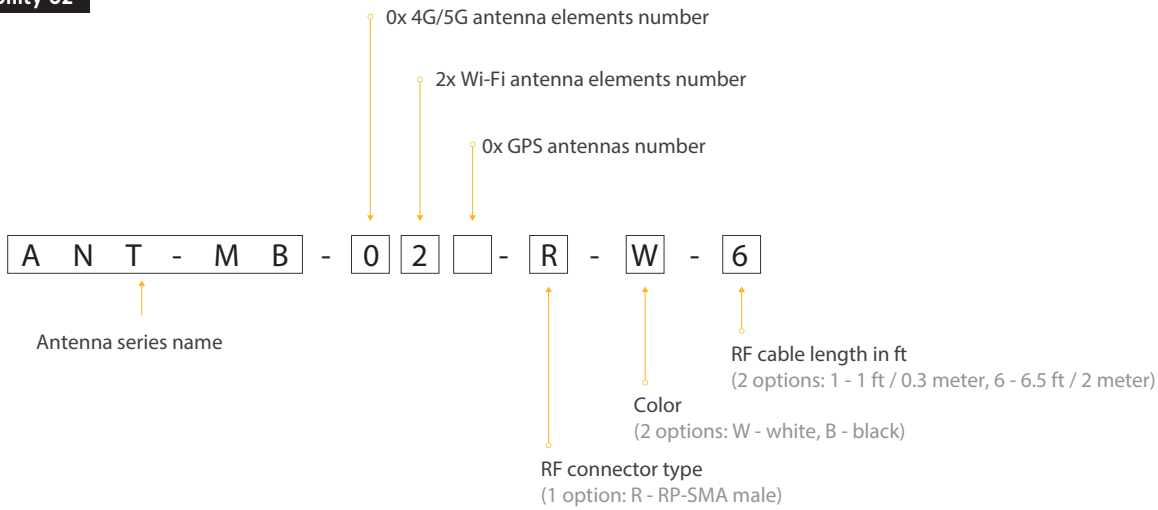
Environmental, compliance

Cable flammability	UL 758 (VW-1)
Compliance	RoHS, REACH & WHEE
Enclosure flammability	UL 94 HB
IP rating	IP68
Operating temperature	-40° - 176°F / -40° - 80°C
Storage temperature	-40° - 176°F / -40° - 80°C
Salt Spray	MIL-STD 810F/ASTM 8117
UV resistance rating	UL 746C (F1, long-term UV exposure)
Wind Survival	220 km/h



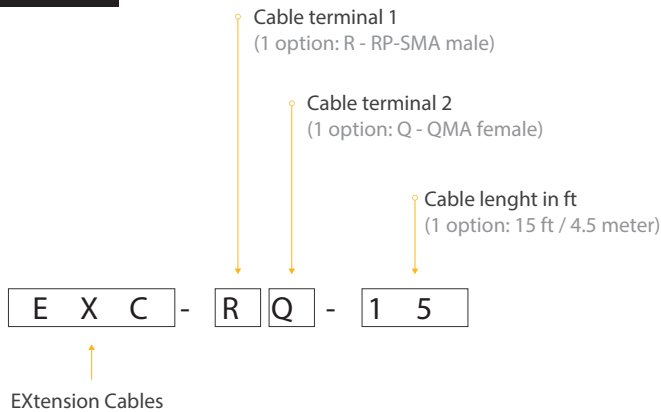
Ordering information

Mobility 02

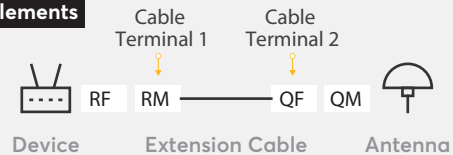


Product Code	Description
ANT-MB-02-R-W-6	2xWi-Fi 2400-6000MHz, IP68, RP-SMA male, White, 6.5ft / 2m
ANT-MB-02-R-B-6	2xWi-Fi 2400-6000MHz, IP68, RP-SMA male, Black, 6.5ft / 2m

Extension cable



Wi-Fi elements

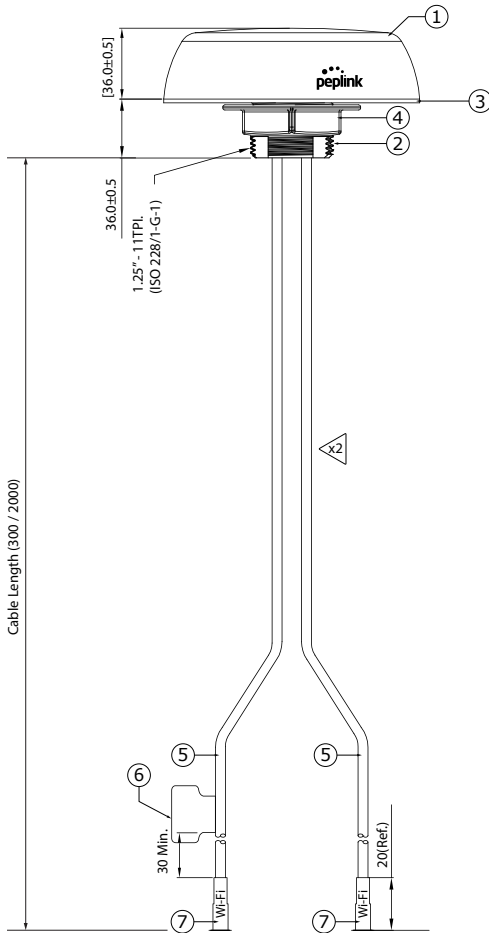


Product Code	Element type	Description
EXC-RQ-15	Wi-Fi elements	Extension coax cable, RP-SMA male to QMA female connector, 15ft / 4.5m

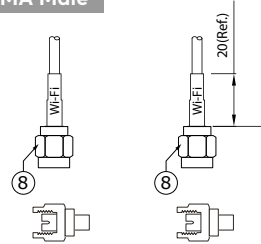
Technical drawing

(unit: mm)

Antenna

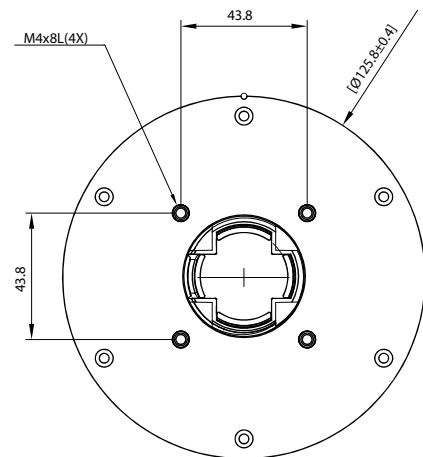


RP-SMA Male



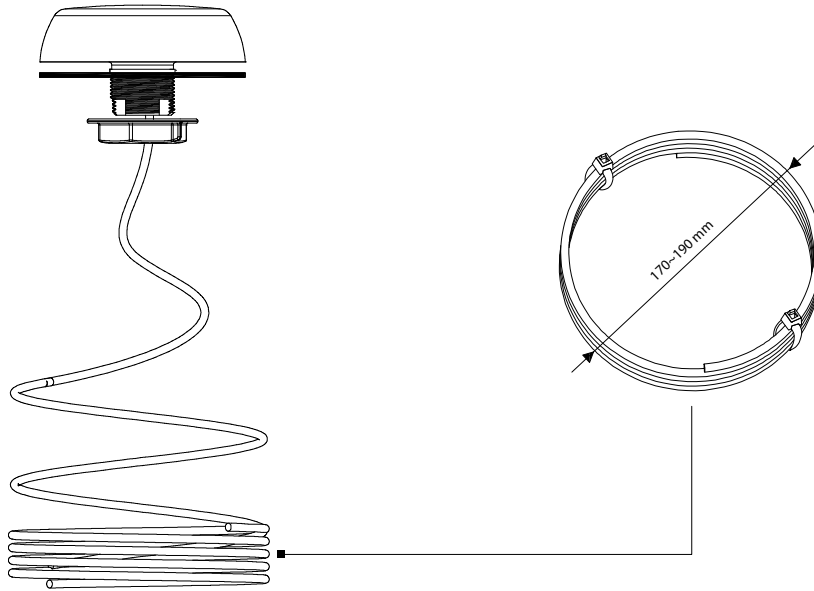
Index

No.	Description	Qty
1	Antenna top cover (PC+ABS)	1
2	Antenna bottom cover (PC+ABS)	1
3	Double sided 3M adhesive pad	1
4	Hexagon NUT (PC+ABS)	1
5	Cable CFD-200 (Wi-Fi)	2
6	Label	1
7	Wi-Fi H.S. tube	2
8	Wi-Fi antenna connector (RP-SMA male)	2

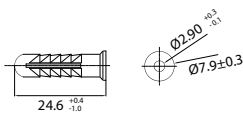


Technical drawing

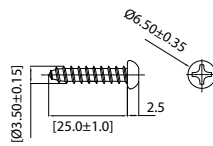
(unit: mm)



Mounting Set



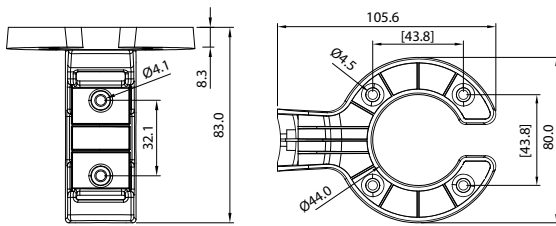
Plastic fixing for M3.5 screw
(2 pcs)



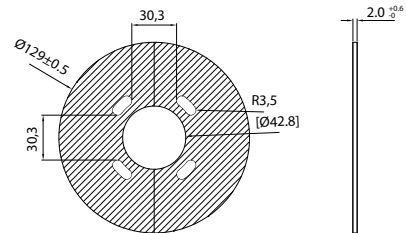
Tapping screws
(2 pcs, M3.5*24L)



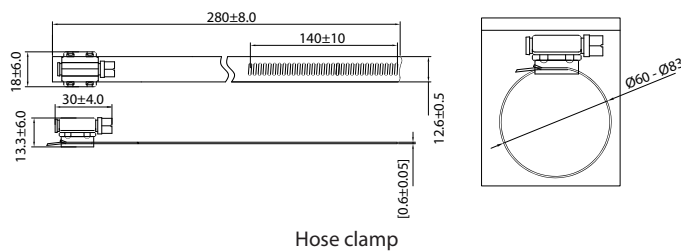
Screws
(4 pcs, M4*15L)



Mounting bracket

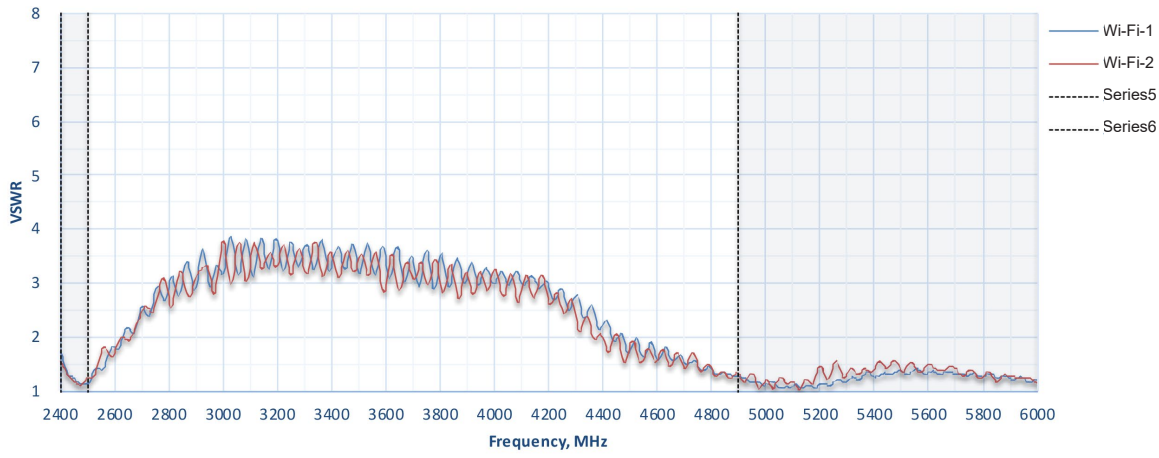


Double sided 3M adhesive pad

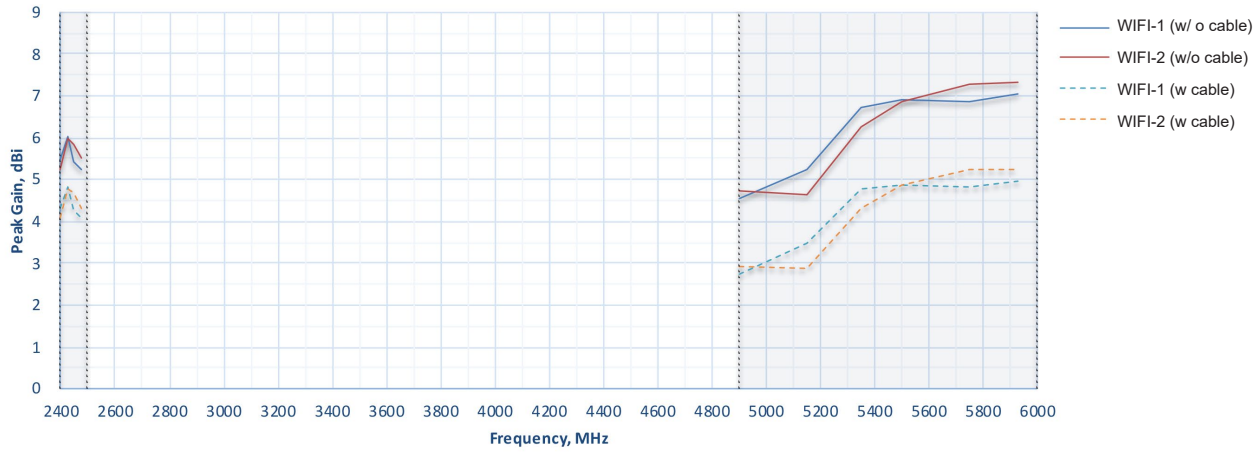


Hose clamp

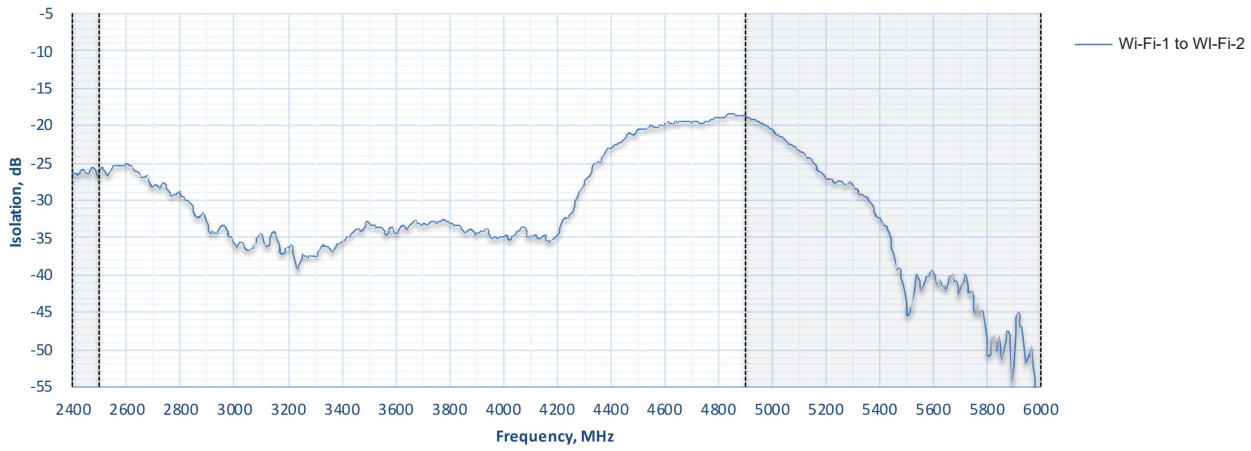
Wi-Fi Antenna VSWR



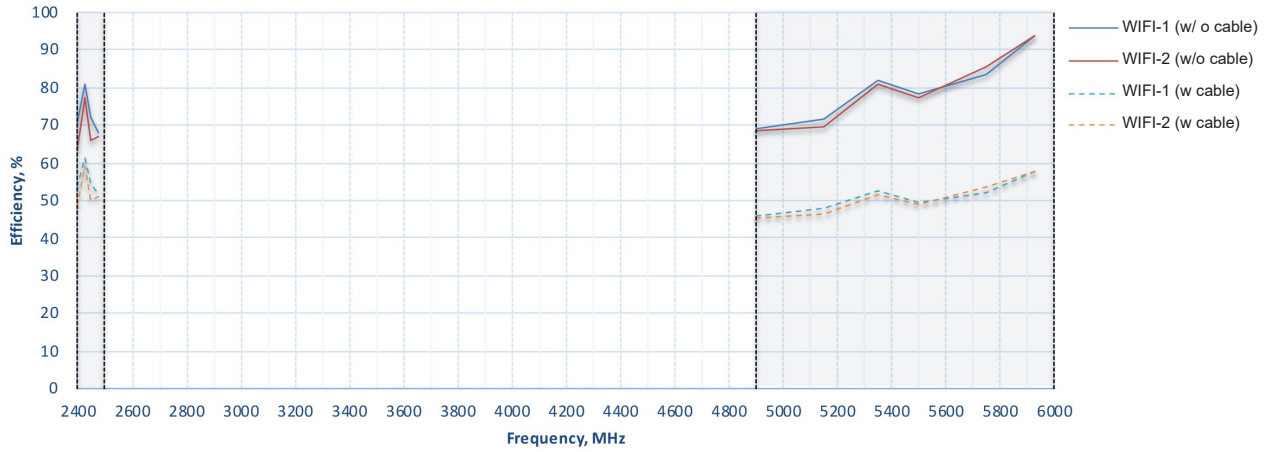
Wi-Fi Antenna Gain



Wi-Fi Antenna Isolation

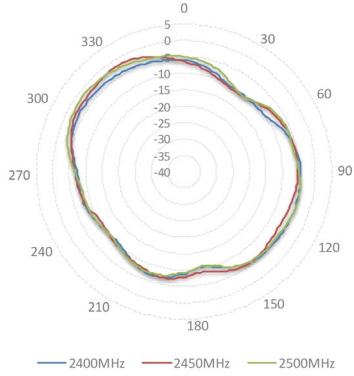


Wi-Fi Antenna Efficiency

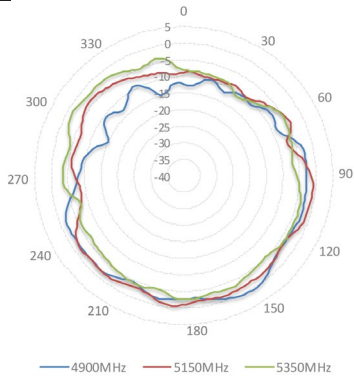


Wi-Fi Radiation Patterns (Azimuth)

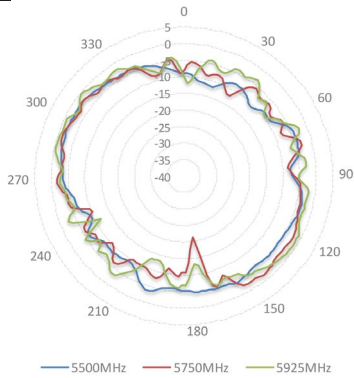
2400-2500 MHz



4900-5350 MHz

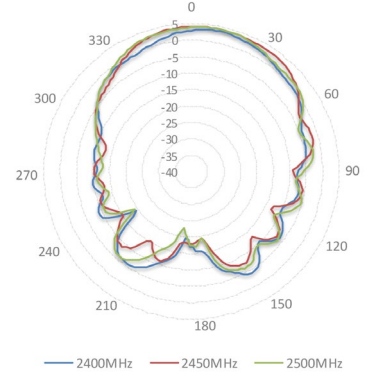


5550-5950 MHz

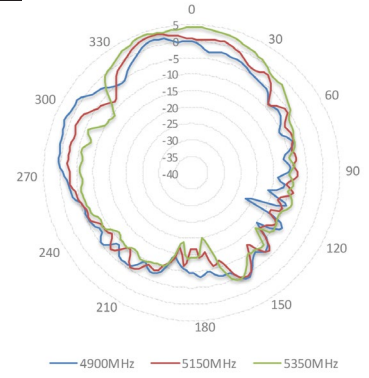


Wi-Fi Radiation Patterns (Elevation 1)

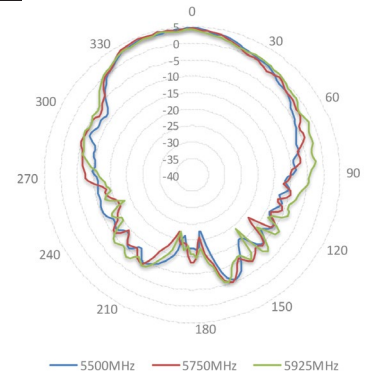
2400-2500 MHz



4900-5350 MHz



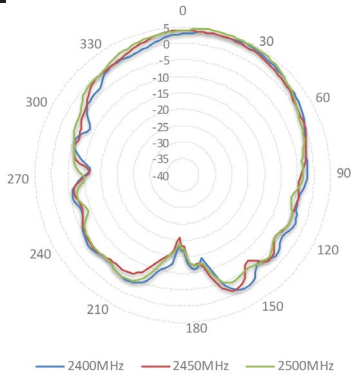
5550-5950 MHz



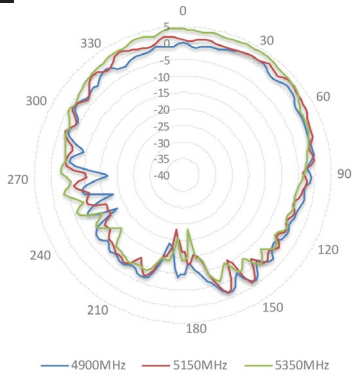
Mobility 02

Wi-Fi Radiation Patterns (Elevation 2)

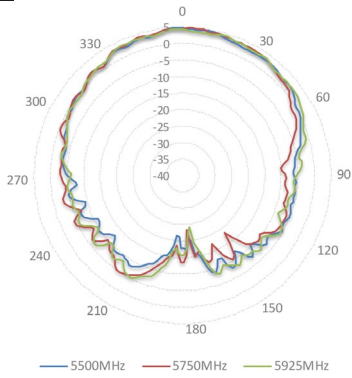
2400-2500 MHz



4900-5350 MHz



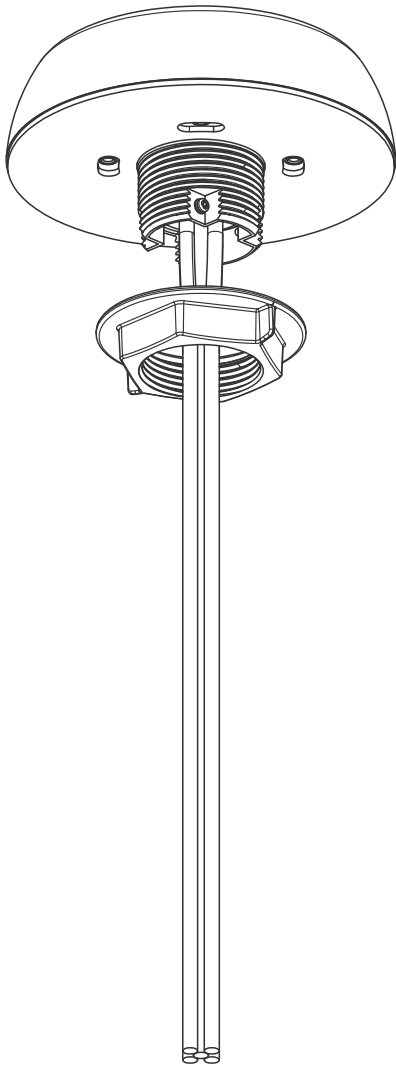
5550-5950 MHz



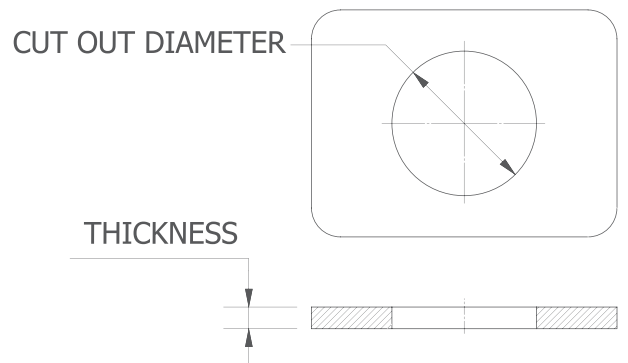
Mobility 02

Installation recommendation

Panel Mount



Mobility 02

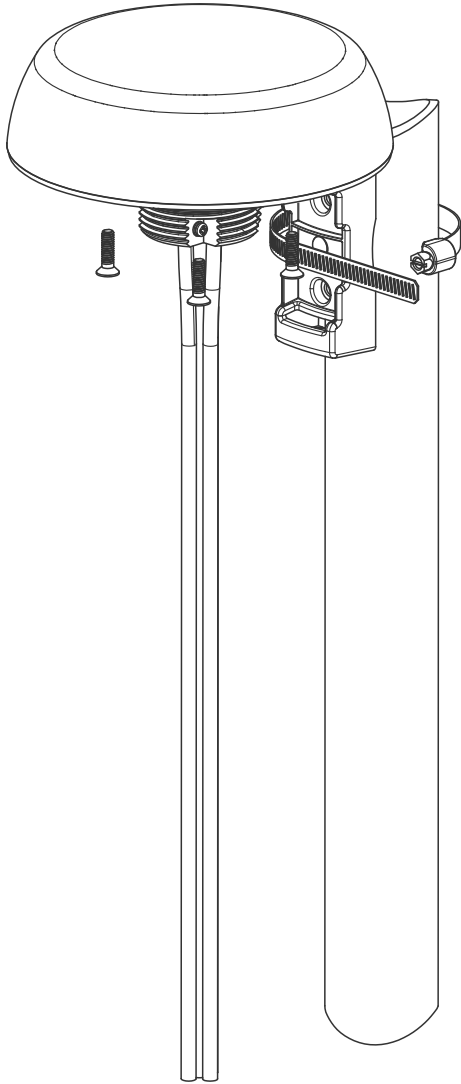


Notes

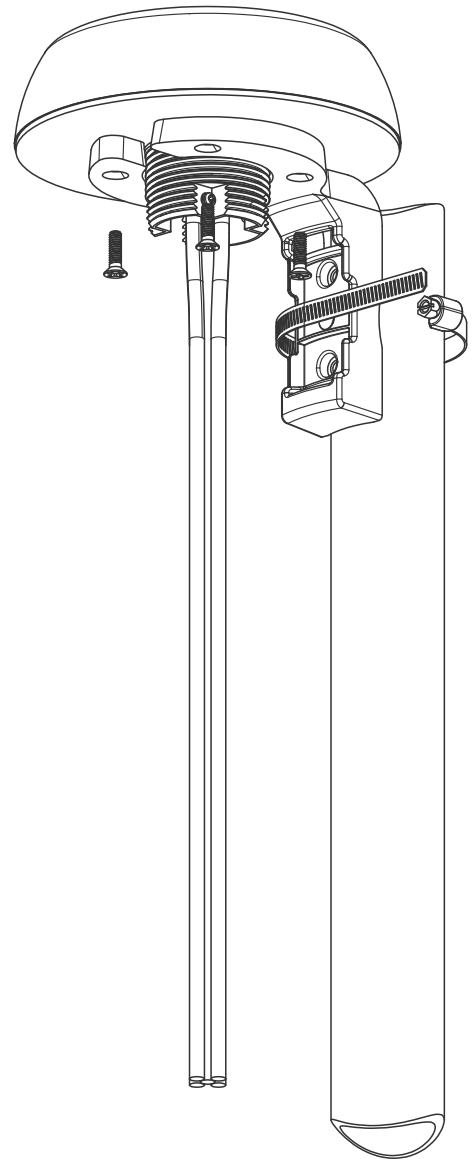
- Cover panel surface to protect the paint work. When drilling a hole, start with a small one, then increase it.
- Cut out diameter - 1.7 in. / 43 mm
Maximum allowed panel thickness - 0.6 in. / 15 mm
- After a drill clean up the surface and apply some paint around the hole to prevent corrosion. Attach the antenna.

Installation recommendation

Pole Mount

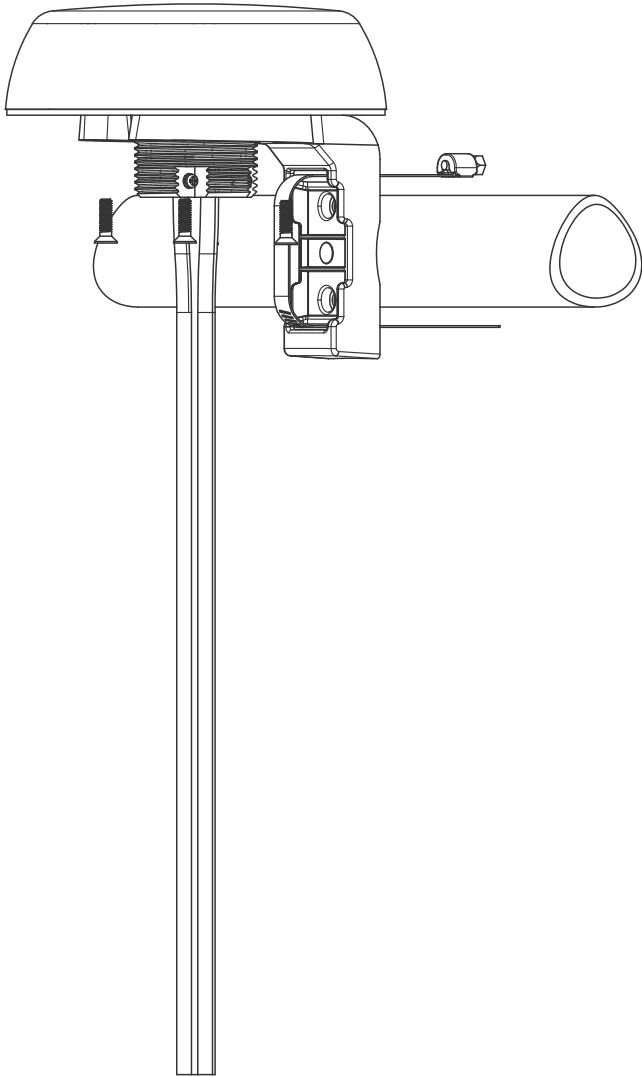


Mobility 02

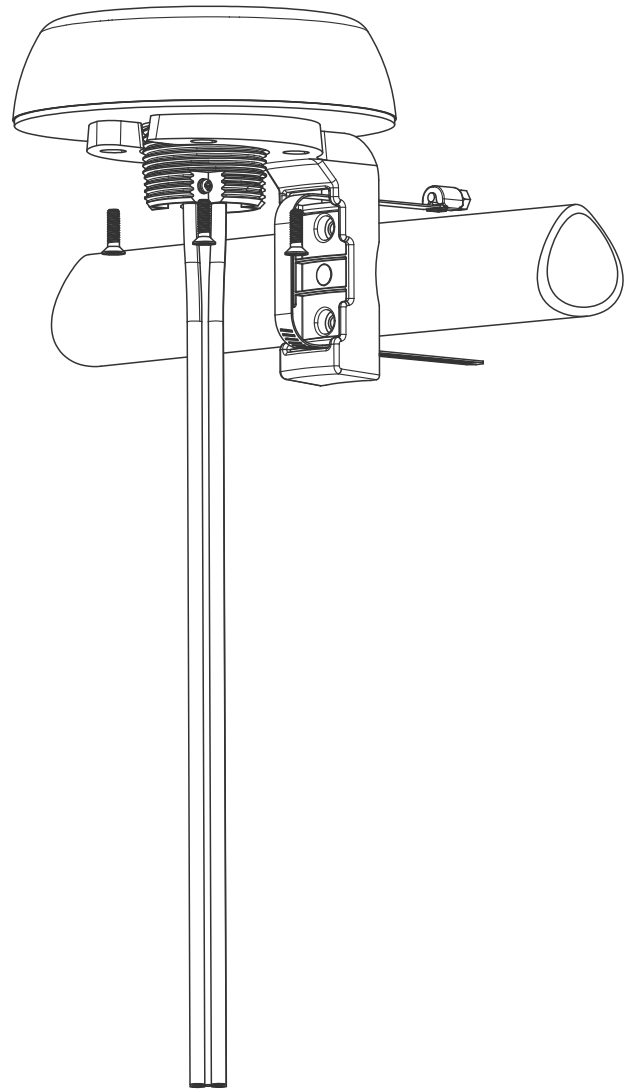


Installation recommendation

Horizontal Pole Mount

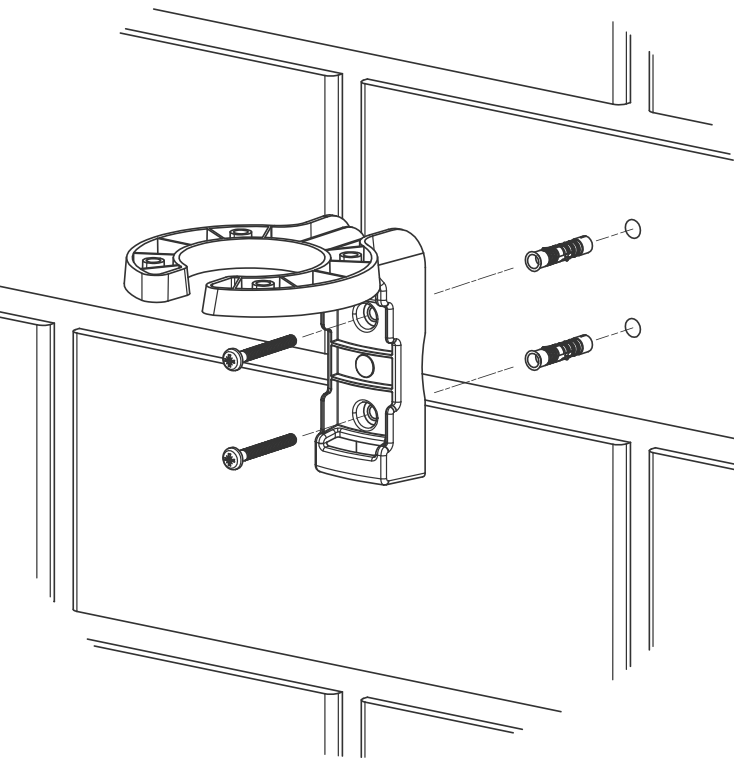


Mobility 02



Installation recommendation

Wall Mount



Mobility 02

