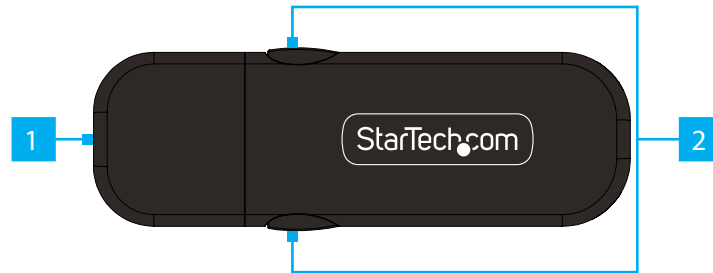


USB-A Port Blocker (4 Plugs with 1 Key)

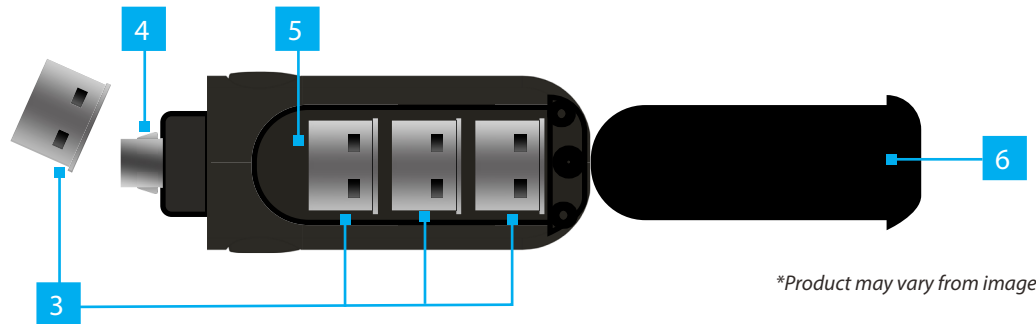
Product ID

USB-A-PORT-BLOCKER

Top View (Key)



Bottom View (Key with USB-A Port Blockers)



*Product may vary from image

	Feature	Function
1	Key Cap	<ul style="list-style-type: none"> Remove to access Latching Mechanism
2	Latching Switches (2)	<ul style="list-style-type: none"> Press to disengage Latching Mechanism Release to engage Latching Mechanism
3	USB-A Port Blockers (4)	<ul style="list-style-type: none"> Install into the USB-A port(s) on Host Devices to prevent unwanted port access
4	Latching Mechanism	<ul style="list-style-type: none"> Grasp and release the USB-A Port Blockers
5	Storage Compartment for USB Port Blockers	<ul style="list-style-type: none"> House USB-A Port Blocks when not in use
6	Cover for Storage Compartment	<ul style="list-style-type: none"> Secure Storage Compartment for USB-A Port Blockers

Package Contents

- USB Port Blockers x 4
- Key x 1
- Product Documentation x 1

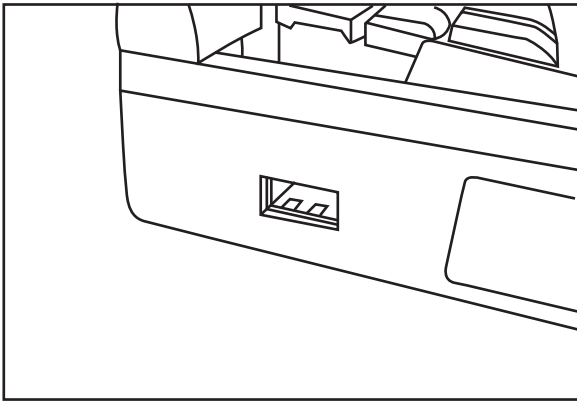
Requirements

For the latest manuals, product information, technical specifications, and declarations of conformance, please visit: www.StarTech.com/USB-A-PORT-BLOCKER

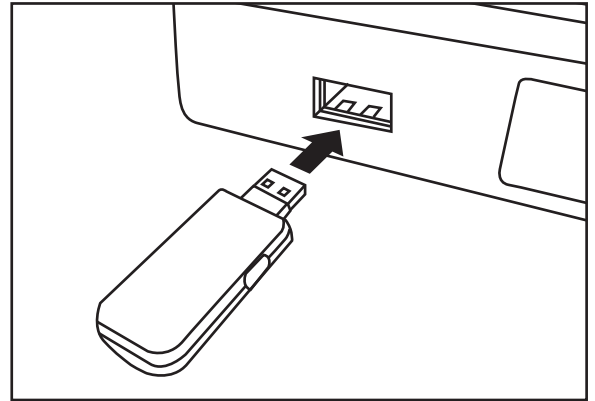
- Host Device with open USB-A port(s)

Install

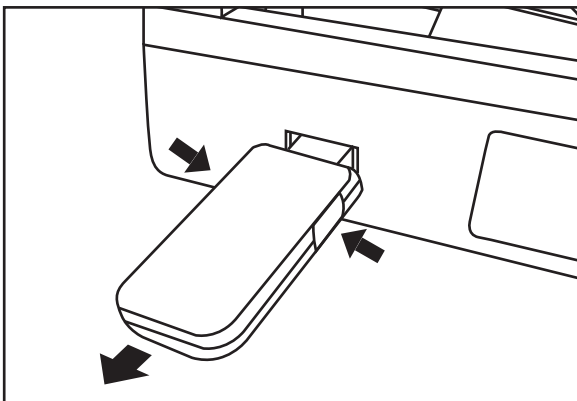
1.



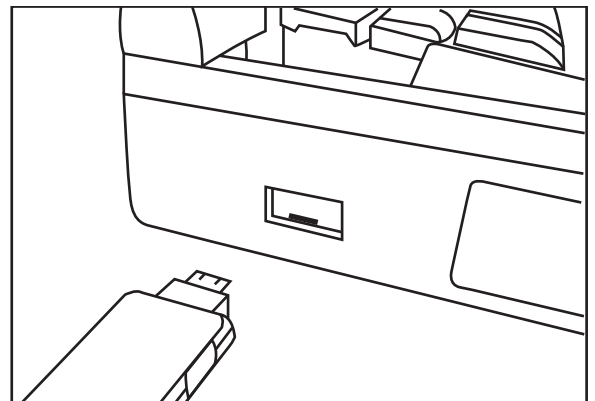
2.



3.

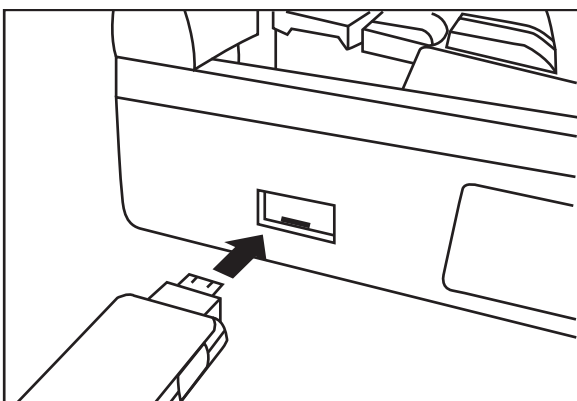


4.



Uninstall

1.



2.

