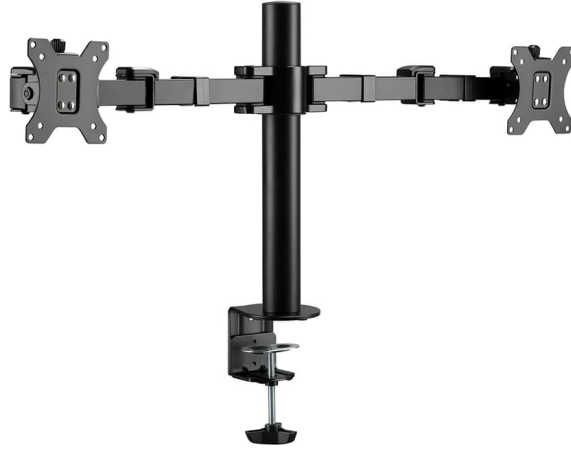


Prokord Deskmount Basic Dual



Header

Manufacturer Prokord

Mounting

Maximum weight capacity 9 kg
Minimum screen size 17 "
Maximum screen size 32 "
Mounting type Desk
Mounting Screws
Minimum VESA mount 75 x 75 mm
Maximum VESA mount 100 x 100 mm
Panel mounting interface 100 x 100, 75 x 75 mm
Number of displays supported 2

Ergonomics

Angle of rotation 180 °
Pan range -90 - 90 °
Tilt angle range -35 - 35 °
Tilt adjustment Yes
Cable management Yes

Design

Product colour Black

Housing material Steel

Weight & dimensions

Width 874 mm

Depth 134 mm

Height 556 mm

Logistics data

Harmonized System (HS) code 85299097

Packaging data

Quantity per pack 1 pc(s)