

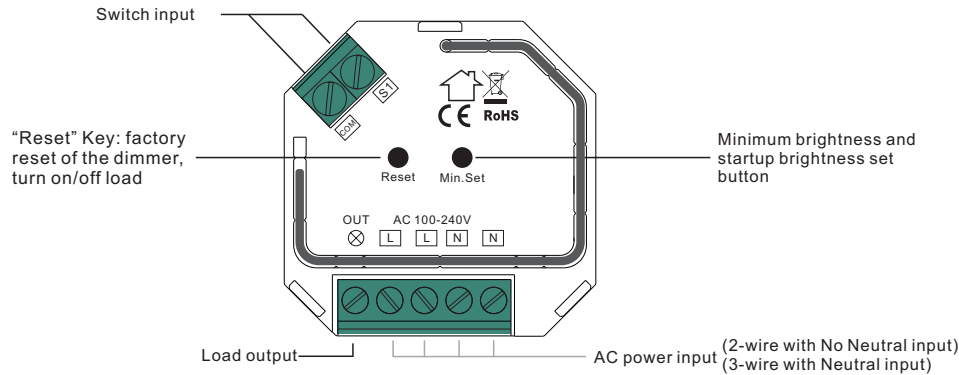
# ZigBee Micro Smart Dimmer

09.ZG9040A.04736



**Important:** Read All Instructions Prior to Installation

## Function introduction



## Product Data

Input Voltage	Output Voltage	Output Current	Size(LxWxH)
100-240VAC	100-240VAC	1.8A max	45.5x45x20.3mm

Compatible Load Types			
Load Symbol	Load Type	Maximum Load	Remarks
	Dimmable LED lamps	200W @ 230V 100W @ 110V	Due to variety of LED lamp designs, maximum number of LED lamps is further dependent on power factor result when connected to dimmer.
	Dimmable LED drivers	200W @ 230V 100W @ 110V	Maximum permitted number of drivers is 200W divided by driver nameplate power rating.
	Incandescent lighting, HV Halogen lamps	400W @ 230V 200W @ 110V	
	Low voltage halogen lighting with electronic transformers	200W @ 230V 100W @ 110V	

**ZigBee Clusters the device supports are as follows:**

### Input Clusters

- 0x0000: Basic
- 0x0003: Identify
- 0x0004: Groups
- 0x0005: Scenes
- 0x0006: On/off
- 0x0702: Simple Metering
- 0x0008: Level Control
- 0x0b04: Electrical Measurement
- 0x0b05: Diagnostics

### Output Clusters

- 0x0019: OTA

- ZigBee AC phase cut dimmer based on latest ZigBee 3.0 protocol
- 100-240VAC Wide Input and Output Voltage
- Supports resistive loads, capacitive loads or inductive loads
- 1 Channel Output, Up to 400W
- Input and Output with Screw Terminals, Safe and Reliable
- Both leading edge version and trailing edge versions are available for choosing, preset by factory setting
- Enables to control ON/OFF and light intensity of connected light source
- ZigBee end device that supports Touchlink commissioning
- Can directly pair to a compatible ZigBee remote via Touchlink without coordinator
- Supports self-forming zigbee network without coordinator and add other devices to the network
- Supports find and bind mode to bind a ZigBee remote
- Supports zigbee green power and can bind max. 20 zigbee green power remotes
- Compatible with universal ZigBee gateway products
- Mini Size, Easy to be Installed into a standard 86\*86mm wall box
- Radio Frequency : 2.4GHz
- Waterproof grade: IP20

### Main Features:

- Can operate under two-wire connection with no neutral lead or three-wire connection with neutral lead
- Advanced microprocessor control
- Implemented algorithm of smart light source detection
- Active power and energy metering functionality
- Soft start function
- Innovative minimum dimming level and startup brightness setting function
- Works with various types of switches – momentary, toggle, three-way, etc.
- Active element: semiconductor electronic switch
- To be installed in wall switch boxes of dimensions allowing for installation, conforming to provisions of applicable regulations
- The Bypass is an extension unit

### As a dimmer it operates under the following loads:

- Conventional incandescent and HV halogen light sources
- ELV halogen lamps and dimmable LED bulbs (with electronic transformers)
- MLV halogen lamps (with ferromagnetic transformers)
- Dimmable LED bulbs
- Dimmable compact fluorescent CFL tube lamps
- Supported dimmable light sources (power factor > 0.5) with minimal power of 3VA using the Bypass (depending on the type of load)

### Trailing edge or leading edge dimming mode can be preset by factory setting to control following types of loads:

- "Trailing edge" for resistive loads
- "Trailing edge" for capacitive loads
- "Leading edge" for inductive loads

**Note: factory default version is trailing edge.**

### Safety & Warnings

- DO NOT install with power applied to device.
- DO NOT expose the device to moisture.

### Operation

**1. Do wiring according to connection diagram correctly.**

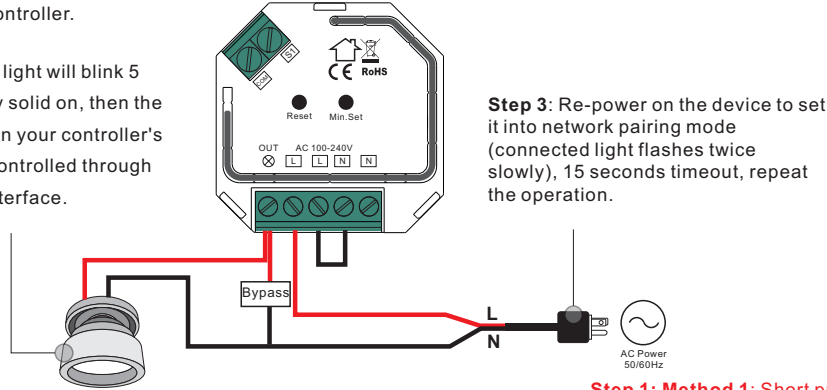
**2. This ZigBee device is a wireless receiver that communicates with a variety of ZigBee compatible systems. This receiver receives and is controlled by wireless radio signals from the compatible ZigBee system.**

### 3. Zigbee Network Pairing through Coordinator or Hub (Added to a Zigbee Network)

**Step 1:** Remove the device from previous zigbee network if it has already been added to, otherwise pairing will fail. Please refer to the part "Factory Reset Manually".

**Step 2:** From your ZigBee Controller or hub interface, choose to add lighting device and enter Pairing mode as instructed by the controller.

**Step 4:** Connected light will blink 5 times and then stay solid on, then the device will appear in your controller's menu and can be controlled through controller or hub interface.



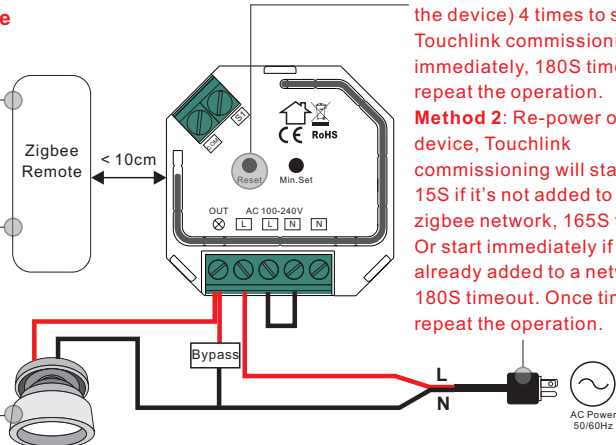
**Step 3:** Re-power on the device to set it into network pairing mode (connected light flashes twice slowly), 15 seconds timeout, repeat the operation.

### 4. TouchLink to a Zigbee Remote

**Step 2:** Bring the remote or touch panel within 10cm of the lighting device.

**Step 3:** Set the remote or touch panel into Touchlink commissioning, please refer to corresponding remote or touch panel manual to learn how.

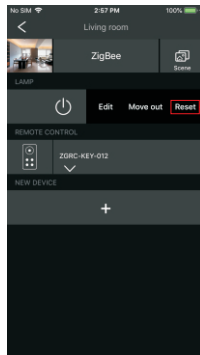
**Step 4:** There shall be indication on the remote for successful link and connected light will flash twice.



**Step 1: Method 1:** Short press "Reset" button (or re-power on the device) 4 times to start Touchlink commissioning immediately, 180S timeout, repeat the operation.  
**Method 2:** Re-power on the device, Touchlink commissioning will start after 15S if it's not added to a zigbee network, 165S timeout. Or start immediately if it's already added to a network, 180S timeout. Once timeout, repeat the operation.

- Note:**
- 1) Directly TouchLink (both not added to a ZigBee network), each device can link with 1 remote.
  - 2) TouchLink after both added to a ZigBee network, each device can link with max. 30 remotes.
  - 3) For Hue Bridge & Amazon Echo Plus, add remote and device to network first then TouchLink.
  - 4) After TouchLink, the device can be controlled by the linked remotes.

### 5. Removed from a Zigbee Network through Coordinator or Hub Interface



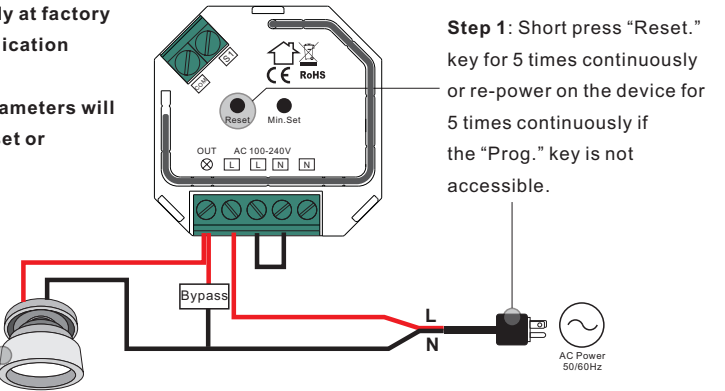
From your ZigBee controller or hub interface, choose to delete or reset the lighting device as instructed. The connected light blinks 3 times to indicate successful reset.

### 6. Factory Reset Manually

**Note:** 1) If the device is already at factory default setting, there is no indication when factory reset again.

2) All configuration parameters will be reset after the device is reset or removed from the network.

**Step 2:** Connected light will blink 3 times to indicate successful reset.



**Step 1:** Short press "Reset." key for 5 times continuously or re-power on the device for 5 times continuously if the "Prog." key is not accessible.

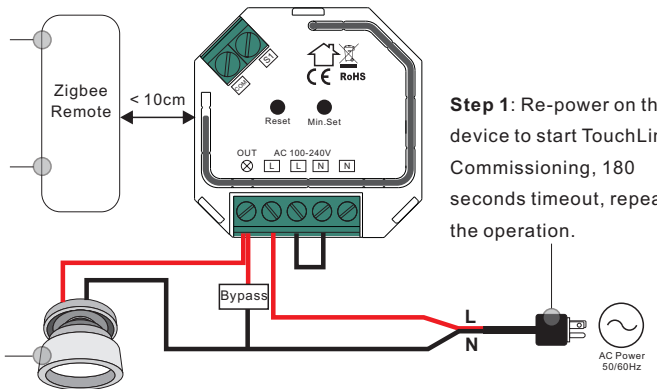
### 7. Factory Reset through a Zigbee Remote (Touch Reset)

**Note:** Make sure the device already added to a network, the remote added to the same one or not added to any network.

**Step 2:** Bring the remote or touch panel within 10cm of the lighting device.

**Step 3:** Set the remote or touch panel into Touch Reset procedure to reset the device, please refer to corresponding remote or touch panel manual to learn how.

**Step 4:** There shall be indication on the remote and connected light flashes 3 times for successful reset.



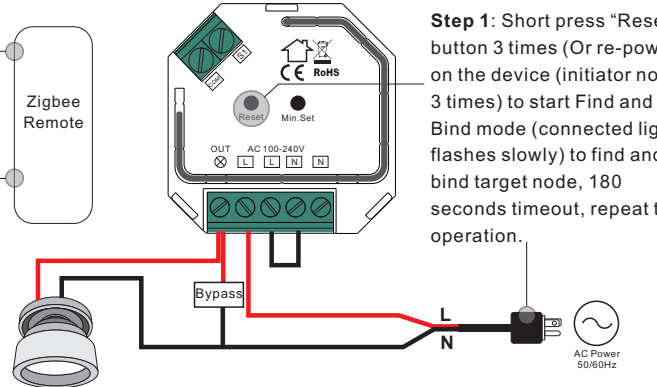
**Step 1:** Re-power on the device to start TouchLink Commissioning, 180 seconds timeout, repeat the operation.

### 8. Find and Bind Mode

**Note:** Make sure the device and remote already added to the same zigbee network.

**Step 2:** Set the remote or touch panel (target node) into find and bind mode, and enable it to find and bind initiator, please refer to corresponding remote or touch panel manual.

**Step 3:** There shall be indication on the remote or touch panel that it bind the device successfully and can control it then to learn how.

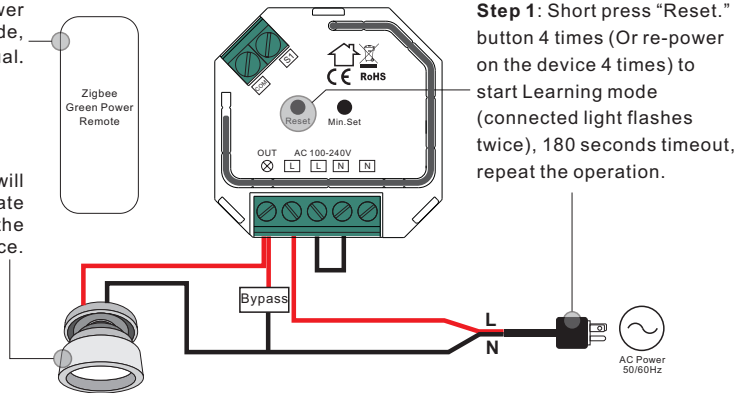


**Step 1:** Short press "Reset." button 3 times (Or re-power on the device (initiator node) 3 times) to start Find and Bind mode (connected light flashes slowly) to find and bind target node, 180 seconds timeout, repeat the operation.

## 9. Learning to a Zigbee Green Power Remote

**Step 2:** Set the green power remote into Learning mode, please refer to its manual.

**Step 3:** Connected light will flash twice to indicate successful learning. Then the remote can control the device.



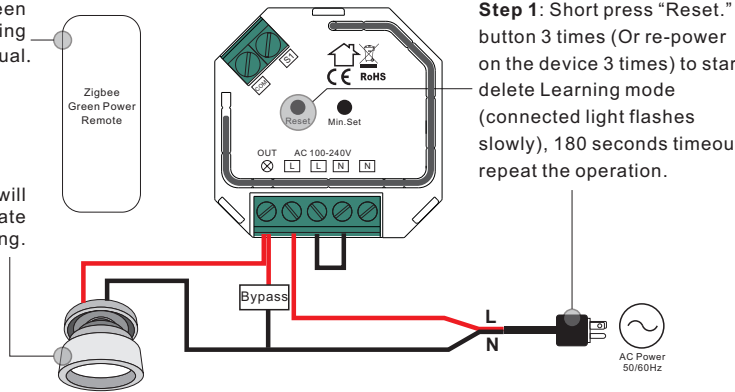
**Step 1:** Short press "Reset." button 4 times (Or re-power on the device 4 times) to start Learning mode (connected light flashes twice), 180 seconds timeout, repeat the operation.

**Note:** Each device can learn to max. 20 zigbee green power remotes.

## 10. Delete Learning to a Zigbee Green Power Remote

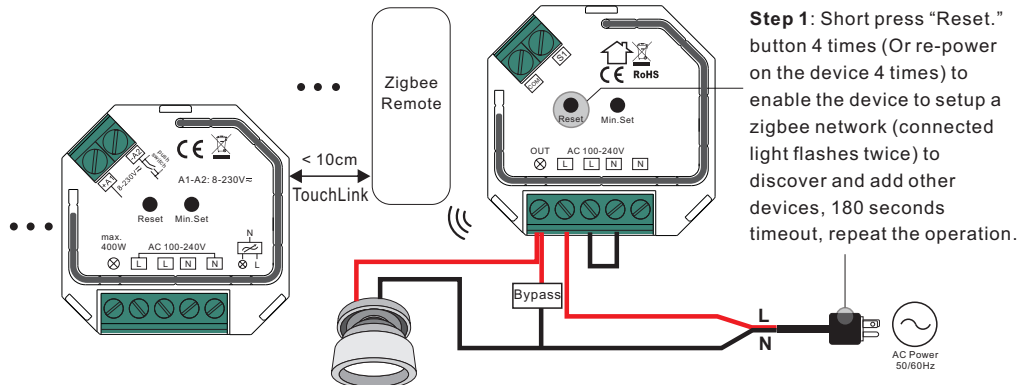
**Step 2:** Set the paired green power remote into Learning mode, please refer to its manual.

**Step 3:** Connected light will flash 4 times to indicate successful deleting.



**Step 1:** Short press "Reset." button 3 times (Or re-power on the device 3 times) to start delete Learning mode (connected light flashes slowly), 180 seconds timeout, repeat the operation.

## 11. Setup a Zigbee Network & Add Other Devices to the Network (No Coordinator Required)



**Step 1:** Short press "Reset." button 4 times (Or re-power on the device 4 times) to enable the device to setup a zigbee network (connected light flashes twice) to discover and add other devices, 180 seconds timeout, repeat the operation.

**Step 2:** Set another device or remote or touch panel into network pairing mode and pair to the network, refer to their manuals.

**Step 3:** Pair more devices and remotes to the network as you would like, refer to their manuals.

**Step 4:** Bind the added devices and remotes through Touchlink so that the devices can be controlled by the remotes, refer to their manuals.

**Note: 1) Each added device can link and be controlled by max. 30 added remotes.**

**2) Each added remote can link and control max. 30 added devices.**

### 12. OTA

The device supports firmware updating through OTA, and will acquire new firmware from zigbee controller or hub every 10 minutes automatically.

### 13. Minimum and Startup Brightness Setting Button

Press and hold down the button for 3 seconds to set minimum brightness: when current brightness value is 1%-50%, it will be set as minimum brightness. When current brightness value is 100%, previously set minimum brightness will be deleted. Once a minimum brightness is set, the connected load can not be dimmed below this level.

Short press the button twice to set startup brightness: when current brightness value is 1%-50%, it will be set as startup brightness. When current brightness value is 0%, previously set startup brightness will be deleted.

**Note:** startup brightness setting function is to avoid the phenomenon that some dimmable LED drivers can not be turned on after dimmed to a low level and turned off. Once setting a startup brightness, if the startup brightness is higher than dimmed level before turned off, the driver will first go to the startup brightness after turned on then drop down to the dimmed level. If the startup brightness is lower than the dimmed level before turned off, the driver will directly go to the dimmed level after turned on.

### 14. Controlled by a push switch:

Once connected with a push switch, click the push switch to switch ON/OFF, press and hold down it to increase/decrease light intensity.

### Wiring Diagram

**Notes for the diagrams:**

**L** - terminal for live lead

**N** - terminal for neutral lead

**Out** - output terminal of the dimmer (controlling connected light source)

**S1** - terminal for switch

**COM** - terminal for grounding to the switch connected to the dimmer

**Supported external switch types (should be configured by factory setting):**

1) **Push switch** (default factory setting)

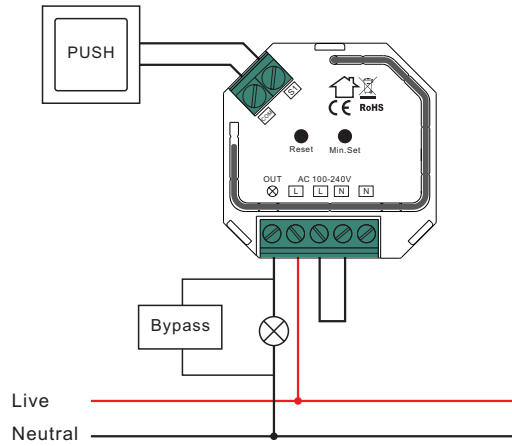
2) **Normal On/Off switch** (should be configured by factory setting upon request)

3) **3-Way switch** (should be configured by factory setting upon request)

**Compatible load types and recommended values of power for supported loads:**

Supported load types		100-240V~	
	<b>Resistive loads</b> Conventional incandescent and halogen light sources	20-400W @ 230V 20-200W @ 110V	
	<b>Capacitive loads</b> Fluorescent tube lamp (compact / with electronic ballast), electronic transformer, LED	Using Bypass: 3-200W @ 230V 3-100W @ 110V	No Bypass Used: 20-200W @ 230V 20-100W @ 110V
	<b>Inductive loads</b> Ferromagnetic transformers	20-200W @ 230V 20-100W @ 110V	

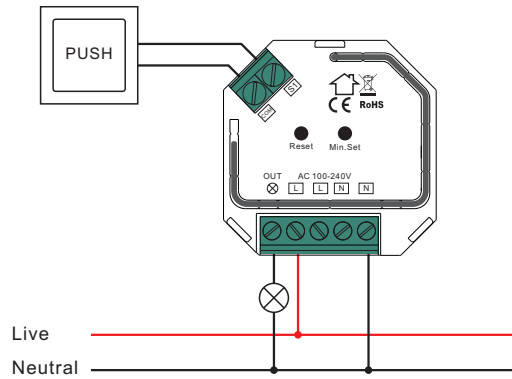
### (1) 2-Wire Connection With No Neutral Lead



**NOTE:** Switch connected to the S1 terminal activates the basic functionality of the dimmer (turning the light on/off, dimming).

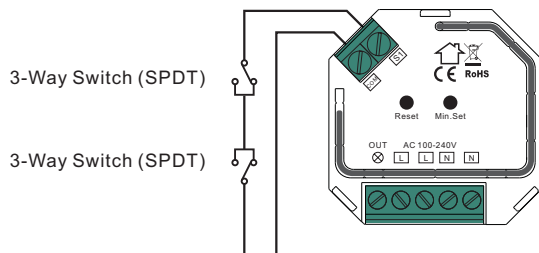
The Bypass is a device designed to work with the micro smart dimmer. It should be used in case of connecting LED bulbs or energy saving compact fluorescent lamps. The Bypass prevents flickering of the LED lights and glowing of the turned off compact fluorescent lamps. In the case of 2-wire connection, the Bypass allows to reduce minimum power of load required by the dimmer for correct operation. The Bypass provides powering of the dimmer in case of controlling the low loads of minimum power down to 3W (for  $\cos\phi > 0.5$ ).

### (2) 3-Wire Connection With Neutral Lead

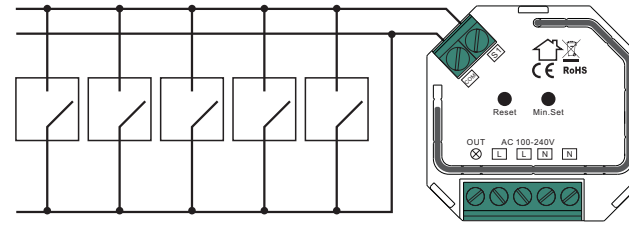


**NOTE:** Switch connected to the S1 terminal activates the basic functionality of the dimmer (turning the light on/off, dimming).

### (3) 3-Way Switch Connection



### (4) Momentary Wall Switch Connection



This phase dimmer adopts leading edge dimming (forward phase control) or trailing edge dimming (reverse phase control), two versions are available for choosing, factory default version is trailing edge. Please make sure the connected loads support the control type you choose. Please refer to the user manual of the load or consult the supplier of the load.