

#### Technical data

|                      |                              |
|----------------------|------------------------------|
| Column Stage         | 3                            |
| Max. Weight Capacity | 100KG                        |
| Height Range         | 620-1270mm(Without tabletop) |
| Width Range          | 1100-1700mm                  |

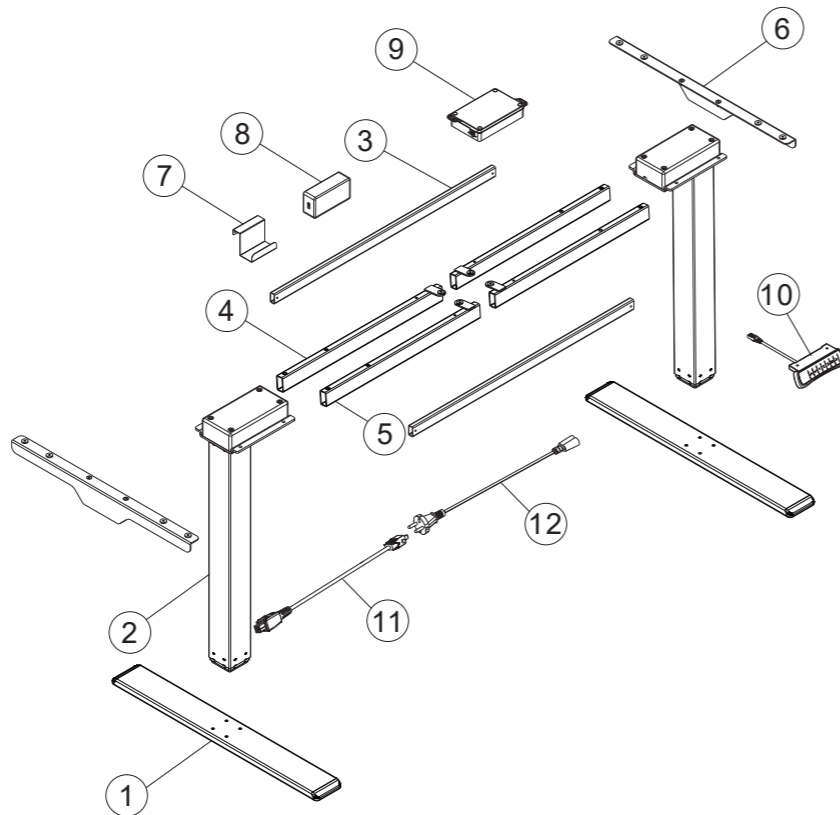
#### Accessory list

Attention: The drawings below are for guidance only and they may differ slightly from the product and fittings received. Please contact our customer service department if you have any queries.

| No. | Image | Spec            | Qty |
|-----|-------|-----------------|-----|
| A   |       | M6              | 4   |
| B   |       | M6              | 8   |
| C   |       | M6              | 8   |
| D   |       | St4.2           | 6   |
| E   |       | Cable tie       | 6   |
| F   |       | St4.2           | 16  |
| G   |       | Allen Key 4x4mm | 1   |

#### Component list

| No. | Part                  | Qty | No. | Part                 | Qty |
|-----|-----------------------|-----|-----|----------------------|-----|
| ①   | Feet                  | 2   | ②   | Lifting Column       | 2   |
| ③   | Connection rod        | 2   | ④   | Left Supporting Beam | 2   |
| ⑤   | Right Supporting Beam | 2   | ⑥   | Side bracket         | 2   |
| ⑦   | Adapter arm           | 1   | ⑧   | Adapter              | 1   |
| ⑨   | Control Box           | 1   | ⑩   | Handset (Option)     | 1   |
| ⑪   | Adapter cable         | 1   | ⑫   | Power Plug           | 1   |

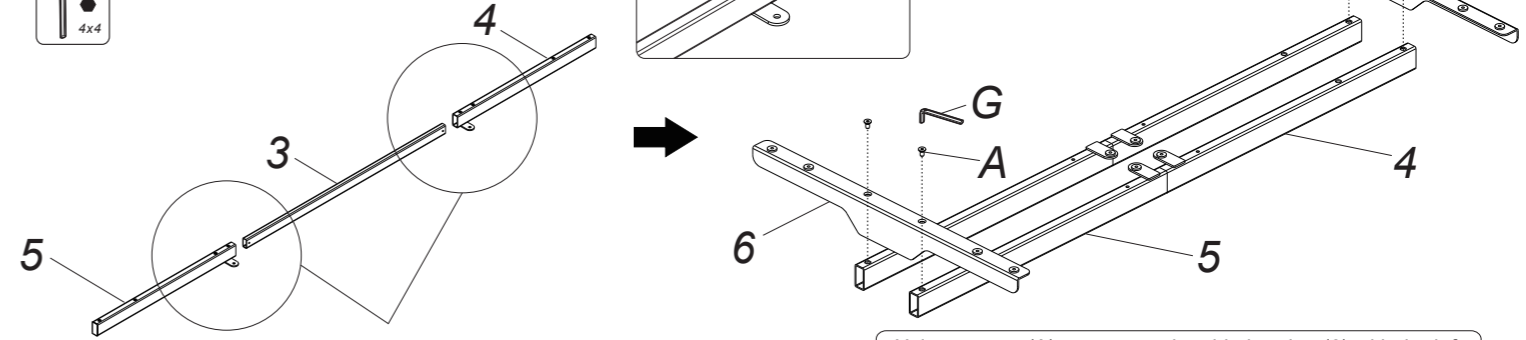
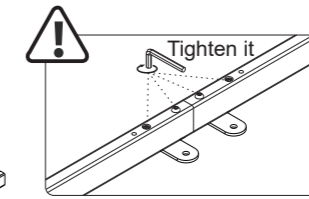


#### STEP 1

Install the supporting beam and the side bracket



! If the connecting rod cannot be inserted into the supporting beam, please loosen the screws on the beam.

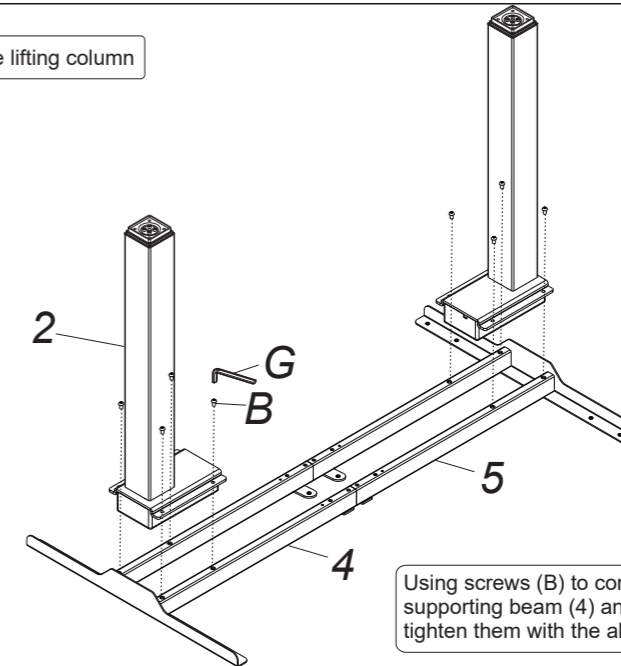


Using screws (A) to connect the connection rod (3) with the left supporting beam (4) and the right supporting beam (5), and tighten them with the allen key (G).

Using screws (A) to connect the side bracket (6) with the left supporting beam (4) and the right supporting beam (5), and tighten them with the allen key (G).

#### STEP 2

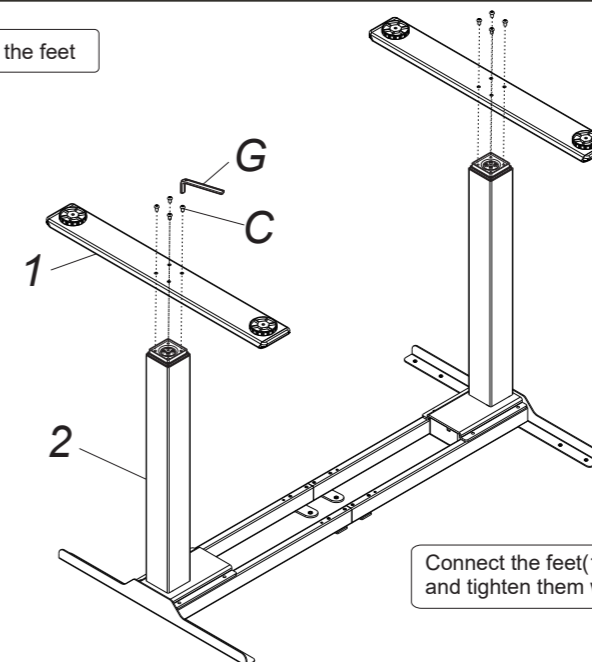
Install the lifting column



Using screws (B) to connect the lifting column (2) with the left supporting beam (4) and the right supporting beam (5), and tighten them with the allen key (G).

#### STEP 3

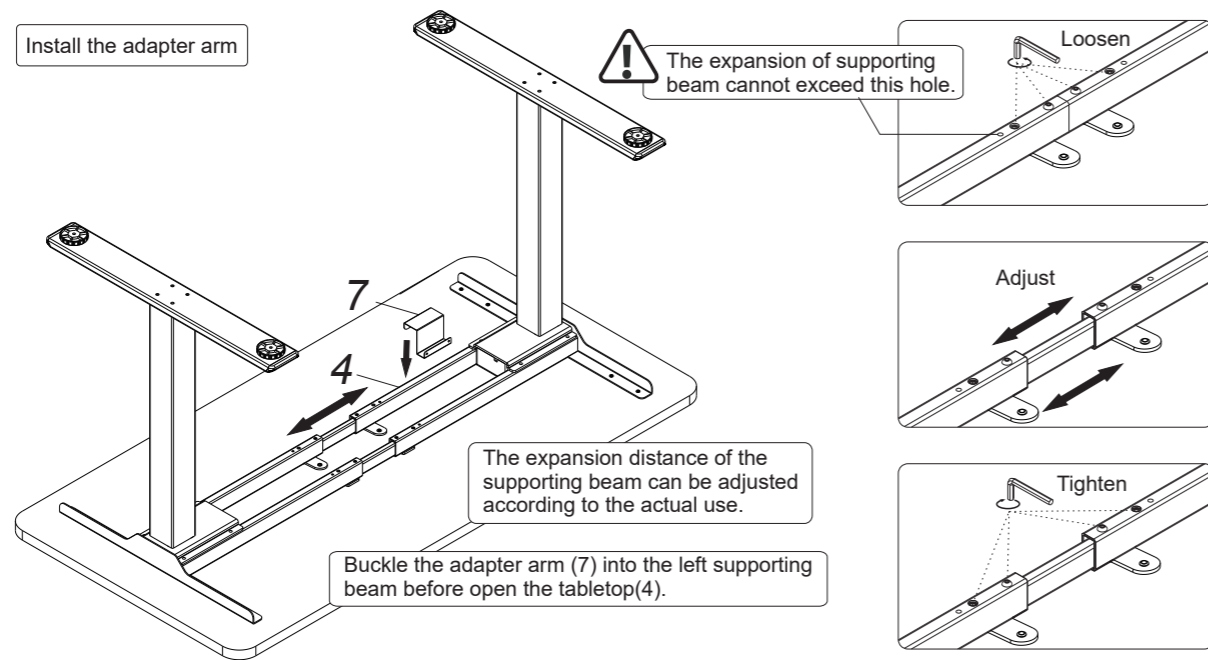
Install the feet



Connect the feet(1) and the lifting column (2) with screws (C), and tighten them with the allen key (G).

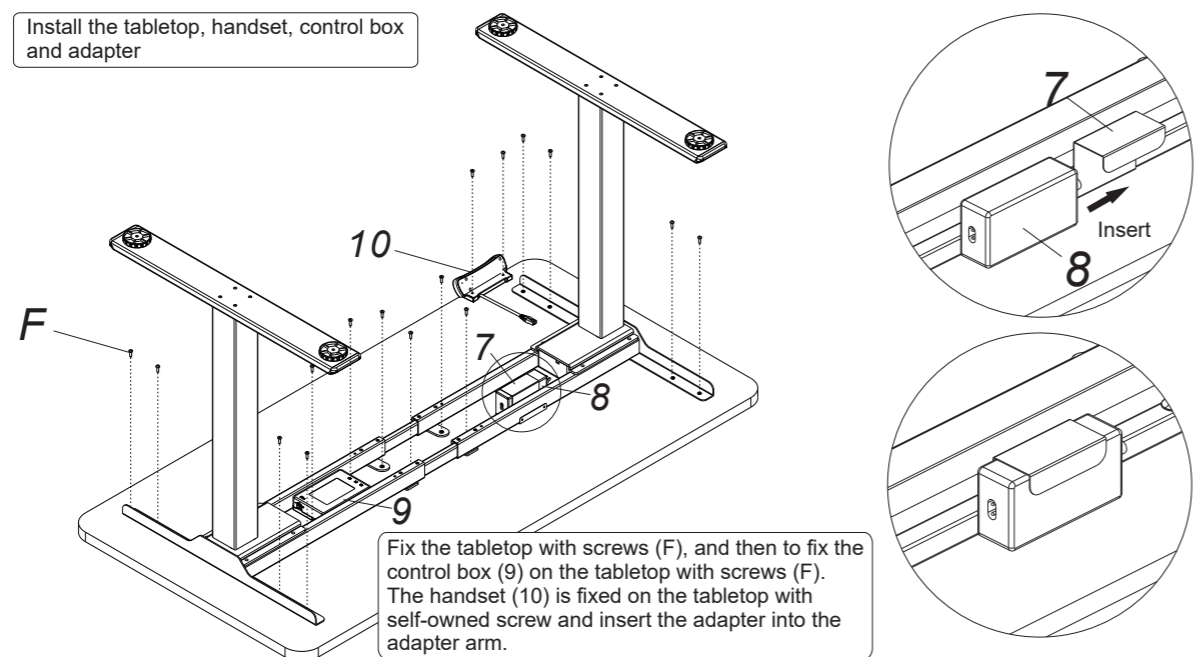
## STEP 4

Install the adapter arm



## STEP 5

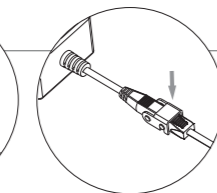
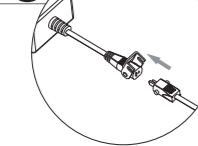
Install the tabletop, handset, control box and adapter



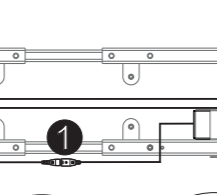
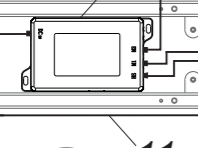
## STEP 6

Connect cables to the control box

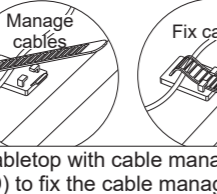
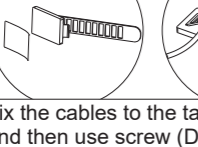
1



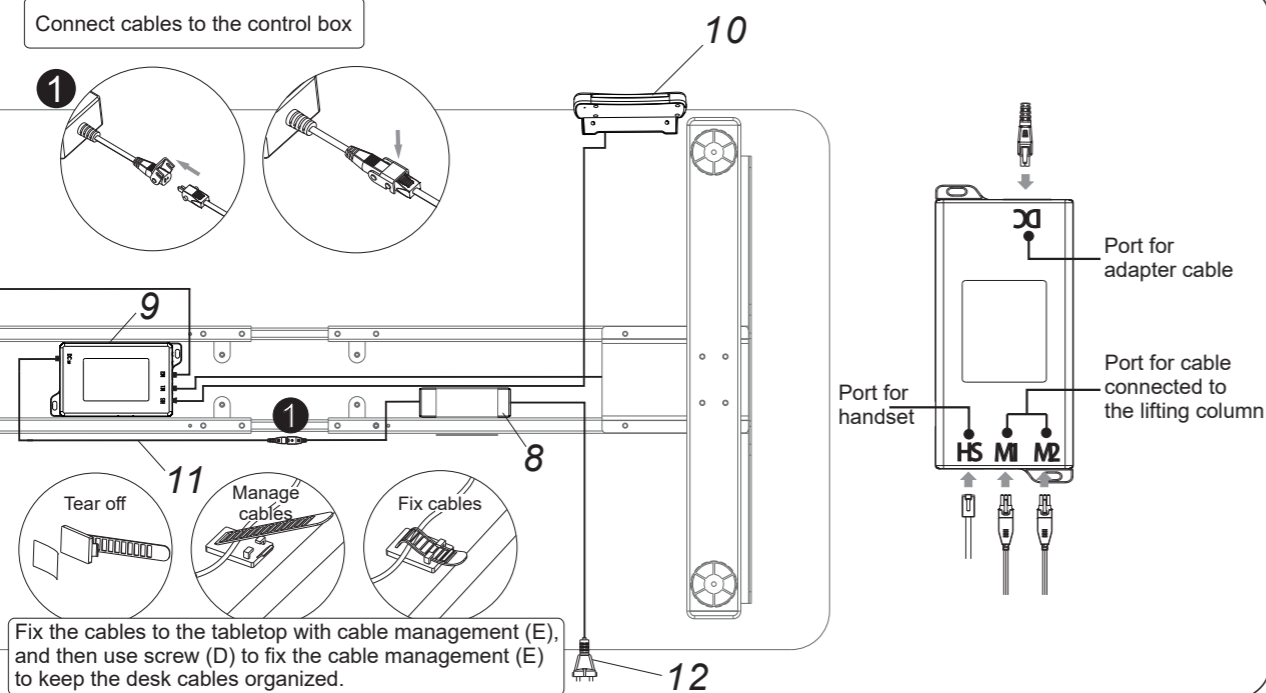
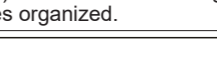
1



11

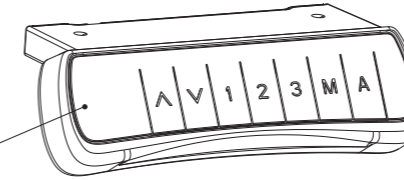


12



How to use handswitch

Button



LED Display

Bottom introduction: There are seven buttons that

"▲", "▼", "1", "2", "3", "M", "A"

(1) "▲" : Adjust the desk upwards

(2) "▼" : Adjust the desk downwards

(3) "1" : Position 1, first height position saved by the user

(4) "2" : Position 2, second height position saved by the user

(5) "3" : Position 3, third height position saved by the user

(6) "M" : Height memory function

(7) "A" : Alert button to remind users changing posture

Instruction

- Height Adjustable Function:  
Press the "▲" or "▼" button to adjust the height. The LED display shows the current height.
- Height Memory Function:  
a. Press UP or DOWN button and adjust the height to the desired height. Press "M" to save the height, and the screen will display "5-": Press "1", "2", or "3" then, that is, save the height to the corresponding position 1 or 2 or 3, which will show in the display screen as "5-1", "5-2", or "5-3";  
b. Press "1", "2" and "3" button directly to automatically adjust the memory height you saved.
- Reminder Function:  
a. Press REMINDER button "A" to activate the function. The LED display shows "00" b. Two seconds later, press the "▲" or "▼" button to adjust the reminder time only when the display screen flashes. The default time of the reminder is 45 minutes, which is shown as "45". Then press any button to save the time setup, or wait 5 seconds and system will save the time setup automatically. During the countdown, any operation will lead to a repeat starting of the timer. When the countdown finishes, display screen will show "00" the buzzer will be active with a 10-second "DiDi...DiDi...DiDi..."tone.  
c. Within the 10-second reminder buzz, press any button to reactivate the time countdown that is set up in (b) step. If no operation during the 10-second reminder buzz, there will be another reminder buzz after 5 minutes. No operation during the second buzz will turn off the Long-Time Sitting Reminder.  
d. Press and hold the "A" button for three seconds to turn off the Long-Time Sitting Reminder. The LED display shows "0ff".
- Anti-collision sensitivity adjustment - optional features:  
a. Press and hold the "▲" "▼" button for 5 seconds at the same time to switch the sensitivity. Switch one file f or 1 time and divide it into 4 files (A-3, A-2, A-1, A-0);  
b. The display shows "A-0", the anti-collision function is off; the display shows "A-1", low sensitivity; Display shows "A-2", medium sensitivity; display shows "A-3", high sensitivity; (factory default is A-3);  
c. During height adjustment, when tabletop comes in contact with another object, it instantly stops and reverses to avoid damage.  
d. Press and hold the "▲" "▼" button for 5 seconds at the same time. If the display does not display the above code, there is no anti-collision function.
- Troubleshooting:  
a. Reset: When the LED shows "A5f", press "▼" button until the desk reaches its lowest height and rebounds to stop, it means the reset has been finished.  
b. When it doesn't work and the LED shows "E01" or "E02", please retry 18 mins later.  
c. If the "▼" button doesn't work, please check the cable connection and then cut off the power for at least 10 seconds. Reconnect to the power and press "▼" button to start the reset process when it shows the "A5f".  
d. If all these above process are inefficient, plz contact our customer service.

Optional module

The product has been designed to meet Commission Regulation with regard to ecodesign requirements for electric power consumption of standby mode of electrical and electronic household equipment.

The technical information of standby mode:

| Mode    | Power consumption (Watts) | The period(Minutes) |
|---------|---------------------------|---------------------|
| Standby | 0.4W                      | 1min                |

The website URL of the English - version electronic instruction manual:

### Common fault treatment

The following tips will help you detected and eliminate the common fault and error.If the fault you met is not listed below, please contact with your supplier. Only themanufacturer and professionals are capable for investigating and correcting those fault and error.

| Fault phenomenon  | Method  |
|---|---|
| No response while long pressing down arrow after connected with a power supply      | 1.Check if all the cables be connected well   |
|   | 2.Contact your supplier or dealer   |
| No response while pressing up arrow/ down arrow after connected with a power supply | 1.Check if all the cables be connected well   |
|   | 2.Contact your supplier or dealer   |
| Rising in a low speed   | 1. Check if overloaded, max loading: 100kg;   |
|   | 2. Contact your supplier or dealer  |
| The motor not move as instructed  | 1. Contact your supplier or dealer  |
| Go down but not go up   | 1.Reposition  |
|   | 2.Contact your supplier or dealer   |
| Downward sliding  | 1. Check if overloaded, max loading: 100kg;   |
|   | 2. Contact your supplier or dealer  |
| Frequently Reposition   | 1. Check if overloaded, max loading: 100kg;   |
|   | 2. Contact your supplier or dealer  |
| Overwork<br>(Duty cycle: Max 2min on/18min OFF)                                     | 1. Restart after suspend for 18mins while connecting with power;  |
|   | 2. Contact your supplier or dealer;   |
| Not enough up&down height   | 1. Press "M"and "3" together for 3 seconds or more , after hearing continuous beeping for twice, it will restore factory settings |
|   | 2. Contact your supplier or dealer  |



### Attention

1. Power supply: AC100V-240V,50/60Hz
2. Service Environment: 0-40℃
3. Unplug the power plug before cleaning, wipe the dust on surface with slight wet dishcloth when cleaning, be careful not to let the drops into the internal parts, not loose the connector.
4. The electric box contains electronic components, metals, plastics, wires etc., so dispose of it in accordance with each country's environmental legislation, not the general household waste.
5. Check carefully to ensure correct and complete assembly before using.
6. Be familiar with all functions and program settings of the product before first use.
7. Children are forbidden to play on the product because of unforeseen action when playing, so any dangerous consequences caused by this improper action will not be on manufacturers.
8. Slight noise caused by the V-ribbed belt or brake system due to structure will not have any effect on the use of the equipment.
9. Corrosive or abrasive materials are forbidden to clean the equipment. Must ensure that the cleaner used will not pollute the environment.
10. This appliance can be used by children aged from 8 years and above and persons with reduced physical, sensory or mental capabilities or lack of experience and knowledge if they have been given supervision or instruction concerning use of the appliance in a safe way and understand the hazards involved. Children shall not play with the appliance.
11. Cleaning and user maintenance shall not be made by children without supervision.
12. If the supply cord is damaged, it must be replaced by the manufacturer, its service agent or a similarly qualified person in order to avoid a hazard.
13. Please make sure there is no hazard sources in your operating environment. e.g., do not litter the tools around. Always be careful to treat the packaging materials in order to avoid any possible danger, e.g. plastic bag may lead to choking hazard to children.
14. Keep the original package of the equipment if necessary in case of the future use in transportation.

### Waste disposal



This marking indicates that this product should not be disposed with other household wastes. To prevent possible harm to the environment or human health from uncontrolled waste disposal, recycle it responsibly to promote the sustainable reuse of material resources. To return your used device, please use the return and collection systems or contact the retailer where the product was purchased. They can take this product for environmental safe recycling.