

Item No.: DUS560DW
Installation guide

M4x0.47in A (8PCS)
M5x0.47in B (8PCS)
M6x0.47in C (3PCS)
Ø6.5xØ13x2 D (16PCS)
M6 Box wrench E (1PC)
4X4 Allen key F (1PC)
5x5 Allen key G (1PC)

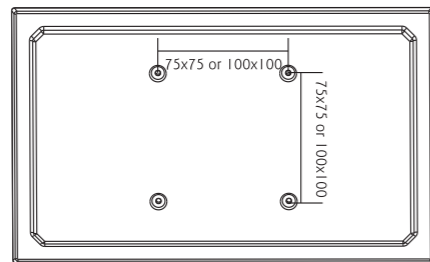
1. Arm connector
2. Clamp support 1
3. Clamp knob
4. Anti-slip rubber
5. Anti-slip rubber
6. Cable cover
7. Grommet support 2
8. Grommet support 2 – screw
9. Anti-slip rubber
10. Grommet support 2 – washer
11. Grommet support 2 – knob



STEP 1

Preparations before installing monitor

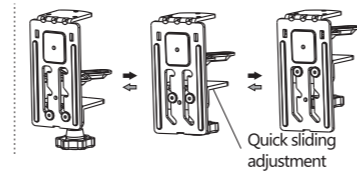
1. Make sure there are VESA holes 100x100mm or 75x75mm in the monitor. If not, the mount cannot be installed.
2. Remove the original fixed base of monitor. Be careful not to scratch the screen.



STEP 2-A

Option 1: Clamp

Select proper position according to thickness of desk



1. Attach the arm connector (1) to the monitor using the 4x4 Allen key (F).
2. Attach the clamp support (2) to the monitor using the 4x4 Allen key (F). Tighten (3).
3. Attach the clamp knob (3) to the clamp support (2).
4. Mount the assembly onto the desk. For desk thickness: 20-100mm.

STEP 2-B

Option 2: Grommet

1. Attach the arm connector (1) to the monitor using the 4x4 Allen key (F). Keep the counterbore side down.
2. Attach the anti-slip rubber (5) to the arm connector (1).
3. Mount the assembly onto the desk. Available hole size: Ø8.5mm-Ø70mm.
4. Attach the grommet support 2 (7) to the desk using the 5x5 Allen key (G).
5. Attach the grommet support 2 – screw (8) and washer (10) to the desk using the 5x5 Allen key (G).

STEP 3

Install the monitor to the plate

1. Align the monitor with the plate. Use washer if needed (D).
2. Attach the plate to the monitor using the 5x5 Allen key (G).
3. Attach the plate to the desk using the 5x5 Allen key (G).

STEP 4

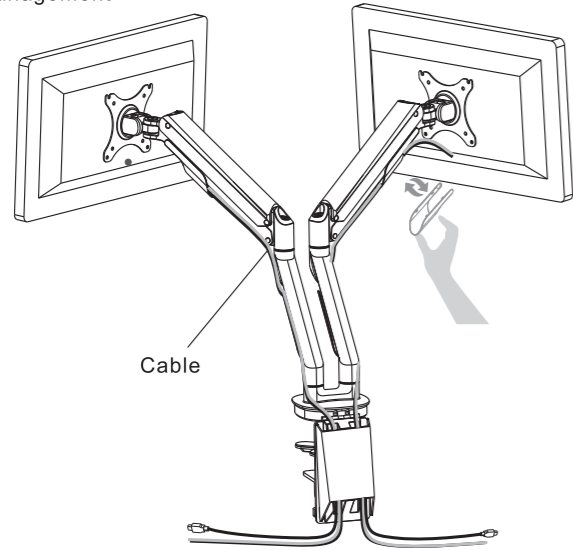
Adjust the monitor

Adjust monitor height according to preference with the 5x5 allen key (G). Turn the screw in "-" direction when the monitor up and "+" direction when it down Factory setting: 8.8-11lbs.

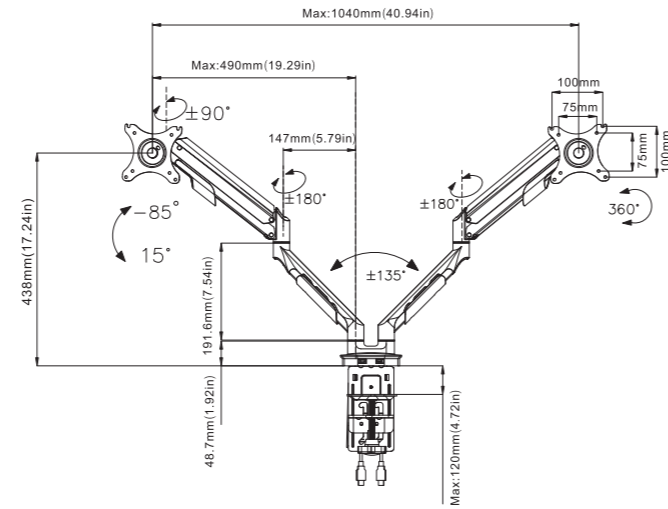
CAUTION

To adjust the swivel function with 5x5 allen key (G) on position 1
To adjust the tilt function with M6 box wrench (E) on position 2

Using cord management



Specification



CAUTION

This product contains small items that could be a choking hazard if swallowed. Keep these items away from young children.

- Make sure these instructions are read and completely understood before attempting installation. If you are unsure of any part of this installation, please contact a professional installer for assistance.
- The desk or mounting surface must be capable of supporting the combined weight of the mount and the display, otherwise the structure must be reinforced.
- Safety gear and proper tools must be used. A minimum of two people are required for this installation. Failure to use safety gear can result in property damage, serious injury or death.
- Please inspect joint parts every two months, making sure the screws are not loosened.

This product was designed to be installed on desk. Never exceed the maximum load capacity 19.8lbs, or else it may result in product failure or personal injury.

Note: this product is intended for indoor use only. Use of this product outdoors could lead to product failure or personal injury.

Warning: This product contains high pressure gas spring parts, please do not place it into a fire. High temperature or disassembling it, can lead to unexpected personal injury. The obsolete products can be sent back to the manufacturer or handed over to professional institutions.

To ensure the sealing performance of the gas spring, it is suggested to have complete adjustment to the upper arm (with spring) one time or several times every month.