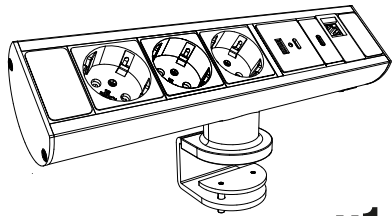


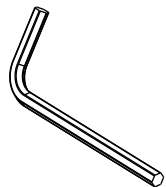
9102000209

3 socket type F, 1 USB-C charger, 1 USB-A charger, 1 USB-C port, 1 data

CONTENT:

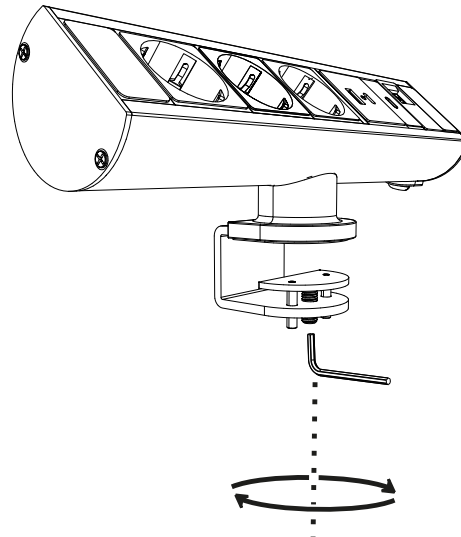


x1

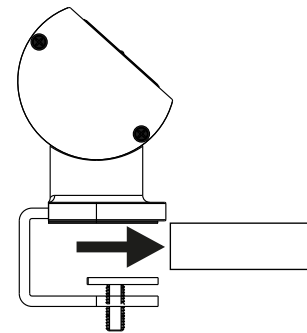


x1

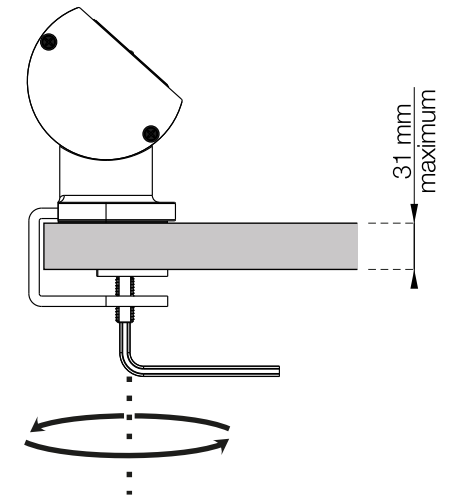
- 1** LOOSEN CLAMPS
Use 4mm Allen key to loosen the set screws.



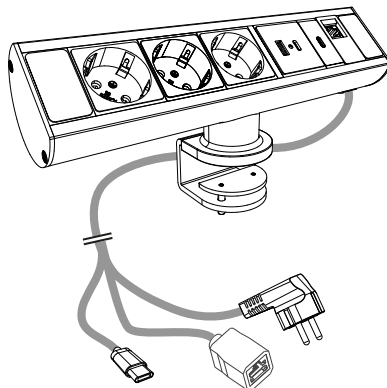
- 2** POSITION ON EDGE OF TABLE
Position the clamp so that the edge of the table top touches the edge of the clamp.



- 3** FASTEN CLAMP
Use 4mm Allen key to tighten the hexagon cup point screws. Turn clockwise to tighten and make sure that the product does not move if pushed or pulled.



- 3 Power sockets (Type F)
- 1 USB-A & 1 USB-C Charger ports (5V, 3.1A)
- 1 USB-C port
- 1 RJ45 Network port
- 1 Type F plug 1500 mm
- 1 USB-C Port plug ~950 mm
- 1 RJ45 port cable ~550 mm



- 4** PLUG IT IN
Plug the power plug to the intended power socket and start using.

