

# Quick Start Guide

## ≡ 快速启动指南 ≡

中文P13

**⚠ WARNING**  
**注意事项**

- 
1. Please refer to this Guide for initial printer setup.
  2. Hot! Avoid touching the heating nozzle in operation.
  3. Moving parts in the printer may cause injuries. Do not wear gloves or other sources of entanglement in operation.
1. 请参照本指南完成打印机的初始准备。
  2. 高温危险！打印机喷嘴在工作时会被加热，操作时请避免接触！
  3. 可动部件可能会造成卷入挤压和切割伤害。操作机器时请不要佩戴手套或缠绕物。
- 

**⚠ Safety Notice**  
**安全提示**

---

Do not power on the printer until installation is completed.  
请勿在打印机安装完成之前通电。

---



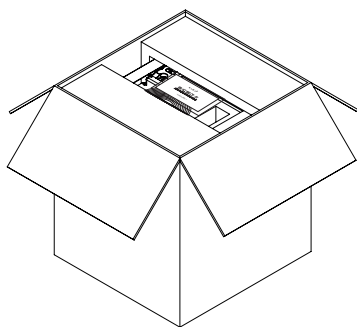
For more information, you can visit the Flashforge official website.  
[www.flashforge.com](http://www.flashforge.com) - [Support]



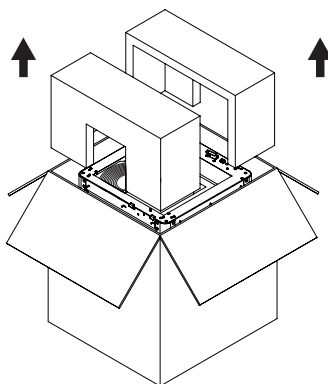
更多产品相关资料您可以登陆闪铸官网查看。  
[www.sz3dp.com](http://www.sz3dp.com) - [技术支持]

# Unboxing Instructions

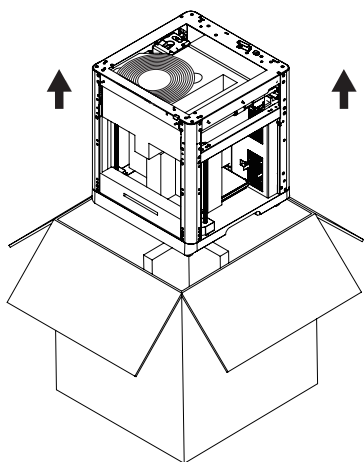
1. Open the box.



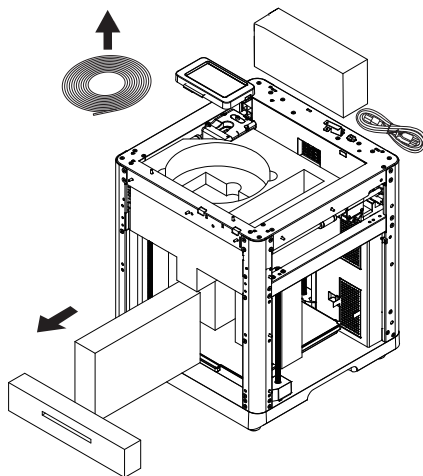
2. Remove the upper foam packaging, Quick Start Guide and After-sales Service Card.



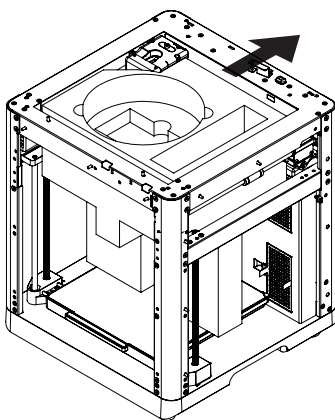
3. Take out the machine, place it on a level workspace and remove the packaging bags and tapes.



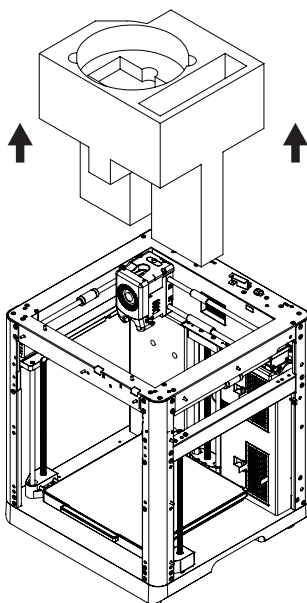
4. Remove the filament, power cable, screen, and accessory box from the chamber protective foam. Remove the inner protective foam from the extruder.



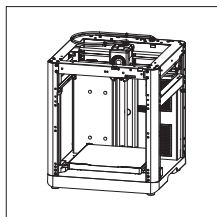
5. Move the chamber foam according to the arrow direction.



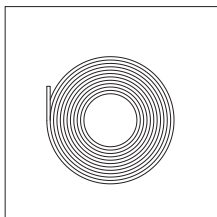
6. Remove the foam.



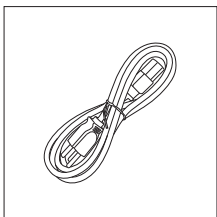
# Packing List



3D Printer



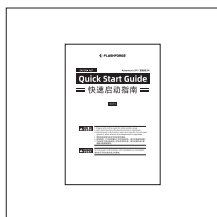
Filament



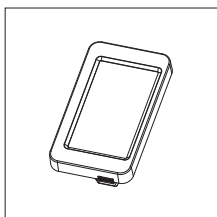
Power Cable



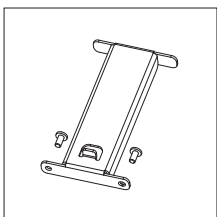
After-sales Service Card



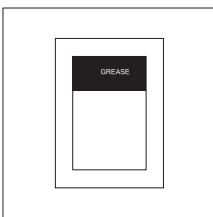
Quick Start Guide



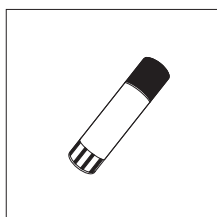
Touch Screen



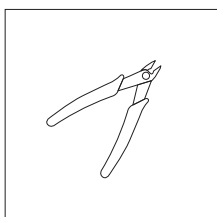
Spool Holder  
(with 2 screws)



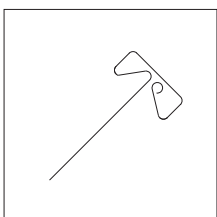
Grease



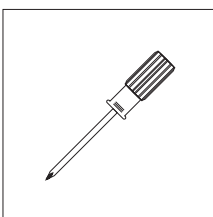
Glue



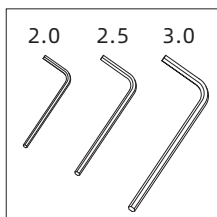
Diagonal Pliers



Unclogging Pin Tool

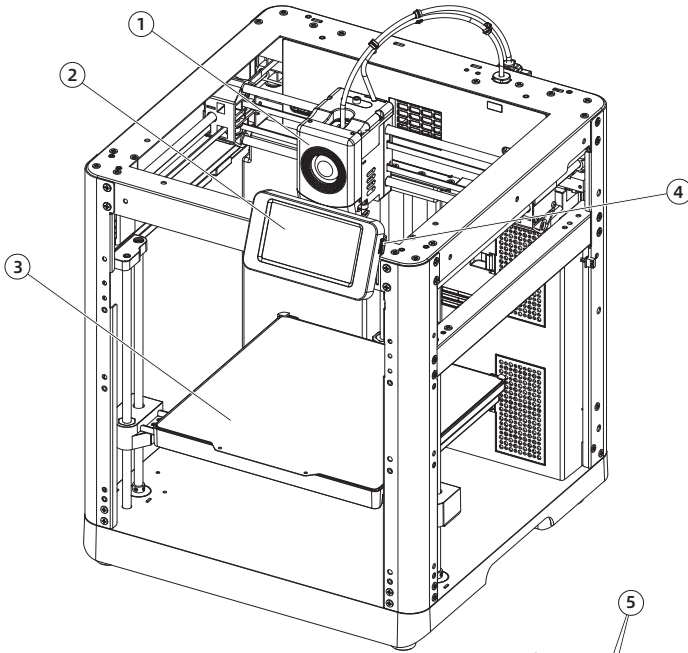


Screwdriver

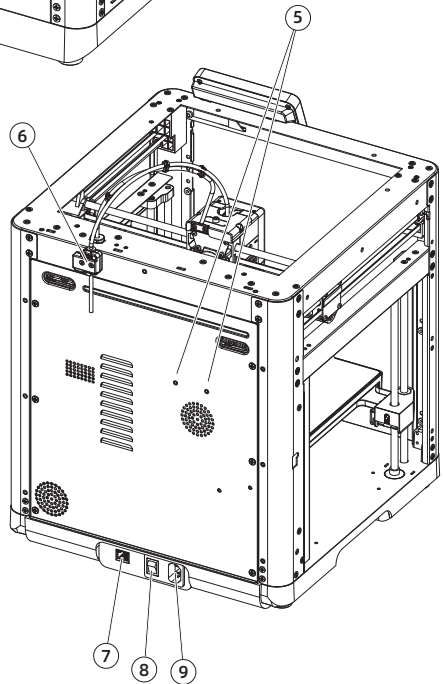


Allen Wrench

# Printer Components

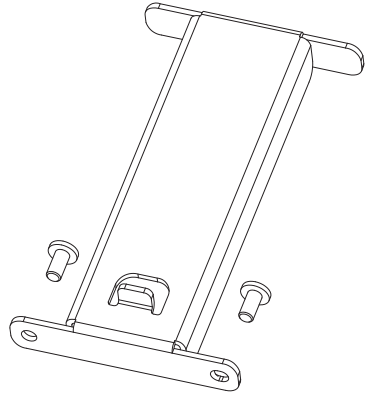


1. Extruder
2. Touch Screen
3. Build Plate
4. USB Port
5. Screw Holes for Spool Holder
6. Filament Detection Sensor
7. Ethernet Input
8. Power Switch
9. Power Socket

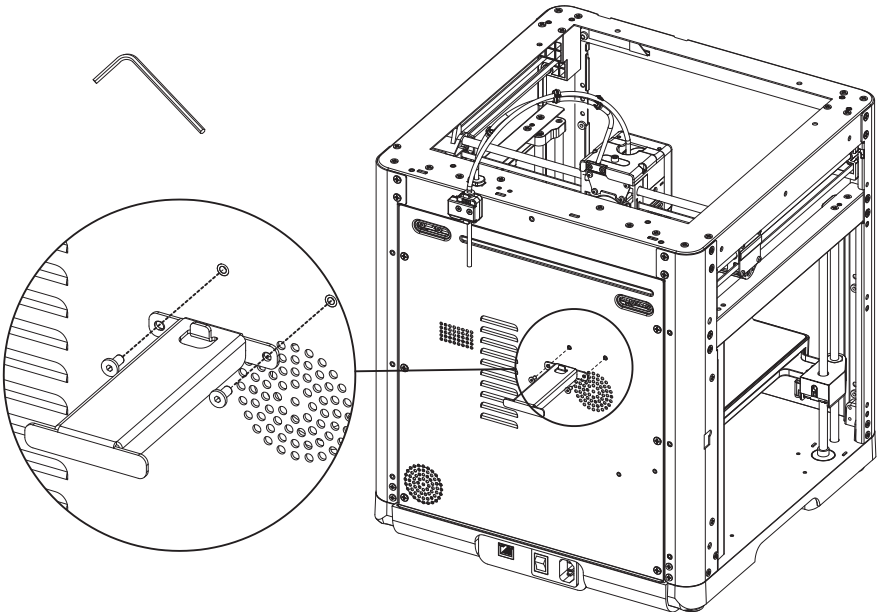


# Install the Spool Holder and Filament Guide Tube

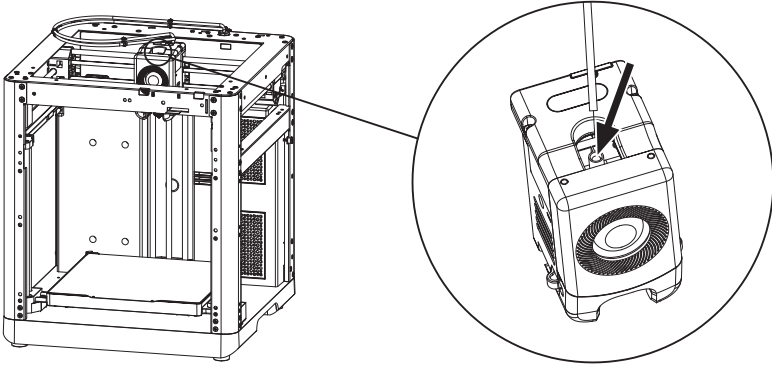
1. Take out the two screws and spool holder from the accessory box.



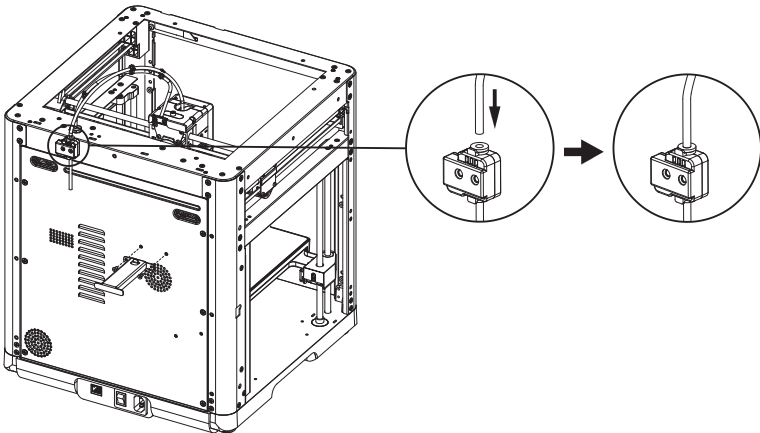
2. Install the spool holder at the position shown in the figure with the two screws. (Note: Please tighten them using a 2.0mm Allen wrench.)



3. Insert the filament guide tube to the extruder.



4. Insert the other end of the filament guide tube into the filament detection sensor.





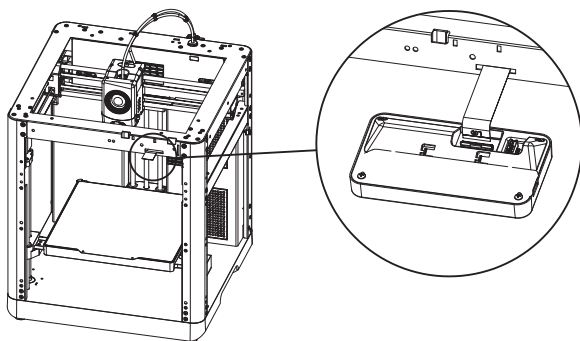
# Install the Screen



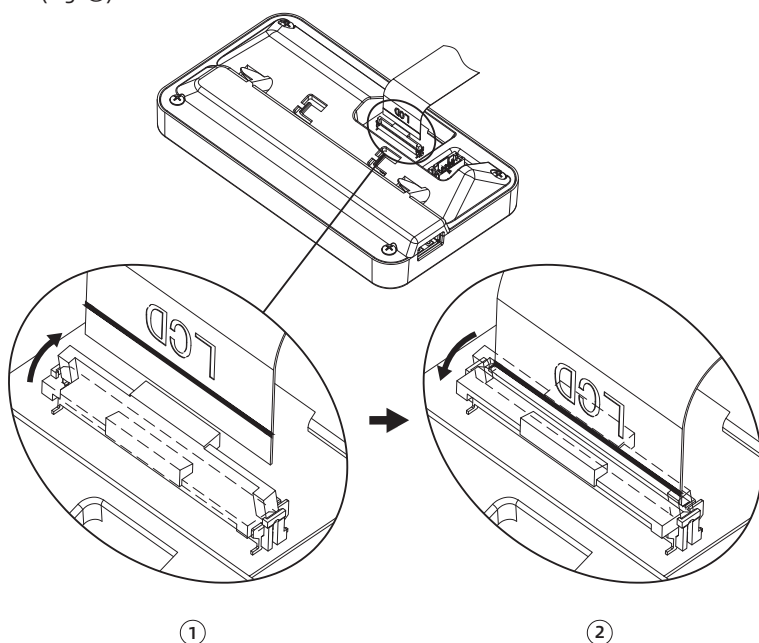
## Note

Before installation, please remove the tape of the screen cable. Tear it off gently to avoid damaging the cable.

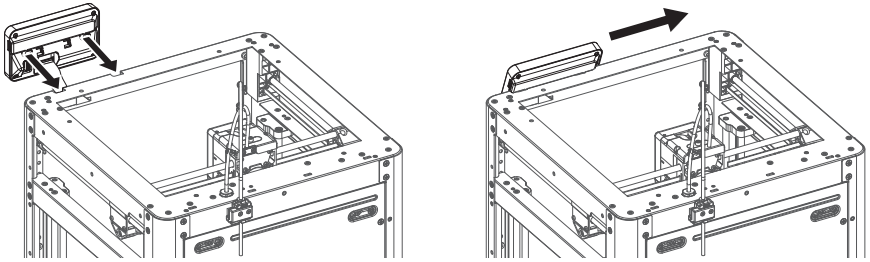
1. As shown in the picture, insert the screen cable into the screen connector.



- a. Lift the buckle on the screen's cable socket to the indicated position (Fig. ①), then insert the screen cable into the socket connector. Note: Ensure proper insertion and check alignment of the indicator line with socket.
- b. Press down the buckle on the cable socket to the indicated position according to the arrow direction (Fig. ②).



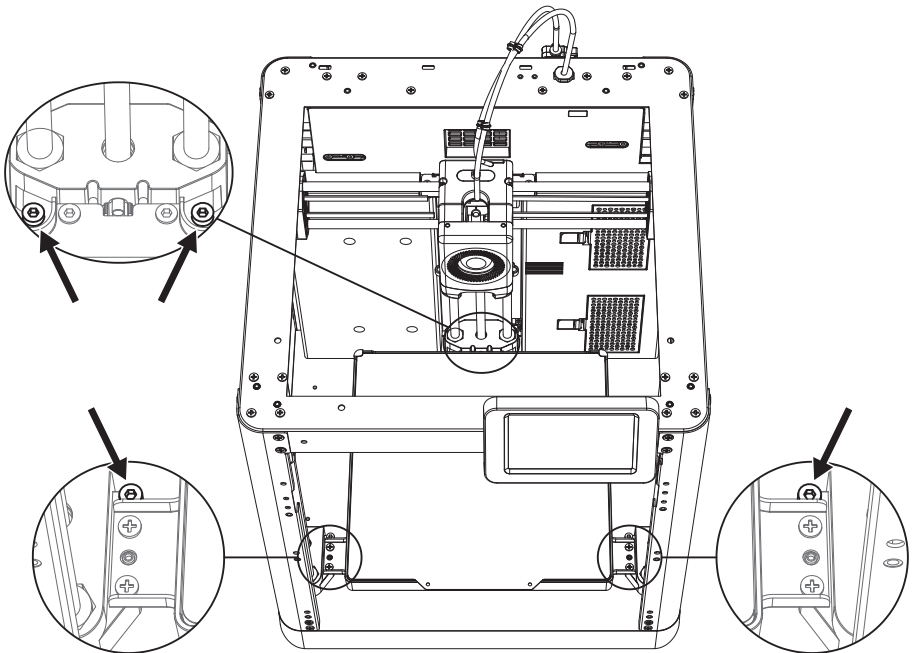
2. Insert the buckle on the back of the screen into the printer's slot, and push the screen according to the arrow direction to lock it in place.



## Unlock the Build Plate

**Note** Please ensure the platform has been cleared up.

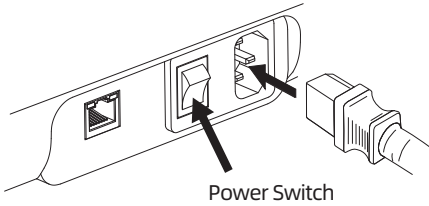
Please use a 2.0mm Allen wrench to remove four screws which lock the build plate (as indicated by the arrow).



# First Print

\* The interface layout may change whenever there is an upgrade of firmware.

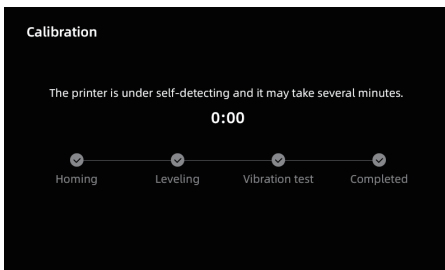
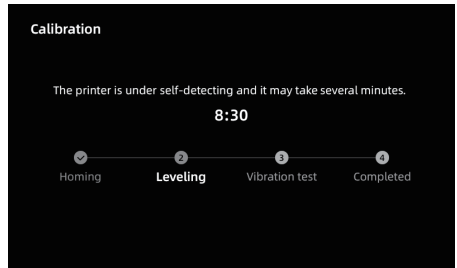
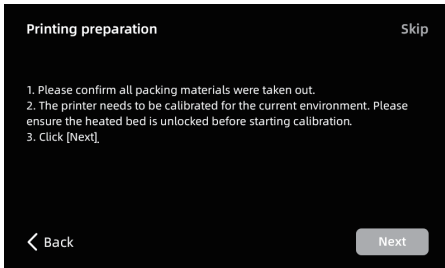
1. Power on the printer, turn on the power switch, and wait for the screen to respond.



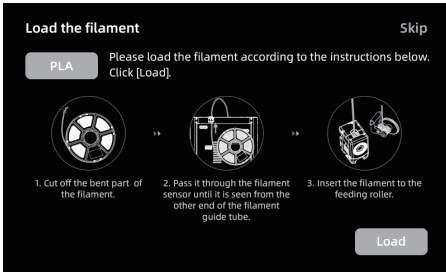
2. Following the guide on the screen, select the language.



3. Click [Next] and the machine will perform the first calibration. Vibrations and noise during calibration are normal. (Note: Please keep the machine on a stable surface and do not move it during calibration.)



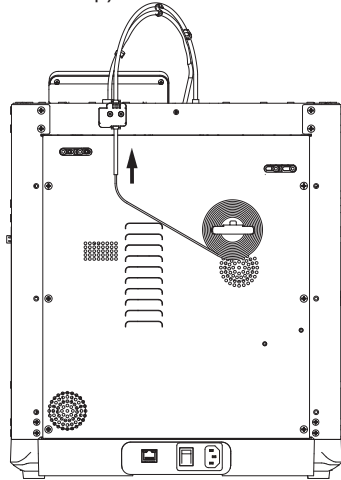
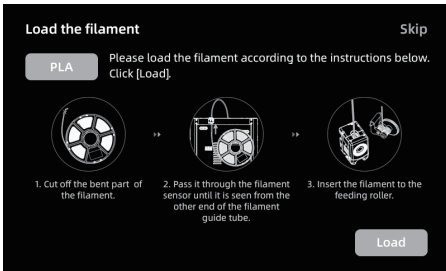
4. Load filament following the on-screen startup boot:



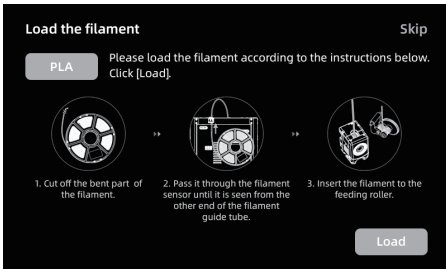
a. Cut off the bent part of the filament end.



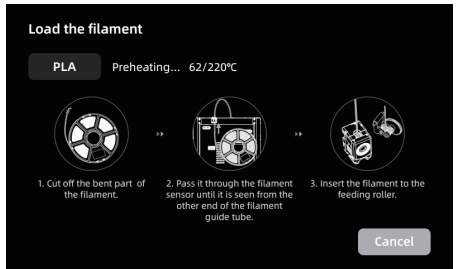
b. Hang the filament on the spool holder. Pass it through the filament sensor until it's seen from the other end of the filament guide tube. Push it forward to the feed roller, until it can not go further. (Please use PLA filament for the first print on initial setup).



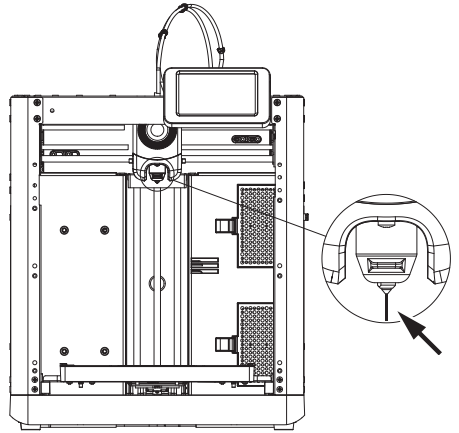
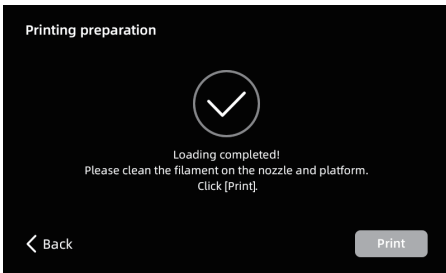
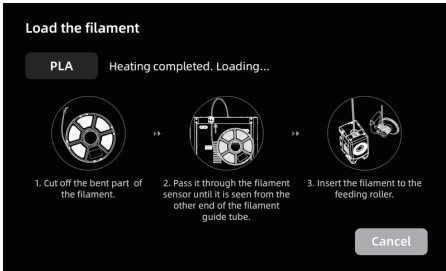
C1. Click [Load] and select [PLA] for the first print.



C2. Wait for the extruder to heat up.



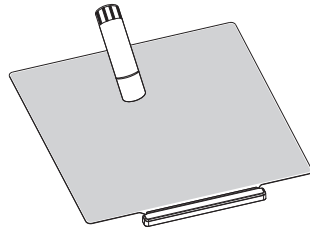
C3. Feeding will begin after heating. Successful filament extrusion from the nozzle indicates successful loading. Lastly, confirm the filament guide tube is properly inserted.



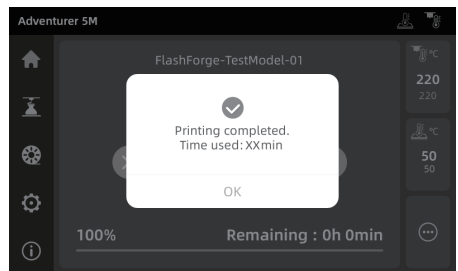
**⚠ Note**

If no filament is extruded, manually insert the filament into the inlet and click [Back] to retry. Feel for filament movement until it is extruded.

5. Please clear the filament residues on the nozzle and platform. Users must apply glue to the platform so as to improve adhesion for the first print.



6. Click [Print] and the machine starts printing the built-in file (configured for PLA material).

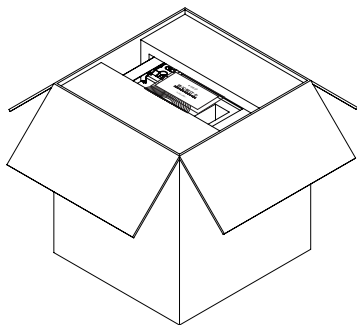


# Parameters

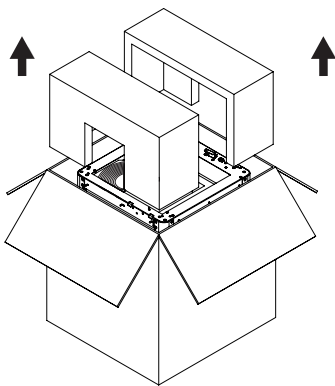
Machine Name	Adventurer 5M
Extruder Quantity	1
Printing Precision	±0.2mm [testing based on 100mm cubes]
Positioning Accuracy	X/Y-axis: 0.0125mm, Z-axis: 0.0025mm
Layer Thickness	0.1-0.4mm
Build Volume	220 x 220 x 220mm
Nozzle Diameter	0.4mm default [0.6/0.8/0.25mm optional]
Printing Speed	10-300mm/s
Max Acceleration	20000mm/s <sup>2</sup>
Max Travel Speed	600mm/s
Max Extruder Temperature	280°C
Supported Filament	*PLA/*PETG [0.4mm nozzle] *TPU/PLA-CF/PETG-CF [0.6/0.8mm nozzle] Note: Materials marked with * are recommended for printing.
Power Supply	Input: AC 100~120V/200~240V, 50/60Hz, 350W
Device Size	363 x 376 x 413mm [excluding the display screen and spool holder] 363 x 402 x 448mm [including the display screen, excluding the spool holder]
Net Weight	10.8kg
Connectivity	USB/Wi-Fi/Ethernet
Operating Temperature	15-30°C
Compatible Operating System	Windows 7/8/10/11; Linux: support version Ubuntu 20.04 or later; Mac OS: support version 10.9 or later
Slicing Software	FlashPrint 5
Max Platform Temperature	110°C
Leveling Method	One-click auto leveling
Filament Run-out Reminder	√
Power Loss Recovery	√
Smart Touch Screen	4.3-inch
Build Plate	PEI flexible steel plate

## 产品开箱

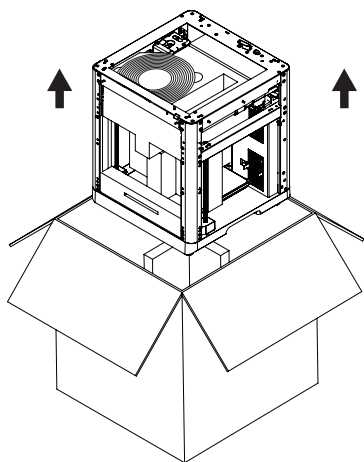
1. 打开纸箱。



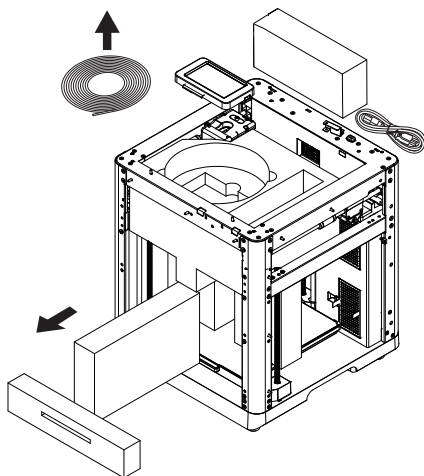
2. 取出上方固定泡棉以及快启售后服务卡。



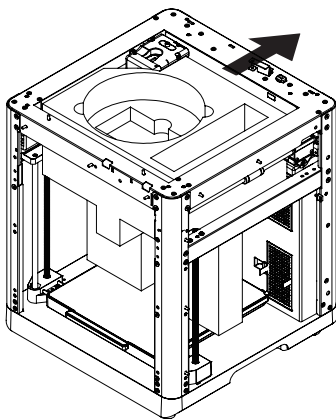
3. 取出机器放置水平桌面，去除包装袋和固定胶带。



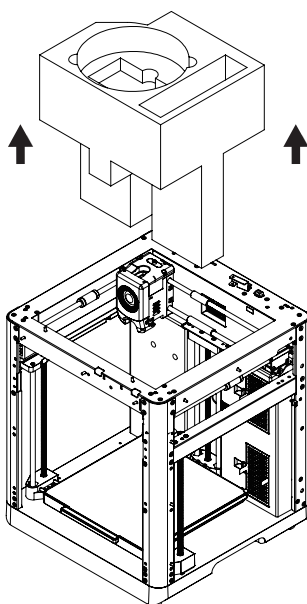
4. 取出腔体保护棉内的耗材、电源线、屏幕、配件盒和喷头内侧保护棉。



5. 按照箭头方向移动腔体泡棉。

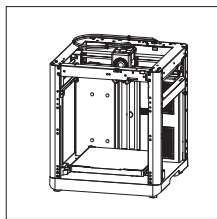


6. 取出泡棉，完成开箱。

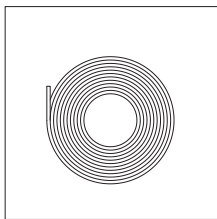




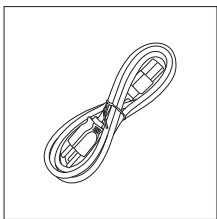
# 装箱清单



3D打印机



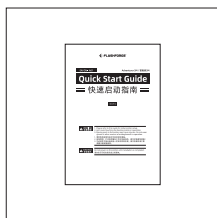
耗材



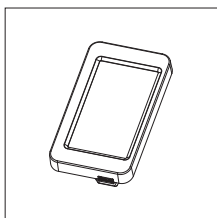
电源线



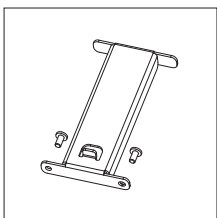
售后服务卡



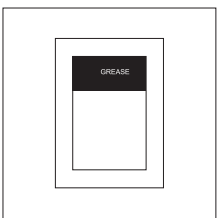
快速启动指南



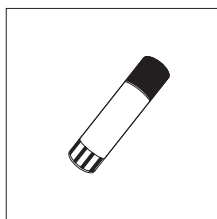
显示屏



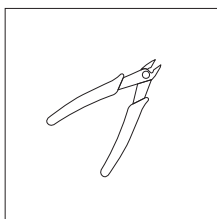
料盘支架  
[含两颗螺丝]



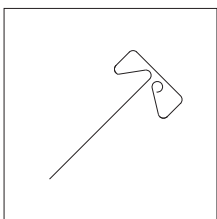
润滑脂



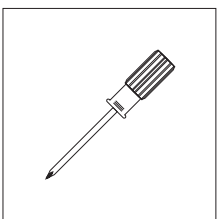
水洗胶



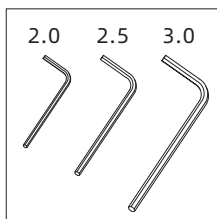
斜口钳



通针

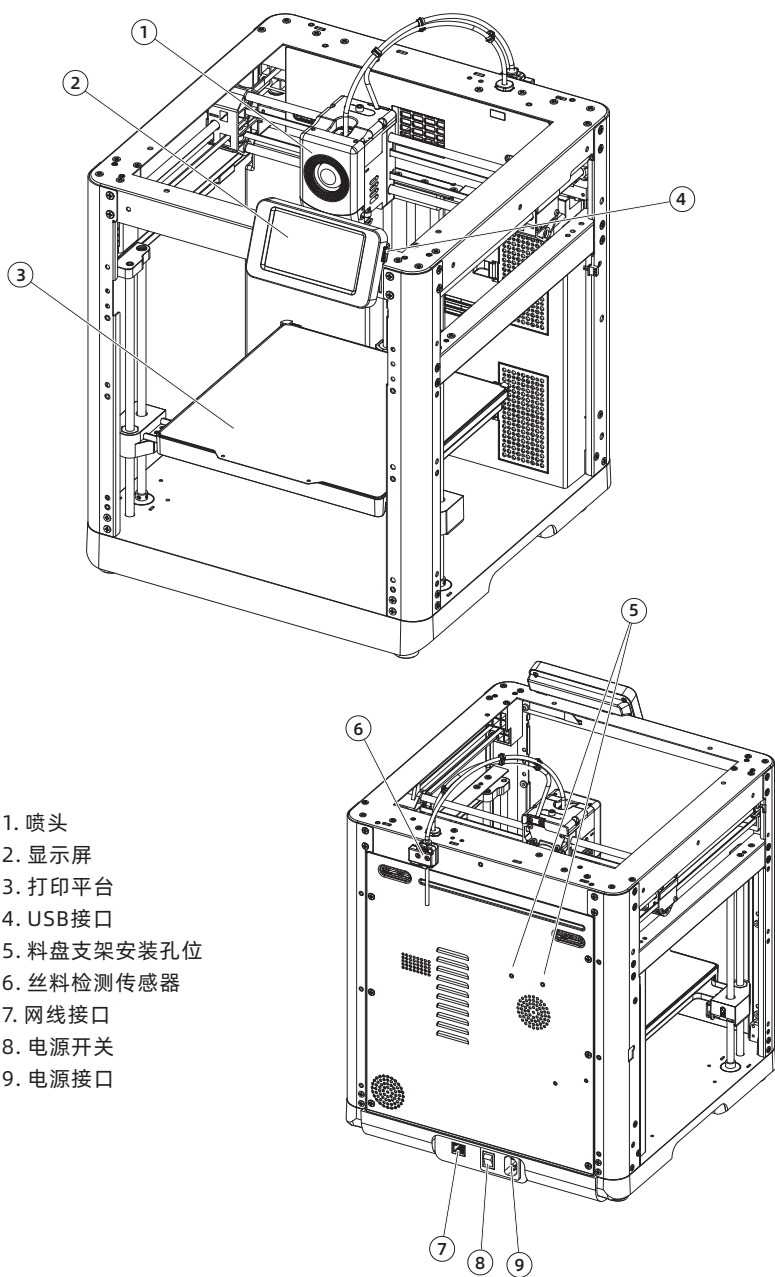


十字螺丝刀



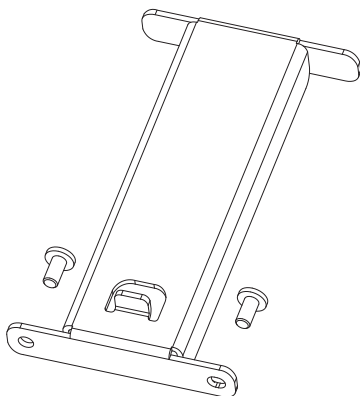
内六角扳手

## 部件介绍

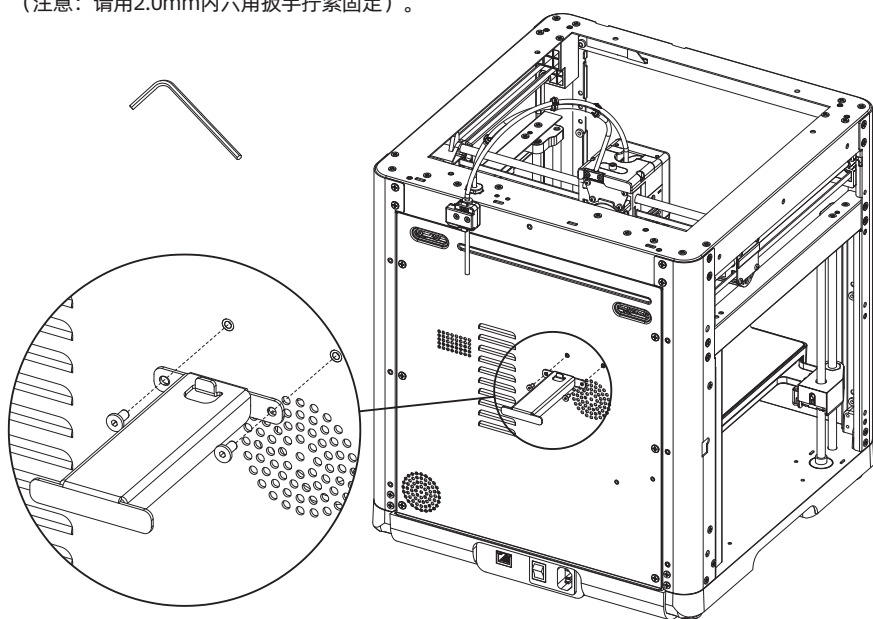


## 安装耗材架和导丝管

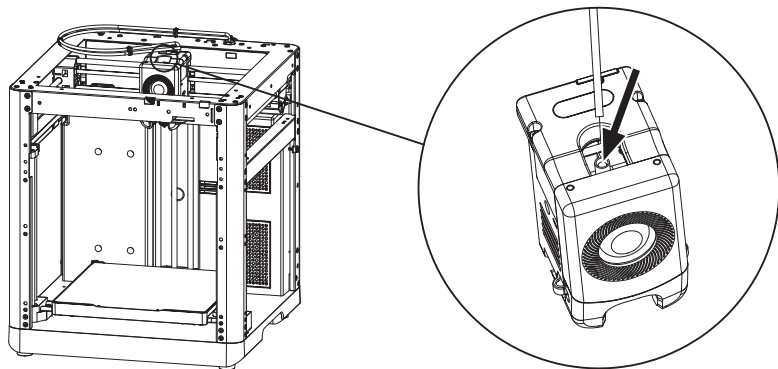
1. 取出配件盒中的两颗螺丝和料盘架。



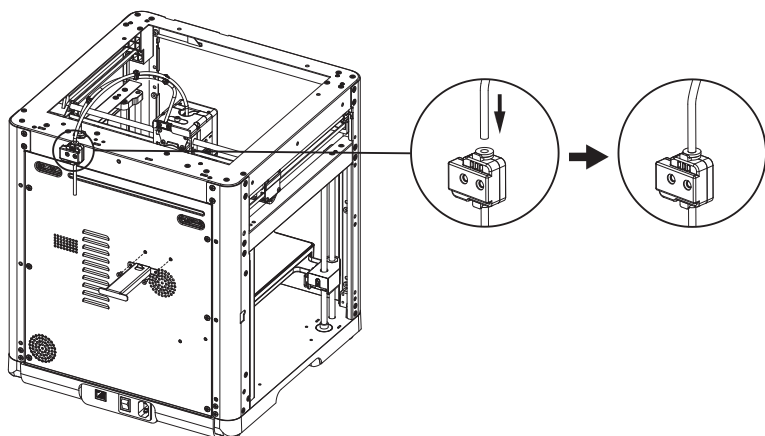
2. 用两颗螺丝将料盘架固定在如图背板位置  
(注意：请用2.0mm内六角扳手拧紧固定)。



3. 将导丝管前端插入到喷头导管中。



4. 将导丝管后端插入到丝料传感器的卡扣中。



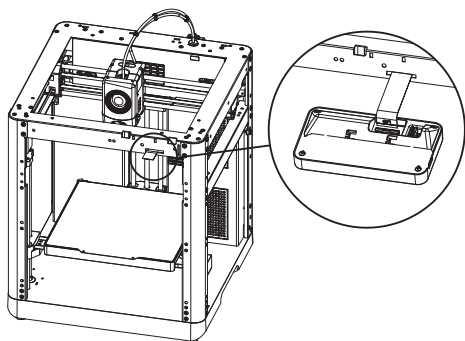
## 安装屏幕



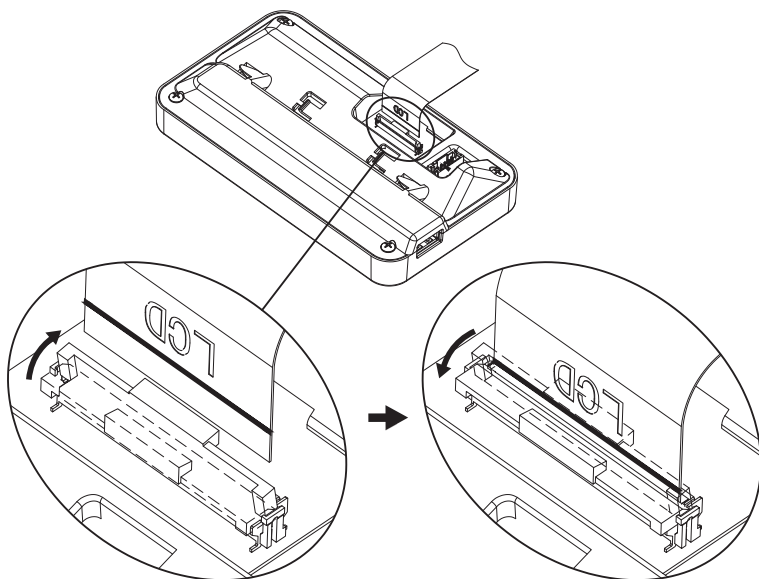
### 注意事项

安装前需取下屏幕排线固定胶带。请轻撕，以免拉扯到排线。

1. 如图所示，将屏幕排线插入屏幕连接接口。



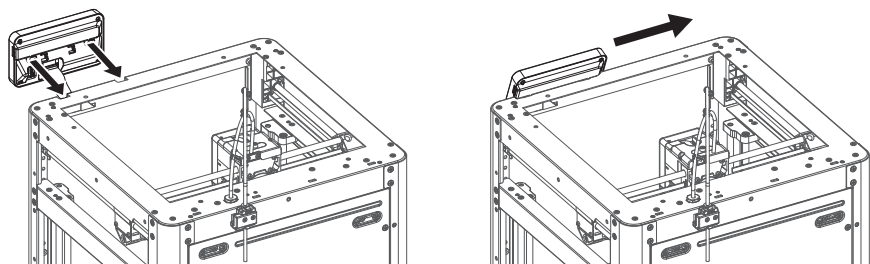
- a. 将屏幕上的排线插座上的卡扣按箭头方向抬至图示位置（图示1）；然后将屏幕排线插入排线插座连接接口。注意：排线需插接到位，检查指示线与插座齐平。
- b. 将排线插座上的卡扣按箭头方向向下压至图示位置（图示2）。



图示1

图示2

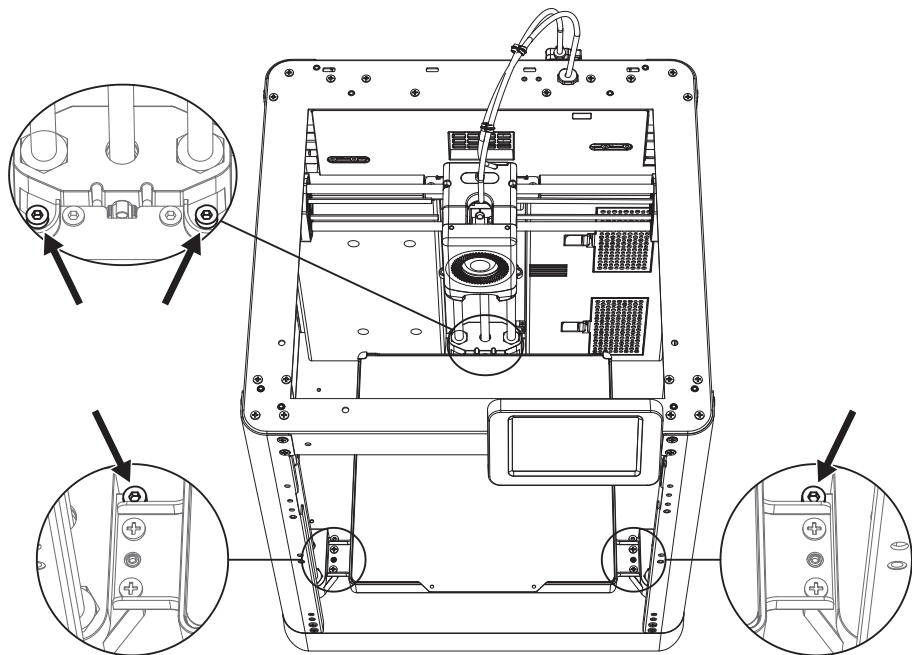
2. 将屏幕背面的卡扣插入打印机的槽内，并按箭头方向推动屏幕将其锁紧。



## 解锁平台

**⚠ 注意事项** 请确认打印平台无异物!

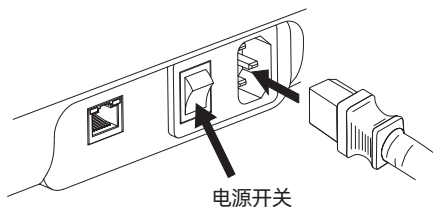
用2.0mm内六角扳手取下图示中的4颗螺丝（可参照机器上箭头标识），解锁打印平台。



# 首次打印

\* 固件不定期更新，UI界面请以实际为准。

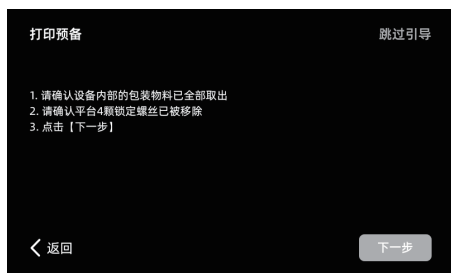
1. 连通电源，打开电源开关点亮屏幕。



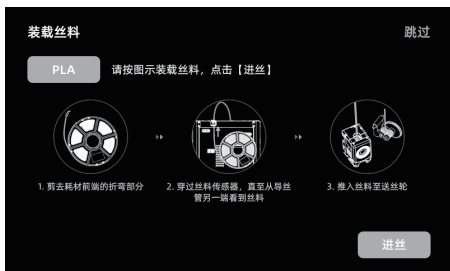
2. 根据屏幕上的开机指引完成界面语言选择。



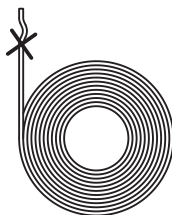
3. 点击[下一步]，机器进行首次校准。校准过程中出现震动和噪音属于正常现象。（注：请将机器放置于稳定的平台面，且校准过程中请勿移动机器。）



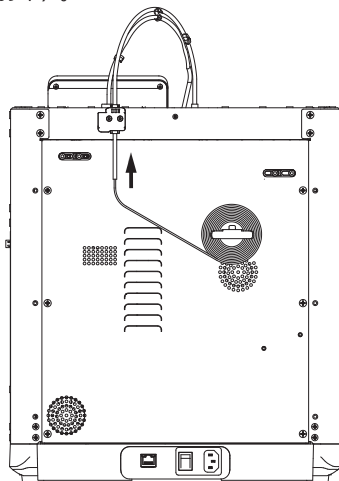
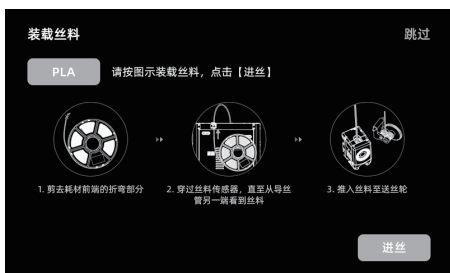
#### 4. 根据屏幕开机指引完成耗材安装进丝操作：



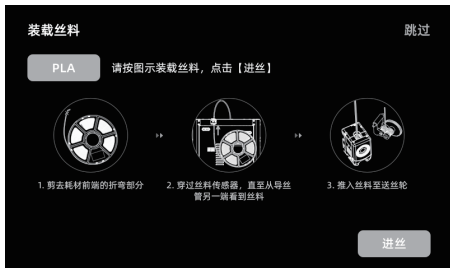
#### a. 剪去耗材头部弯折部分。



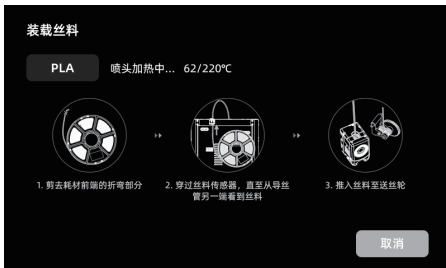
#### b. 将耗材挂在耗材架上，穿过丝料传感器，直至从导丝管一端看到丝料，将丝料推送到送丝轮处，直到无法再推入（\*首次开机请使用PLA耗材进行第一次打印）。



#### C1. 点击进丝，首次选择默认[PLA]。

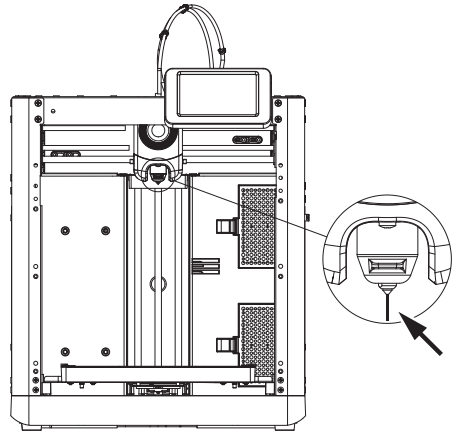


#### C2. 等待喷头加热。





C3. 加热后将开始进丝，直至丝料从喷嘴吐出，说明进丝成功，最后确认导丝管也已完好的插入进丝口。

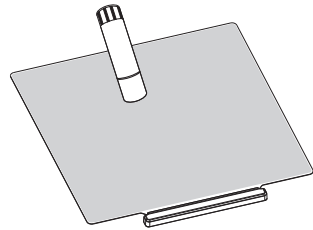


### ⚠ 注意事项

若一直未见丝料吐出，请用手握住丝料，插入进丝口，点击[返回]重新进行进丝操作。用手感受是否有丝料输送，直到丝料吐出。

5. 清理喷嘴残料以及平台上残余耗材，在打印平台上涂一层胶水，请全幅面涂抹均匀。

注：涂抹胶水有利于改善模型粘附。



6. 点击[打印]，机器开始首次打印内置文件（该文件的配置参数使用的材料为PLA）。



## 技术参数

设备名称	冒险家5M
喷头数量	1
打印精度	±0.2mm [以100mm方块为测试基准]
定位精度	X/Y轴: 0.0125mm, Z轴: 0.0025mm
层厚度	0.1-0.4mm
打印尺寸	220 x 220 x 220mm
喷嘴口径	0.4mm默认[0.6/0.8/0.25mm可选]
打印速度	10-300mm/s
最大加速度	20000mm/s <sup>2</sup>
最大移动速度	600mm/s
最高喷头温度	280°C
支持耗材类型	*PLA/*PETG [0.4mm口径] *TPU/PLA-CF/PETG-CF [0.6/0.8mm口径] * 为推荐打印材料
电 源	输入: AC 100~120V/200~240V, 50/60Hz, 350W
设备尺寸	363 x 376 x 413mm [不含显示屏、料盘支架] 363 x 402 x 448mm [含显示屏、不含料盘支架]
净 重	10.8kg
打印连接方式	USB接口/Wi-Fi/以太网
工作温度	15-30°C
兼容的操作系统	Windows 7/8/10/11; Linux支持Ubuntu 20.04 及以上版本; Mac OS支持10.9及以上版本
切片软件	FlashPrint 5
平台最高温度	110°C
调平方式	一键自动调平
断丝提醒	√
断电续打	√
智能触控液晶屏	4.3英寸
打印平台	PEI柔性钢板





Follow us

**Zhejiang Flashforge 3D Technology Co., Ltd.**

Address: No.518 XianYuan Road, Jinhua City, Zhejiang Province, China

Service Hotline: +86 579 82273989

[support@flashforge.com](mailto:support@flashforge.com)