

Full-Color

Turret Network Camera

MODEL: VIGI C440(2.8/4mm)



4MP | H.265+

VIGI C440(2.8/4mm)



Human & Vehicle
Classification



Smart Detection



Active Defense



Two-Way Audio



Onboard Storage*

// Human & Vehicle Classification

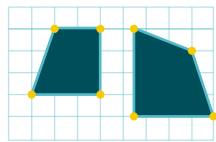
Intelligently distinguishes humans and vehicles from other objects, so you receive more accurate event notifications.



// Smart Detection



**Motion
Detection**



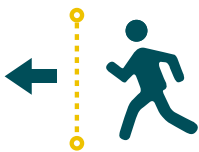
**Region
Intrusion**



**Object Removal
Detection**



**Region Exiting
Detection**



Line-Crossing



**Camera
Tampering**



**Object Abandoned
Detection**



**Region Entering
Detection**

// SmartVid



Smart IR

Keeps objects from being under-rendered when far away or overexposed when close to camera at night.



Wide Dynamic Range

Adjusts for lighting contrast to minimize shadowing effects and renders images true to life.



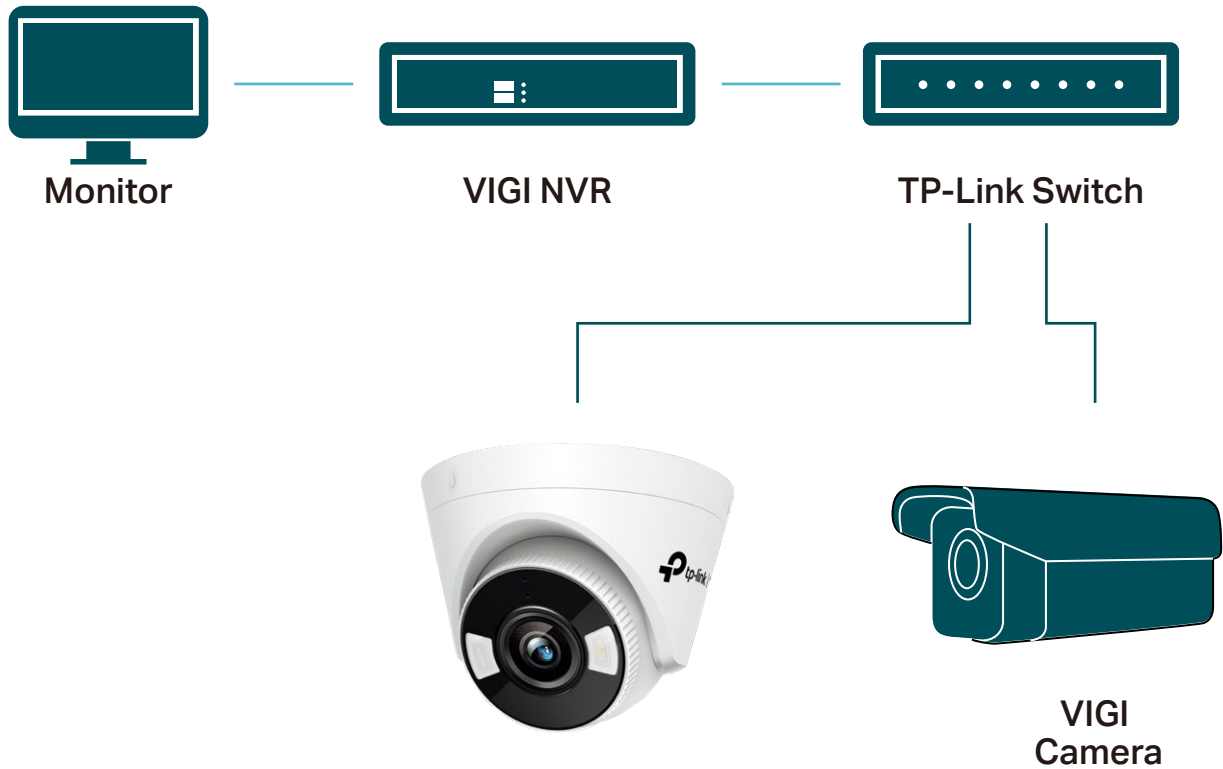
3D DNR

Removes abnormal pixelation to provide clearer video and eliminate distortion.

// VIGI Surveillance Solution

The VIGI professional surveillance system by TP-Link is dedicated to protecting the business that you've worked hard to build—whenever, wherever.

Outstanding functions, reliable quality guarantees, and simplified installation work together to ensure your business stays safe and sound.



// Flexible Installation

Easily route your camera's cable into a dropped ceiling or avoid drilling by slotting it through the camera's side outlet.



// Specifications

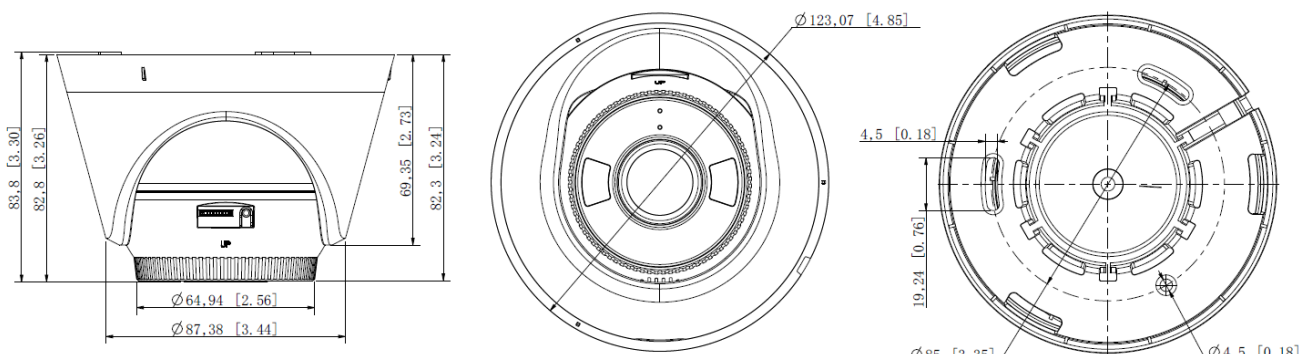
Camera					
Product Model		VIGI C440			
Image Sensor		1/3" Progressive Scan CMOS			
Shutter Speed		1/3 to 1/10000 s			
Slow Shutter		Yes			
Min. Illumination		0.005 Lux; 0 Lux with IR/white light			
Day & Night		IR Cut Filter			
Day/Night Switch		Day/Night/Auto/Schedule-Switch			
Lens					
Type		Fixed Focal Lens			
Focal Length		2.8 mm/4 mm			
Aperture		2.8 mm: F1.6 4 mm: F1.6			
FOV		2.8mm: Horizontal FOV: 101°, Vertical FOV: 57°, Diagonal FOV: 123° 4mm: Horizontal FOV: 86°, Vertical FOV: 48°, Diagonal FOV: 103°			
Lens Mount		M12*P 0.5			
DORI Distance	Lens	Detect	Observe	Recognize	Identify
	2.8 mm	64 m (209 ft)	27 m (87 ft)	13 m (42 ft)	6 m (21 ft)
	4 mm	80 m (262 ft)	33 m (109 ft)	16 m (52 ft)	8 m (26 ft)
Angle Adjustment (Manual)					
Range		Pan: 0° to 360°, Tilt: 0° to 85° Rotate: 0° to 360°			
Illuminator					
IR LED		Quantity: 2 Range: 30m Wavelength: 850nm			
White LED		Quantity: 2 Range: 30m			
Illuminator On/Off Control		Auto/Scheduled/Always on/Always off			
Video					
Max. Resolution		2560X1440			

Main Stream	<p>Frame Rate 50Hz: 1fps, 5fps, 10fps, 15fps, 20fps, 25fps 60Hz: 1fps, 5fps, 10fps, 15fps, 20fps, 25fps, 30fps</p> <p>Resolution: 2560x1440, 2304x1296, 2048x1280, 1920x1080, 1280x720</p> <p>Note: If the image rotation is set to 90° or 270°, the frame rate only supports up to 20fps.</p>
Sub-Stream	<p>Frame Rate: 50Hz: 1fps, 5fps, 10fps, 15fps, 20fps, 25fps 60Hz: 1fps, 5fps, 10fps, 15fps, 20fps, 25fps, 30fps</p> <p>Resolution: 640x480, 352x288, 320x240</p> <p>Note: If the image rotation is set to 90° or 270°, the frame rate only supports up to 20fps.</p>
Bit Rate Control	CBR, VBR
Video Compression	Main Stream: H.265+/H.265/H.264+/H.264 Sub-Stream: H.265/H.264
H.264 Type	Main Profile/High Profile
H.264+	Main Stream Supported
H.265 Type	Main Profile
H.265+	Main Stream Supported
Video Bit Rate	Main Stream: 256 Kbps to 4 Mbps Sub-Stream: 64 Kbps to 512 Kbps
Image	
Image Settings	Mirror, Brightness, Contrast, Saturation, Sharpness, Exposure, WDR, White Balance, Prevent Overexposure to Infrared Light, HLC Adjustable by Client Software, Rotation(90°/270°)
Image Enhancement	BLC/3D DNR/HLC/SmartIR/WDR
Wide Dynamic Range	DWDR
SNR	≥ 52 dB
Image Parameters Switch	Yes
Privacy Mask	Up to 4 Masks
ROI	1 Region
OSD Setting	Yes
Audio	
Audio Communication	Two-Way Audio
Audio Input	Yes
Audio Output	Yes
Audio Compression	Yes
Audio Sampling Rate	8KHz

Environment Noise Filtering	Yes
Audio Bit Rate	64 Kbps(G.711 alaw)
Network	
Protocols	TCP/IP, UDP, ICMP, HTTP, HTTPS, DHCP, DNS, RTSP, NTP, UPnP UDP, SSL/TLS, FTP/SFTP, RTP, IPv4, IPv6, ARP
Network Storage	NAS (NFS, SMB/ CIFS)
API	Open Network Video Interface (Profile S)
Web Browser	Google Chrome® 57 and above Firefox® 52 and above Safari® 11 and above Microsoft® Edge 91 and above
Security	Password Protection, HTTPS Encryption, IP Address Filter, Digest Authentication
Simultaneous Live View	3 Main Streams & 3 Sub-Streams
Client	VIGI App, VIGI Security Manager, VIGI NVR, Web
Cloud	Yes
ONVIF	Yes
Interface	
Network Interface	1 RJ45 10/100M Self-Adaptive Ethernet Port, PoE
On-board Storage	Built-In Memory Card Slot, Support MicroSD Card, Up to 512 GB
Built-in Speaker	Yes
Built-in Microphone	Yes; Records Anything Going on within a 15-ft Radius of the Camera
Audio	N/A
Alarm	N/A
Reset Button	Yes
Power	DC Power Port
Alarm and Event Management	
Smart Event	Human & Vehicle Classification, Area Intrusion Detection, Line-Crossing Detection, People Detection, Vehicle Detection, Region Entering Detection, Region Exiting Detection, Object Abandoned Detection, Object Removal Detection, Abnormal Sound Detection
Basic Event	Motion Detection, Video Tampering Detection, Exception (Illegal Login)
Alarm Linkage	Memory Card Video Recording, Message Push, Audible Warning, White Light Flashing
Linkage Method	N/A
Output Notification	Message Push
General	
Operating Temperature	-30–60 °C
Storage Temperature	-40–60 °C
Operating Humidity	95% or Less (Non-Condensing)

Storage Humidity	95% or Less (Non-Condensing)	
Power Supply	12V DC \pm 5%, 5.5mm Coaxial Power Plug PoE (802.3af/at, class 0)	
Power Consumption	Maximum	6.6 W
	Typical (Day Mode)	1.35 W
	Typical (Night Mode with IR LED)	3.13 W
	Typical (Night Mode with White LED)	3.34 W
Material	Plastic	
Product Dimensions (L x W x H)	Φ 123x84 mm	
Package Contents	VIGI Network Camera Quick Start Guide Mounting Accessories	
Net Weight	0.24 Kg	
Gross Weight	0.4 Kg	
Certifications	CE, EAC, UKCA, RCM, Triman, BSMI, VCCI, FCC, IC	

Dimensions



*SD card is not included in the package.

Specifications are subject to change without notice and can be found at www.tp-link.com.

©2023 TP-Link