

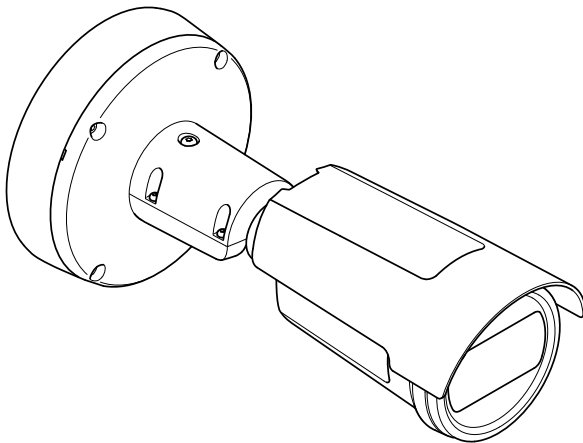
AXIS P14 Bullet Camera Series

AXIS P1465-LE Bullet Camera

AXIS P1465-LE 29 mm Bullet Camera

AXIS P1467-LE Bullet Camera

AXIS P1468-LE Bullet Camera



Installation Guide

Read this first

Read through this Installation Guide carefully before installing the product. Keep the Installation Guide for future reference.

Legal considerations

Video and audio surveillance can be regulated by laws that vary from country to country. Check the laws in your local region before using this product for surveillance purposes.

This product includes the following licenses:

- one (1) AAC decoder license
- one (1) H.264 decoder license
- one (1) H.265 decoder license

To purchase further licenses, contact your reseller.

Liability

Every care has been taken in the preparation of this document. Please inform your local Axis office of any inaccuracies or omissions. Axis Communications AB cannot be held responsible for any technical or typographical errors and reserves the right to make changes to the product and manuals without prior notice. Axis Communications AB makes no warranty of any kind with regard to the material contained within this document, including, but not limited to, the implied warranties of merchantability and fitness for a particular purpose. Axis Communications AB shall not be liable nor responsible for incidental or consequential damages in connection with the furnishing, performance or use of this material. This product is only to be used for its intended purpose.

Intellectual property rights

Axis AB has intellectual property rights relating to technology embodied in the product described in this document. In particular, and without limitation, these intellectual property rights may include one or more of the patents listed at axis.com/patent and one or more additional patents or pending patent applications in the US and other countries.

This product contains licensed third-party software. See the menu item "About" in the product's user interface for more information.

This product contains source code copyright Apple Computer, Inc., under the terms of Apple Public Source License 2.0 (see opensource.apple.com/aps/). The source code is available from developer.apple.com/bonjour/.

Equipment modifications

This equipment must be installed and used in strict accordance with the instructions given in the user documentation. This equipment contains no user-serviceable components. Unauthorized equipment changes or modifications will invalidate all applicable regulatory certifications and approvals.

Trademark acknowledgements

AXIS COMMUNICATIONS, AXIS, ARTPEC and VAPIX are registered trademarks of Axis AB in various jurisdictions. All other trademarks are the property of their respective owners.

Apple, Apache, Bonjour, Ethernet, Internet Explorer, Linux, Microsoft, Mozilla, Real, SMPTE, QuickTime, UNIX, Windows, and WWW are registered trademarks of the respective holders. Java and all Java-based

trademarks and logos are trademarks or registered trademarks of Oracle and/or its affiliates. The UPnP Word Mark and UPnP Logo are trademarks of Open Connectivity Foundation, Inc. in the United States or other countries.



microSD, microSDHC, and microSDXC Logos are trademarks of SD-3C LLC. microSD, microSDHC, microSDXC are trademarks or registered trademarks of SD-3C, LLC in the United States, other countries or both.

Regulatory information

Europe



This product complies with the applicable CE marking directives and harmonized standards:

- Electromagnetic Compatibility (EMC) Directive 2014/30/EU. See *Electromagnetic compatibility (EMC) on page 2*.
- Low Voltage Directive (LVD) 2014/35/EU. See *Safety on page 3*.
- Restriction of Hazardous Substances (RoHS) Directive 2011/65/EU and 2015/863, including any amendments, updates or replacements. See *Disposal and recycling on page 3*.

A copy of the original declaration of conformity may be obtained from Axis Communications AB. See *Contact information on page 4*.

Electromagnetic compatibility (EMC)

This equipment has been designed and tested to fulfill applicable standards for:

- Radio frequency emission when installed according to the instructions and used in its intended environment.
- Immunity to electrical and electromagnetic phenomena when installed according to the instructions and used in its intended environment.

USA

This device complies with part 15 of the FCC Rules. Operation is subject to the following two conditions:

1. This device may not cause harmful interference, and
2. this device must accept any interference received, including interference that may cause undesired operation.

This equipment has been tested using a shielded network cable (STP) and found to comply with the limits for a Class A digital device, pursuant to part 15 of the FCC Rules. These limits are designed to provide reasonable protection against harmful interference when the equipment is operated in a commercial environment. This equipment generates, uses, and can radiate radio frequency energy and, if not installed and used in accordance with the instruction manual, may cause harmful interference to radio communications. Operation of this equipment in a residential area is likely to cause harmful interference in which case the user will be required to correct the interference at his own expense. The product shall be connected using a shielded network cable (STP) that is properly grounded.

Contact information

Axis Communications Inc.
300 Apollo Drive

Chelmsford, MA 01824
 United States of America
 Tel: +1 978 614 2000

Canada

This digital apparatus complies with CAN ICES-3 (Class A). The product shall be connected using a shielded network cable (STP) that is properly grounded. Cet appareil numérique est conforme à la norme CAN NMB-3 (classe A). Le produit doit être connecté à l'aide d'un câble réseau blindé (STP) qui est correctement mis à la terre.

Europe

This digital equipment fulfills the requirements for RF emission according to the Class A limit of EN 55032. The product shall be connected using a shielded network cable (STP) that is properly grounded. Notice! This is a Class A product. In a domestic environment this product may cause RF interference, in which case the user may be required to take adequate measures.

Australia/New Zealand

This digital equipment fulfills the requirements for RF emission according to the Class A limit of AS/NZS CISPR 32. The product shall be connected using a shielded network cable (STP) that is properly grounded. Notice! This is a Class A product. In a domestic environment this product may cause RF interference, in which case the user may be required to take adequate measures.

Japan

この装置は、クラスA機器です。この装置を住宅環境で使用すると電波妨害を引き起こすことがあります。この場合には使用者が適切な対策を講ずるよう要求されることがあります。VCCI - A

本製品は、シールドネットワークケーブル (STP) を使用して接続してください。また適切に接地してください。本製品は電気通信事業者 (移動通信会社、固定通信会社、インターネットプロバイダ等) の通信回線 (公衆無線 LAN を含む) に直接接続することができません。本製品をインターネットに接続する場合は、必ずルータ等を経由し接続してください。

Korea

이 기기는 업무용 환경에서 사용할 목적으로 적합성평가를 받은 기기로서 가정용 환경에서 사용하는 경우 전파간섭의 우려가 있습니다. 적절히 접지된 STP (shielded twisted pair) 케이블을 사용하여 제품을 연결 하십시오.

Safety

This product complies with IEC/EN/UL 62368-1, safety of audio/video and IT equipment, and IEC/EN/UL 60950-22, Safety of Information Technology Equipment. The product shall be grounded either through a shielded network cable (STP) or other appropriate method.

The Power Sourcing Equipment (PSE) shall comply with IEEE 802.3af/802.3at and Limited Power Source (LPS) according to clause 2.5 of IEC/UL 60950-1 or annex Q of IEC 62368.

Axis strongly recommends the use of Axis midspans or Axis PoE switches.

Photobiological safety

This product fulfills the requirements for photobiological safety according to IEC/EN 62471 (exempt).

Disposal and recycling

When this product has reached the end of its useful life, dispose of it according to local laws and regulations. For information about your nearest designated collection point, contact your local authority responsible for waste disposal. In accordance with local legislation, penalties may be applicable for incorrect disposal of this waste.

Europe



This symbol means that the product shall not be disposed of together with household or commercial waste. Directive 2012/19/EU on waste electrical and electronic equipment (WEEE) is applicable in the European Union member states. To prevent potential harm to human health and the environment, the product must be disposed of in an approved and environmentally safe recycling process. For information about your nearest designated collection point, contact your local authority responsible for waste disposal. Businesses should contact the product supplier for information about how to dispose of this product correctly.

This product complies with the requirements of Directive 2011/65/EU and 2015/863 on the restriction of the use of certain hazardous substances in electrical and electronic equipment (RoHS).

China



This product complies with the requirements of SJ/T 11364-2014, Marking for the restriction of hazardous substances in electrical and electronic products.

有毒有害物质或元素						
部件名称	铅 (Pb)	汞 (Hg)	镉 (Cd)	六价铬 (Cr(VI))	多溴联苯 (PB-B)	多溴二苯醚 (PB-DE)
电气实装部分	X	0	0	0	0	0
0: 表示该有毒有害物质在该部件均质材料中的含量均在GB/T 26572标准规定的限量要求以下。 X: 表示该有毒有害物质至少在该部件的某一均质材料中的含量超出GB/T 26572标准规定的限量要求。						

Contact information

Axis Communications AB
Gränden 1
223 69 Lund
Sweden

Tel: +46 46 272 18 00

Fax: +46 46 13 61 30

axis.com

Warranty information

For information about Axis' product warranty and thereto related information, go to *axis.com/warranty*.

Support

Should you require any technical assistance, please contact your Axis reseller. If your questions cannot be answered immediately, your reseller will forward your queries through the appropriate channels to ensure a rapid response. If you are connected to the Internet, you can:

- download user documentation and software updates
- find answers to resolved problems in the FAQ database, search by product, category, or phrase
- report problems to Axis support staff by logging in to your private support area
- chat with Axis support staff
- visit Axis Support at *axis.com/support*

Learn more!

Visit Axis learning center *axis.com/learning* for useful trainings, webinars, tutorials and guides.

English

Safety instructions

NOTICE

- The Axis product shall be used in compliance with local laws and regulations.
- Store the Axis product in a dry and ventilated environment.
- Avoid exposing the Axis product to shocks or heavy pressure.
- Do not install the product on unstable poles, brackets, surfaces or walls.
- Use only applicable tools when installing the Axis product. Using excessive force with power tools could cause damage to the product.
- Do not use chemicals, caustic agents, or aerosol cleaners.
- Use a clean cloth dampened with pure water for cleaning.
- Use only accessories that comply with the technical specification of your product. These can be provided by Axis or a third party. Axis recommends using Axis power source equipment compatible with your product.
- Use only spare parts provided by or recommended by Axis.
- Do not attempt to repair the product yourself. Contact Axis support or your Axis reseller for service matters.
- The power supply shall be plugged in to a socket outlet installed near the product and shall be easily accessible.
- Use a limited power source (LPS) with a rated output power limited to ≤ 100 W and a rated output current limited to ≤ 5 A.

Transportation

NOTICE

- When transporting the Axis product, use the original packaging or equivalent to prevent damage to the product.

Battery

The Axis product uses a 3.0 V BR1632 lithium battery as the power supply for its internal real-time clock (RTC). Under normal conditions this battery will last for a minimum of five years.

Low battery power affects the operation of the RTC, causing it to reset at every power-up. When the battery voltage is low, a log message will appear in the product's server report.

CAUTION

Do not replace the battery yourself. Contact Axis support if the log message requests a battery change.

Lithium coin cell 3.0 V batteries contain 1,2-dimethoxyethane; ethylene glycol dimethyl ether (EGDME), CAS no. 110-71-4.

Dome cover

NOTICE

- Be careful not to scratch, damage or leave fingerprints on the dome cover because this could decrease image quality. If possible, keep the

protective plastic on the dome cover until the installation is complete.

- Do not clean a dome cover that looks clean to the eye and never polish the surface. Excessive cleaning could damage the surface.
- For general cleaning of the dome cover it is recommended to use a non-abrasive, solvent-free neutral soap or detergent mixed with pure water and a soft, clean cloth. Rinse well with pure lukewarm water. Dry with a soft, clean cloth to prevent water spotting.
- Never use harsh detergents, gasoline, benzene, acetone, or similar chemicals.
- Avoid cleaning the dome cover in direct sunlight or at elevated temperatures.

Français

Consignes de sécurité

AVIS

- Le produit Axis doit être utilisé conformément aux lois et règlements locaux.
- Conserver ce produit Axis dans un environnement sec et ventilé.
- Ne pas exposer ce produit Axis aux chocs ou aux fortes pressions.
- Ne pas installer ce produit sur des poteaux, supports, surfaces ou murs instables.
- Utiliser uniquement des outils recommandés pour l'installation de l'appareil Axis. L'application d'une force excessive sur l'appareil avec des outils puissants pourrait l'endommager.
- Ne pas utiliser de produits chimiques, de substances caustiques ou de nettoyeurs pressurisés.
- Utiliser un chiffon propre imbibé d'eau pure pour le nettoyage.
- Utiliser uniquement des accessoires conformes aux caractéristiques techniques de votre produit. Ils peuvent être fournis par Axis ou un tiers. Axis recommande d'utiliser un équipement d'alimentation Axis compatible avec votre produit.
- Utiliser uniquement les pièces de rechange fournies ou recommandées par Axis.
- Ne pas essayer de réparer vous-même ce produit. Contacter l'assistance technique d'Axis ou votre revendeur Axis pour des problèmes liés à l'entretien.
- L'alimentation électrique doit être branchée à une prise de courant installée près de l'équipement et être facilement accessible.
- Utilisez une source d'alimentation limitée (LPS) dont la puissance de sortie nominale est limitée à ≤ 100 W et dont le courant de sortie nominal est limité à ≤ 5 A.

Transport

AVIS

- Lors du transport du produit Axis, utilisez l'emballage d'origine ou un équivalent pour éviter d'endommager le produit.

Batterie

Le produit Axis utilise une batterie au lithium BR1632 3,0 V comme alimentation de son horloge en temps

r el interne (RTC). Dans des conditions normales, cette batterie a une dur e de vie minimale de cinq ans.

Si la batterie est faible, le fonctionnement de l'horloge en temps r el peut ˆtre affect  et entraˆner sa r initialisation   chaque mise sous tension. Un message enregistr  appar it dans le rapport de serveur du produit lorsque la tension de la batterie est basse.

ATTENTION

Ne remplacez pas la batterie vous-mˆme. Contactez le support Axis si le message du journal demande un changement de batterie.

Les piles boutons 3,0 V au lithium contiennent du 1,2-dim thoxy thane,  thyl ne glycol dim thyl  ther (EGDME), CAS n  110-71-4.

Couvercle de dˆme

AVIS

- Veillez   ne pas rayer, endommager ou laisser d'empreintes sur le couvercle du dˆme car cela pourrait alt rer la qualit  d'image. Laissez, si possible, la protection en plastique sur le couvercle du dˆme jusqu'  la fin de l'installation.
- Ne nettoyez pas le couvercle du dˆme s'il semble propre   l' il nu et ne frottez jamais sa surface. Un nettoyage excessif pourrait endommager la surface.
- Pour le nettoyage g n ral du couvercle du dˆme, il est recommand  d'utiliser un produit non abrasif, un savon neutre sans solvant ou un d tergent m lang  avec de l'eau pure et un chiffon doux propre. Rincez bien   l'eau ti de pure. S chez avec un chiffon doux et propre pour  viter les t ches d'eau.
- N'utilisez jamais de d tergents agressifs, d'essence, de benz ne, d'ac tone ou autres produits chimiques similaires.
-  vitez de nettoyer le couvercle du dˆme dans la lumi re directe du soleil ou lorsque les temp ratures sont  lev es.

Deutsch

Sicherheitsanweisungen

HINWEIS

- Das Axis Produkt muss unter Beachtung der geltenden Gesetze und Bestimmungen betrieben werden.
- Lagern Sie das Axis Produkt in einer trockenen und bel fteten Umgebung.
- Das Axis Produkt weder Stˆo en noch starkem Druck aussetzen.
- Das Produkt nicht an instabilen Masten, Halterungen, Oberfl chen oder W nden anbringen.
- Verwenden Sie bei der Installation des Axis Produkts ausschlie lich passende Werkzeuge. Ein zu gro er Kraftaufwand mit elektrischen Werkzeugen kann das Produkt besch digen.
- Verwenden Sie keine chemischen,  tzenden oder aerosolhaltigen Reinigungsmittel.
- Verwenden Sie zum Reinigen ein sauberes, mit destilliertem Wasser angefeuchtetes Tuch.
- Verwenden Sie nur Zubehˆr, das den technischen Vorgaben Ihres Produkts entspricht. Dieses ist von

Axis oder Drittanbietern erh ltlich. Axis empfiehlt die mit Ihrem Produkt kompatible Stromversorgung von Axis.

- Verwenden Sie ausschlie lich Ersatzteile die von Axis angeboten oder empfohlen werden.
- Versuchen Sie nicht, dieses Produkt selbstt tig zu reparieren. Wenden Sie sich bez glich Reparatur und Wartung an den Axis Support oder Ihren Axis H ndler.
- Das Netzteil sollte an eine Steckdose in der N he des Produkts angeschlossen werden und leicht zug nglich sein.
- Verwenden Sie eine Stromquelle mit begrenzter Leistung (LPS) mit einer Nennausgangsleistung von  100 W und einem begrenzten Nennausgangsstrom von  5 A.

Transport

HINWEIS

- Bei Bedarf transportieren Sie das Axis Produkt in der Originalverpackung oder einer entsprechenden Verpackung, so dass Sch den vermieden werden.

Batterie

Das Axis Produkt ist mit einer 3,0-V-BR1632-Lithium-Batterie ausgestattet, mit der die interne Echtzeituhr (RTC) versorgt wird. Unter normalen Bedingungen hat die Batterie eine Lebensdauer von mindestens f nf Jahren.

Eine nicht ausreichend geladene Batterie beeintr chtigt den Betrieb der Echtzeituhr, die dann bei jedem Systemstart zur ckgesetzt wird. Sie erhalten eine Protokollnachricht im Server-Bericht des Produkts, wenn die Batteriespannung niedrig ist.

VORSICHT

Tauschen Sie die Batterie nicht selbst aus. Wenden Sie sich an den Axis Support, wenn die Protokollnachricht einen Batterietausch anfordert.

Lithium-Knopfzellen (3,0 V) enthalten 1,2-Dimethoxyethan; Ethylenglycoldimethylether (EGDME), CAS-Nr. 110-71-4.

Kuppelabdeckung

HINWEIS

- Achten Sie darauf, die Kuppelabdeckung weder zu zerkratzen, zu besch digen oder darauf Fingerabdr cke zu hinterlassen, da dies die Bildqualit t beeintr chtigen kann. Falls mˆglich, entfernen Sie die Schutzfolie erst nach Abschluss der Installation.
- S ubern Sie die Kuppelabdeckung nicht, wenn diese sauber erscheint, und polieren Sie niemals die Oberfl che. Zu h ufiges S ubern kann die Oberfl che besch digen.
- F r die normale Reinigung der Kuppelabdeckung werden eine nicht-scheuernde, lˆsungsmittelfreie neutrale Seife oder ein entsprechendes Reinigungsmittel mit destilliertem Wasser und ein sauberer, weicher Lappen empfohlen. Sp len Sie die Kuppelabdeckung gr ndlich mit lauwarmem destilliertem Wasser ab. Trocknen Sie die Kuppelabdeckung mit einem weichen, sauberen Tuch, um Wasserflecken zu vermeiden.
- Keine aggressiven Reinigungsmittel, Waschbenzin, Benzol, Aceton oder  hnliche Chemikalien verwenden.

- Die Kuppelabdeckung nicht in direktem Sonnenlicht oder bei erhöhten Temperaturen säubern.

Le batterie a bottone al litio da 3 V contengono 1,2-dimetossietano; etere dimetilico di glicole etilenico (EGDME), CAS n. 110-71-4.

Italiano

Informazioni di sicurezza

AVVISO

- Il dispositivo Axis deve essere utilizzato in conformità alle leggi e alle normative locali.
- Conservare il dispositivo Axis in un ambiente asciutto e ventilato.
- Evitare di esporre il dispositivo Axis a urti o pressioni eccessive.
- Non installare il dispositivo su supporti, superfici, pareti o pali instabili.
- Utilizzare solo strumenti applicabili quando si installa il dispositivo Axis. Se si utilizza una forza eccessiva con strumenti non adatti è possibile causare danni al dispositivo.
- Non utilizzare sostanze chimiche, agenti caustici o detergenti aerosol.
- Utilizzare un panno pulito inumidito in acqua pura per la pulizia.
- Utilizzare solo accessori compatibili con le specifiche tecniche del dispositivo. Questi possono essere forniti da Axis o da terze parti. Axis consiglia l'uso dell'apparecchiatura di alimentazione Axis compatibile con il dispositivo.
- Utilizzare solo parti di ricambio fornite o consigliate da Axis.
- Non tentare di riparare il dispositivo da soli. Contattare l'assistenza o il rivenditore Axis per questioni relative alla manutenzione.
- L'alimentatore deve essere collegato a una presa di corrente vicina al dispositivo e facilmente accessibile.
- Utilizzare una sorgente di alimentazione limitata (LPS) con una potenza di uscita nominale limitata a ≤100 W e una corrente di uscita nominale limitata a ≤5 A.

Trasporto

AVVISO

- Durante il trasporto del dispositivo Axis, utilizzare l'imballaggio originale o equivalente per evitare danni al dispositivo.

Batteria

Il dispositivo Axis utilizza una batteria al litio da 3 V BR1632 come alimentazione per il suo orologio in tempo reale (RTC) interno. In condizioni normali questa batteria avrà una durata minima di cinque anni.

Una bassa carica della batteria influisce sul funzionamento dell'orologio in tempo reale, facendolo resettare a ogni accensione. Quando la tensione della batteria è bassa, un messaggio di registro viene visualizzato nel report del server del dispositivo.

ATTENZIONE

Non sostituire la batteria da soli. Contattare l'assistenza di Axis se il messaggio di registro richiede una sostituzione della batteria.

Copertura a cupola

AVVISO

- Fare attenzione a non graffiare, danneggiare o lasciare impronte sulla cupola di protezione, perché potrebbe diminuire la qualità dell'immagine. Se possibile, tenere la protezione in plastica sul coperchio della cupola fino a quando l'installazione non sarà completata.
- Non pulire il coperchio della cupola quando allo sguardo sembra pulito e non lucidare la superficie. Una pulizia eccessiva potrebbe danneggiare la superficie.
- Per la pulizia generale del coperchio della cupola, si consiglia di utilizzare un sapone neutro o detergente non abrasivo con acqua pura e un panno morbido e pulito. Sciacquare bene con acqua pura tiepida. Asciugare con un panno morbido e pulito per evitare macchie d'acqua.
- Non usare mai detergenti aggressivi, benzina, benzene, acetone o sostanze chimiche simili.
- Evitare di pulire il coperchio della cupola alla luce diretta del sole o a temperature elevate.

Español

Instrucciones de seguridad

AVISO

- Este producto de Axis debe utilizarse de acuerdo con las leyes y normativas locales.
- Almacene el producto de Axis en un entorno seco y ventilado.
- Evite la exposición del producto de Axis a choques o a una fuerte presión.
- No instale el producto en postes, soportes, superficies o paredes inestables.
- Utilice solo las herramientas correspondientes cuando instale el producto de Axis. La aplicación de una fuerza excesiva con herramientas eléctricas puede provocar daños en el producto.
- No utilice limpiadores en aerosol, agentes cáusticos ni productos químicos.
- Limpie con un paño limpio humedecido con agua pura.
- Utilice solo accesorios que cumplan con las especificaciones técnicas de su producto. Estos accesorios los puede proporcionar Axis o un tercero. Axis recomienda utilizar un equipo de suministro de alimentación de Axis compatible con su producto.
- Utilice solo piezas de repuesto proporcionadas o recomendadas por Axis.
- No intente reparar el producto usted mismo. Póngase en contacto con el servicio de asistencia técnica de Axis o con su distribuidor de Axis para tratar asuntos de reparación.
- La fuente de alimentación se enchufará a una toma de conector instalada cerca del producto y a la que se podrá acceder fácilmente.

- Use una fuente de alimentación limitada (LPS) con una potencia nominal de salida limitada a ≤ 100 W y una corriente nominal de salida limitada a ≤ 5 A.

Transporte

AVISO

- Cuando transporte el producto de Axis, utilice el embalaje original o un equivalente para evitar daños en el producto.

Batería

Este producto de Axis utiliza una batería de litio BR1632 de 3,0 V como fuente de alimentación del reloj interno en tiempo real. En condiciones normales, esta batería durará un mínimo de cinco años.

Un nivel bajo de batería afectará al funcionamiento del reloj en tiempo real, lo que provocará el restablecimiento de este cada vez que se encienda el producto. Cuando la tensión de la batería esté baja, aparecerá un mensaje de registro en el informe del servidor del producto.

▲PRECAUCIÓN

No sustituya la batería usted mismo. Póngase en contacto con el servicio de asistencia técnica de Axis si el mensaje de registro solicita un cambio de batería.

Las pilas de botón de litio de 3,0 V contienen 1,2-dimetoxietano; éter dimetilico de etilenglicol (EGDME), n.º CAS 110-71-4.

Cubierta del domo

AVISO

- Preste atención para no arañar, dañar o dejar las huellas en la cubierta del domo, puesto que esto puede provocar una disminución de la calidad de imagen. Si es posible, mantenga el plástico de protección en la cubierta del domo hasta que se complete la instalación.
- No limpie la cubierta del domo si parece a simple vista que está limpia y nunca pule la superficie. Una limpieza excesiva podría dañar la superficie.
- Para realizar un procedimiento de limpieza general de la cubierta del domo se recomienda usar detergente o jabón neutros, sin disolventes y no abrasivos mezclados con agua pura, y un paño suave y limpio. Enjuague bien con agua pura y tibia. Seque con un paño limpio y suave para evitar las manchas de gotas de agua.
- Nunca use detergentes abrasivos, gasolina, benceno, acetona o productos químicos similares.
- Evite limpiar la cubierta del domo a temperaturas elevadas o en contacto directo con la luz solar.

日本語

安全手順

注意

- 本製品は、お使いになる地域の法律や規制に準拠して使用してください。
- 本製品は乾燥した換気の良い環境に保管してください。
- 本製品に衝撃または強い圧力を加えないでください。

- 本製品を不安定なポール、ブラケット、表面、または壁に設置しないでください。
- 本製品を設置する際には、適切な工具のみを使用してください。電動工具を使用すると過剰な力をかけると、製品が損傷することがあります。
- 化学薬品、腐食剤、噴霧式クリーナーは使用しないでください。
- 清掃には、きれいな水に浸した清潔な布を使用してください。
- 製品の技術仕様に基づいたアクセサリのみを使用してください。これらのアクセサリは、Axisまたはサードパーティから入手できます。Axisは、ご使用の製品と互換性のあるAxis給電ネットワークスイッチの使用を推奨します。
- Axisが提供または推奨する交換部品のみを使用してください。
- 製品を自分で修理しないでください。修理については、Axisサポートまたは販売代理店にお問い合わせください。
- 電源は、製品の近くで簡単に手の届く場所にあるコンセントに接続してください。
- 定格出力が100 Wかつ5 A以下の有限電源 (LPS) を使用します。

輸送

注意

- 本製品を運搬する際は、製品が損傷しないよう、元の梱包が同等の梱包を使用してください。

バッテリー

本製品は、内部リアルタイムクロック (RTC) 用電源として、3.0V BR1632リチウムバッテリーを使用します。このバッテリーは、通常条件下で最低5年間使用できます。

バッテリーが低電力状態になると、RTCの動作に影響し、電源を入れるたびにRTCがリセットされます。バッテリーの電圧が低下すると、製品のサーバーレポートにログメッセージが表示されます。

▲注意

自分でバッテリーを交換しないでください。バッテリー交換を求めるログメッセージが表示された場合は、Axisサポートにお問い合わせください。

リチウムコイン型3.0V電池は、1,2-ジメトキシエタン (エチレングリコールジメチルエーテル (EGDME)、CAS番号110-71-4) を含有しています。

ドームカバー

注意

- 画質低下の原因となるため、ドームカバーに傷や指紋を付けたら、損傷しないように注意してください。可能であれば、設置が完了するまでドームカバーに保護プラスチックを付けたままにしてください。
- 肉眼で見ても汚れがない場合は、ドームカバーを掃除しないでください。また、絶対に表面を磨かないでください。過度な清掃により、表面が破損することがあります。
- ドームカバーの通常のクリーニングには、磨耗防止タイプの無溶媒の中性石鹸またはきれいな水で薄めた洗剤と、柔らかい清潔

な布を使用することをお勧めします。洗浄後、きれいなぬるま湯でよくすすいでください。水滴の跡が付かないよう、清潔な柔らかい布で拭いて乾かしてください。

- 強力な洗剤、ガソリン、ベンジン、アセトン、同様の化学薬品は絶対に使用しないでください。
- 直射日光が当たる場所や気温が上昇する場所でのドームカバーの清掃は避けてください。

Português

Instruções de segurança

OBSERVAÇÃO

- O produto Axis deve ser usado em conformidade com as leis e regulamentações locais.
- Armazene o produto Axis em um ambiente seco e ventilado.
- Evite expor o produto Axis a impactos ou pressão elevada.
- Não instale o produto em suportes, mastros, superfícies ou paredes instáveis.
- Use apenas as ferramentas recomendadas ao instalar o produto Axis. O uso de força excessiva com ferramentas elétricas poderia danificar o produto.
- Não use produtos químicos, agentes cáusticos ou limpadores aerossóis.
- Use um pano limpo úmido para limpar o produto.
- Utilize apenas acessórios que atendam às especificações técnicas do produto. Esses poderão ser fornecidos pela Axis ou por terceiros. A Axis recomenda usar equipamento de fonte de alimentação Axis compatível com seu produto.
- Utilize apenas peças sobressalentes fornecidas ou recomendadas pela Axis.
- Não tente reparar o produto por conta própria. Entre em contato com o suporte ou seu revendedor Axis para quaisquer questões relacionadas a serviços.
- A fonte de alimentação deve ser conectada em uma tomada elétrica instalada próxima ao produto e deverá poder ser acessada com facilidade.
- Use uma fonte de energia com limitação (LPS) com potência de saída nominal restrita a $\leq 100\text{ W}$ e corrente de saída nominal limitada a $\leq 5\text{ A}$.

Transporte

OBSERVAÇÃO

- Ao transportar o produto Axis, use a embalagem original ou equivalente para evitar danos ao produto.

Bateria

Este produto Axis usa uma bateria de lítio BR1632 de 3,0 V como fonte de alimentação para seu relógio interno de tempo real (RTC). Em condições normais, a vida útil mínima da bateria será de cinco anos.

Se a carga da bateria estiver baixa, a operação do RTC será afetada, fazendo com que ele seja reiniciado toda vez que o sistema for ligado. Quando a tensão da bateria estiver baixa, uma mensagem de log será exibida no relatório do servidor do produto.

▲CUIDADO

Não substitua a bateria por conta própria. Entre em contato com o suporte da Axis se a mensagem do log solicitar uma substituição de bateria.

As baterias tipo célula de íons de lítio de 3,0 V contêm 1,2-dimetoxietano; etileno glicol éter dimetilico (EGDME), nº CAS 110-71-4.

Cobertura dome

OBSERVAÇÃO

- Cuidado para não arranhar, danificar ou deixar impressões digitais na cobertura dome, pois isso poderia prejudicar a qualidade da imagem. Se possível, mantenha o plástico protetor na cobertura dome até que a instalação seja concluída.
- Não limpe uma dome que pareça limpa e jamais faça o polimento da superfície. A limpeza excessiva poderia danificar a superfície.
- Para a limpeza geral de uma dome, recomenda-se usar sabão ou detergente neutro não abrasivo e sem solventes dissolvido em água e um pano macio limpo. Enxágue bem com água limpa e morna. Seque com um pano macio e limpo para impedir o surgimento de manchas de água.
- Nunca use detergentes agressivos, gasolina, benzina, acetona ou produtos químicos semelhantes.
- Evite limpar a Cobertura dome sob luz do sol direta ou em temperaturas elevadas.

РУССКИЙ

Правила безопасности

ПРИМЕЧАНИЕ.

- Это изделие Axis следует использовать в соответствии с местными законами и нормативами.
- Устройство Axis должно храниться в сухом, хорошо проветриваемом помещении.
- Не допускайте ударов или приложения высокого давления к устройству Axis.
- Не монтируйте устройство на неустойчивых столбах, кронштейнах, поверхностях или стенах.
- При установке устройства Axis используйте только предназначенные для этого инструменты. Приложение чрезмерных усилий к инструментам может привести к повреждению устройства.
- Не используйте химикаты, едкие вещества или аэрозольные очистители.
- Для очистки используйте чистую ткань, смоченную чистой водой.
- Используйте только принадлежности, которые соответствуют техническим характеристикам данного устройства. Они могут поставляться компанией Axis или сторонним производителем. Компания Axis рекомендует использовать блоки питания Axis, совместимые с устройством.
- Используйте только запасные части, поставляемые или рекомендованные компанией Axis.
- Не пытайтесь отремонтировать устройство самостоятельно. По вопросам обслуживания

обращайтесь в службу поддержки Axis или к своему реселлеру Axis.

- Блок питания следует включать в розетку, к которой должен быть обеспечен удобный доступ недалеко от изделия.
- В целях безопасности используйте источник питания ограниченной мощности (LPS), у которого номинальная выходная мощность не превышает 100 Вт и либо номинальный выходной ток не превышает 5 А.

Транспортировка

ПРИМЕЧАНИЕ.

- При транспортировке устройства Axis используйте оригинальную упаковку или ее эквивалент во избежание повреждения изделия.

Батарея

В качестве источника питания для внутренних часов реального времени в этом устройстве Axis используется литиевая батарея BR1632 с напряжением 3 В. При нормальных условиях эта батарея способна работать не менее пяти лет.

При низком заряде батареи часы реального времени будут сбрасываться при каждом выключении устройства. При пониженном напряжении батареи в отчете сервера устройства будет содержаться соответствующее сообщение журнала.

▲ ОСТОРОЖНО

Не заменяйте батарею самостоятельно. Если сообщение журнала содержит запрос на замену батареи, обратитесь в службу поддержки Axis.

Плоские литиевые батареи (3,0 В) содержат 1,2-диметоксизтан — диметилловый эфир этиленгликоля (EGDME), CAS № 110-71-4.

Купол

ПРИМЕЧАНИЕ.

- Обращайтесь с куполом аккуратно. Старайтесь не поцарапать и не повредить его, а также не оставляйте на нем отпечатки пальцев, поскольку это может снизить качество изображения. По возможности не снимайте с купола защитную пластиковую пленку до завершения установки.
- Не протирайте купол, если на нем не заметны загрязнения, и ни при каких обстоятельствах не полируйте его поверхность. Излишняя очистка может привести к повреждению поверхности.
- Для общей очистки купола рекомендуется использовать мягкую чистую ткань и нейтральное мыло без растворителей и абразивных веществ или смесь моющего средства с чистой водой. После очистки тщательно промойте купол чистой теплой водой. Чтобы не допустить появления следов от капель воды, протрите купол мягкой чистой тканью.
- Никогда не используйте агрессивные моющие средства, например, бензин, бензол, ацетон или аналогичные химические вещества.
- Старайтесь не проводить очистку купола при прямом солнечном освещении или при повышенных температурах воздуха.

安全说明

注意

- 使用 Axis 产品时应遵守当地法律和法规。
- 在干燥通风的环境中存放安讯士产品。
- 避免将安讯士产品暴露在冲击或高压环境下。
- 请勿将产品安装在在不稳固的立杆、支架、表面或墙壁上。
- 安装安讯士产品时，仅使用适用的工具。使用电动工具过度施力可能导致产品损坏。
- 请勿使用化学品、腐蚀性或气雾剂。
- 使用蘸纯净水的干净布进行清洁。
- 仅使用符合产品技术规格的附件。这些附件可由安讯士或第三方提供。安讯士推荐使用与产品兼容的安讯士电源设备。
- 仅使用安讯士提供或推荐的备件。
- 请勿尝试自行维修产品。有关服务事项，请联系安讯士支持部门或安讯士经销商。
- 电源应插入安装在产品附近的插座上并易于触及。
- 使用额定输出功率限制为 $\leq 100\text{ W}$ 和额定输出电流限制为 $\leq 5\text{ A}$ 的限制电源 (LPS)。

运输

注意

- 安讯士产品运输途中，应使用其原包装或等效包装，以防对产品造成损坏。

电池

安讯士产品使用 3.0 V BR1632 锂电池作为其内部实时时钟 (RTC) 的电源。在正常情况下，此电池将持续至少五年。

蓄电池电量过低会影响实时时钟的运行，从而导致实时时钟在每次上电时重置。当电池电压较低时，产品的服务器报告中将显示一条日志消息。

▲ 警告

请勿自行更换电池。如果日志消息要求更换电池，请联系安讯士支持部门。

3.0 V 纽扣锂电池内含 1,2-二甲氨基乙烷；乙二醇二甲醚 (EGDME)，CAS 编号为 110-71-4。

半球罩

注意

- 小心不要划伤、损坏或在半球罩上留下指纹，因为这可能会降低图像质量。如果可能，请保留半球罩上的保护塑料，直至安装完成。
- 请勿清洁看起来干净的半球罩，也不要对表面进行抛光。过度清洁可能会损坏表面。
- 对于半球罩的一般清洁，建议将无腐蚀性、不含溶剂的中性肥皂或洗涤剂与纯水混合，并使用柔软、干净的布进行清洁。用温水冲洗干净。用一块柔软干净的布擦干，以避免留下水渍。
- 切勿使用带有刺鼻气味的洗涤剂、汽油、苯、丙酮或类似化学品。
- 避免在阳光直射或高温下清洁半球罩。

한국어

안전 지침

통지

- Axis 제품은 해당 지역 법률 및 규정을 준수 하여 사용해야 합니다.
- Axis 제품은 건조하고 환기가 잘 되는 곳에 보관하십시오.
- Axis 제품은 충격이나 강한 압력을 가하지 마십시오.
- 불안정한 폴, 브래킷, 표면 또는 벽면에 제품을 설치하지 마십시오.
- Axis 제품을 설치할 경우 해당 도구만 사용하십시오. 전동 공구로 과도한 힘을 사용하면 제품에 손상을 줄 수 있습니다.
- 화학 물질, 부식제, 에어로졸 세척제를 사용하지 마십시오.
- 깨끗한 물에 적신 깨끗한 천을 사용하여 닦으십시오.
- 제품의 기술적 사양을 준수하는 액세서리만 사용하십시오. 이러한 액세서리는 Axis 또는 제3자가 제공할 수 있습니다. Axis는 귀하의 제품과 호환되는 Axis 전원 장비를 사용할 권합니다.
- Axis가 공급하거나 추천하는 예비 부품만 사용하십시오.
- 제품을 직접 수리하려고 하지 마십시오. 서비스 문제에 대해 Axis 지원 부서 또는 Axis 리셀러에 문의하십시오.
- 전원 공급 장치는 제품 근처에 설치된 소켓 콘센트에 꽂아야 하며, 쉽게 접근할 수 있어야 합니다.
- 100W 이하로 제한된 정격 출력 전원 및 5A 이하로 제한된 정격 출력 전류로 제한된 전원(LPS)을 사용하십시오.

운반

통지

- Axis 제품을 운반할 때는 원래 포장이나 이에 준하는 포장을 사용해 제품이 손상되지 않도록 하십시오.

배터리

Axis 제품은 3.0V BR1632 리튬 배터리를 내부 RTC(real-time clock)의 전원으로 사용합니다. 정상 조건에서 이 배터리는 최소 5년간 사용할 수 있습니다.

배터리 전력이 부족하면 RTC의 작동에 영향을 주어 기기의 전원을 켤 때마다 RTC가 재설정됩니다. 배터리 전압이 낮으면 제품의 서버 보고서에 로그 메시지가 나타납니다.

주의

배터리를 직접 교체하지 마십시오. 로그 메시지가 배터리 교체를 요청하면 Axis 지원 센터에 문의하십시오.

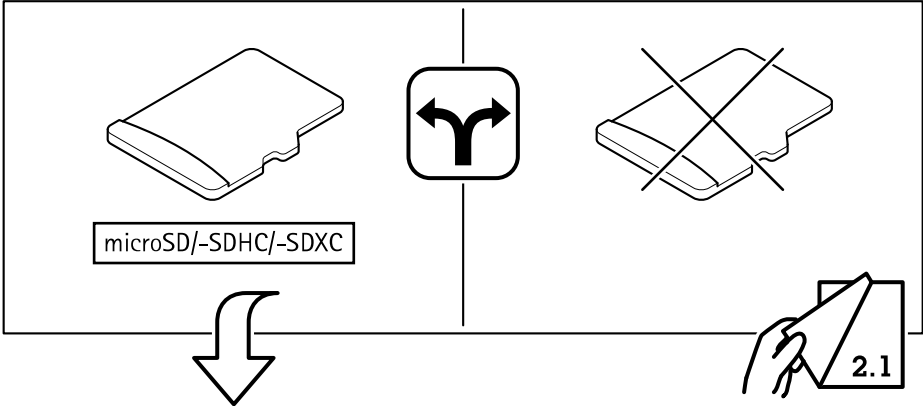
리튬 코인 셀 3.0V 배터리는 1,2-디메톡시에탄, EGDME(ethylene glycol dimethyl ether), CAS no. 110-71-4를 포함하고 있습니다.

돔 커버

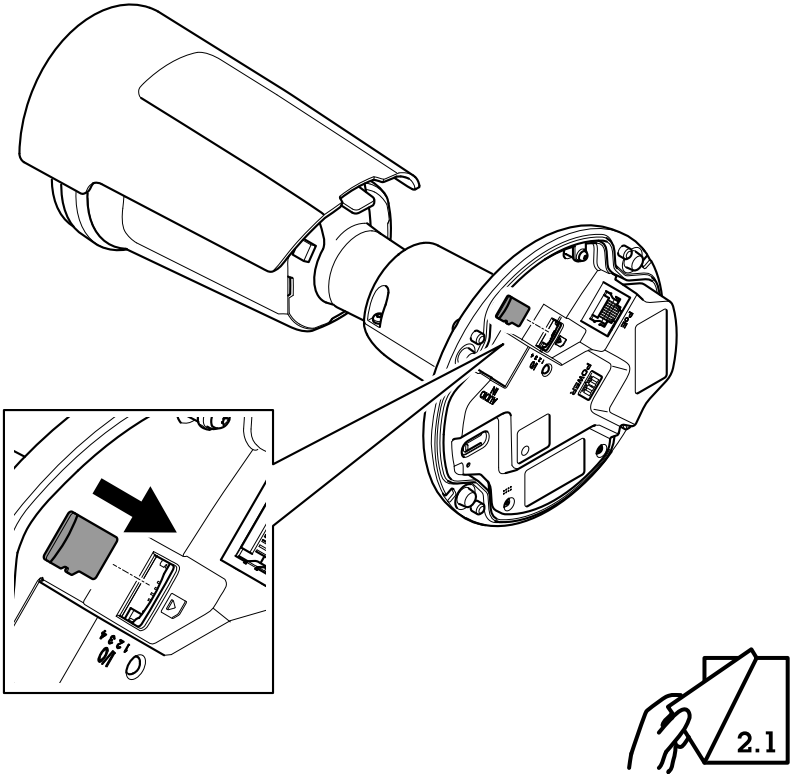
통지

- 돔 커버가 긁히거나 손상되거나 지문이 남지 않도록 주의하십시오. 이는 이미지 품질을 저하시킬 수 있습니다. 가능하다면 설치

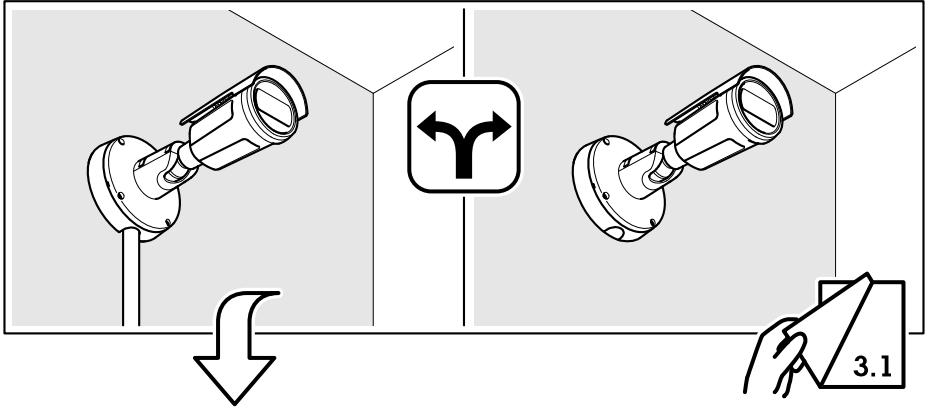
- 완료된 후 돔 커버의 보호 플라스틱을 제거하십시오.
- 눈이나 먼지에 노출되면 돔 커버를 닦지 말고 깨끗하게 닦으십시오. 과도한 청소는 돔 커버의 외관을 손상시킬 수 있습니다.
- 돔 커버의 외관을 청소할 때는 비마모 물티슈를 사용하십시오. 세제를 섞은 물티슈를 사용하지 마십시오. 얼룩이 남지 않도록 고압 세척기를 사용하지 마십시오.
- 강렬한 햇빛을 피하십시오. 벤젠, 아세톤 또는 유사한 화학 물질을 사용하지 마십시오.
- 직사광선이 비치거나 온도가 높은 곳에서 돔 커버를 청소하지 마십시오.



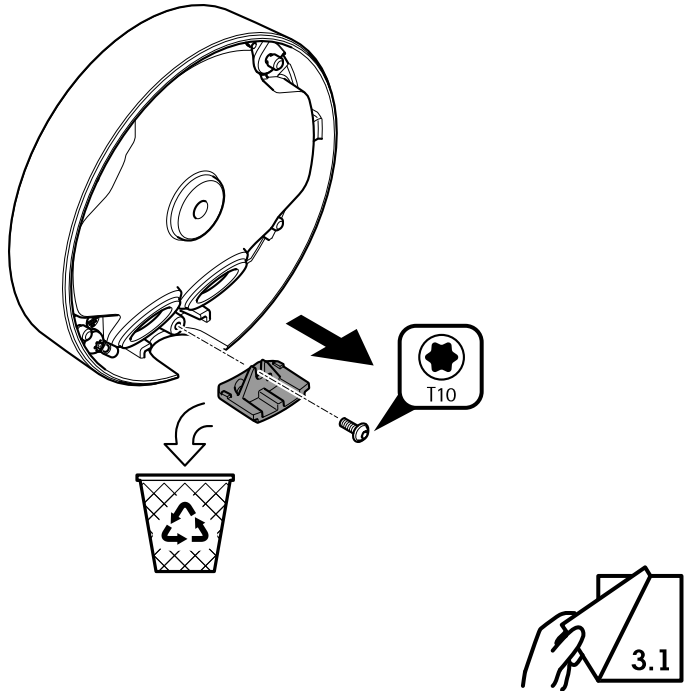
1.1



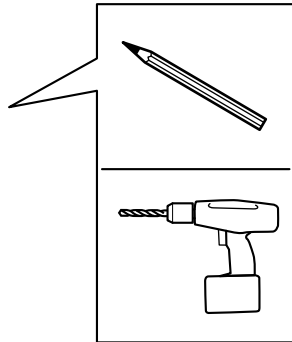
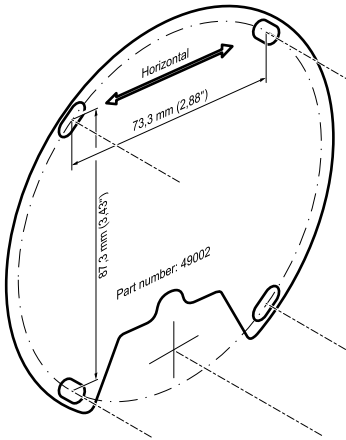
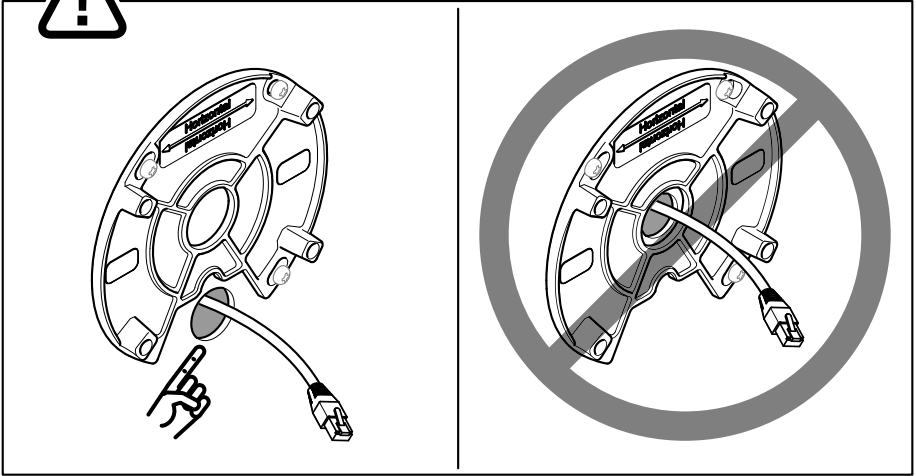
2.1



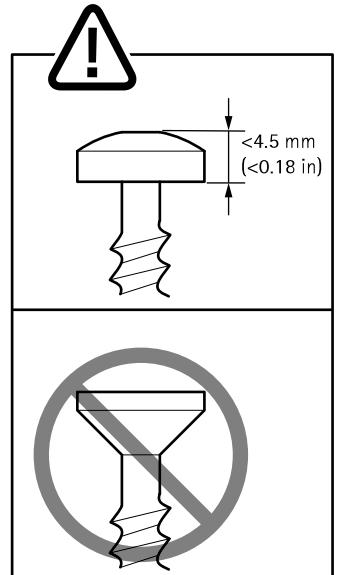
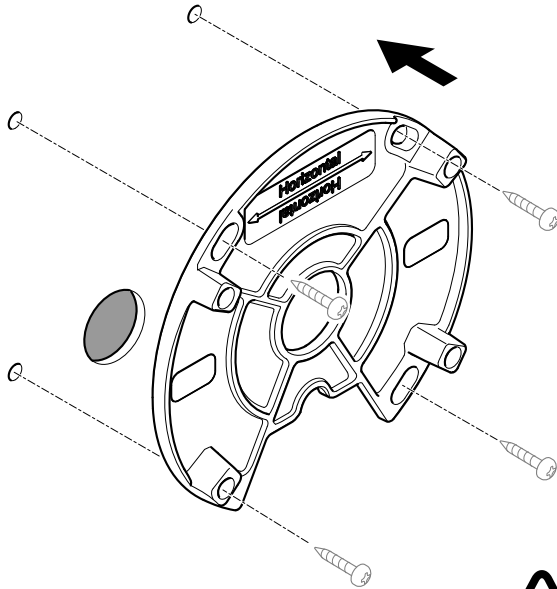
2.2



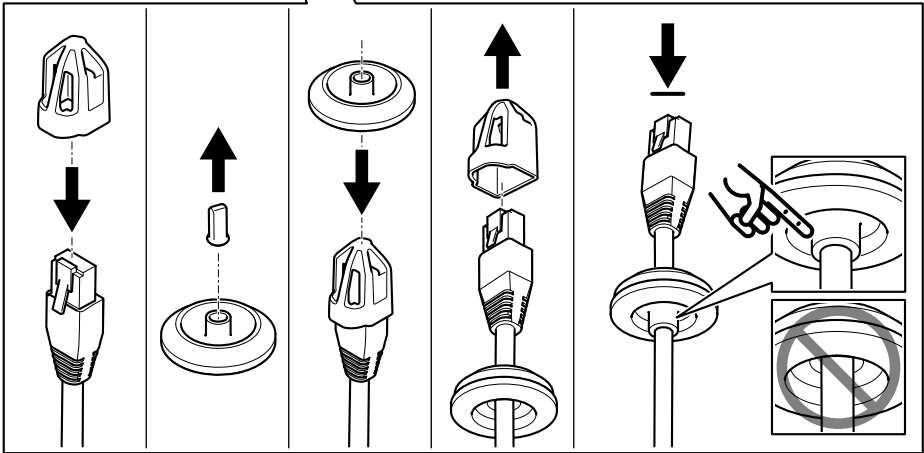
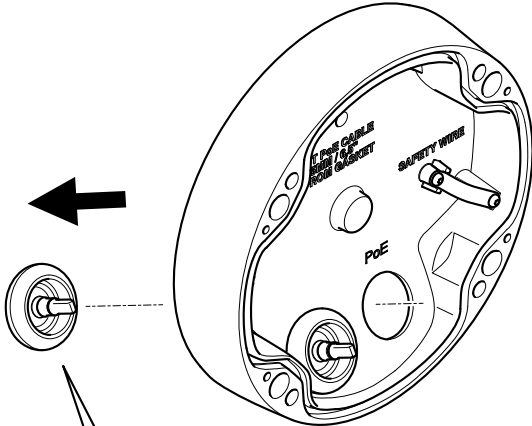
3.1

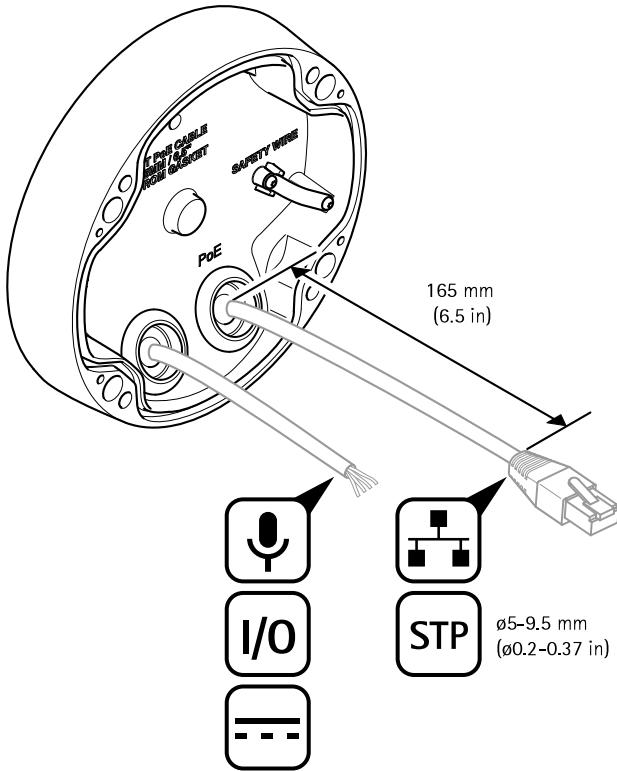


3.2

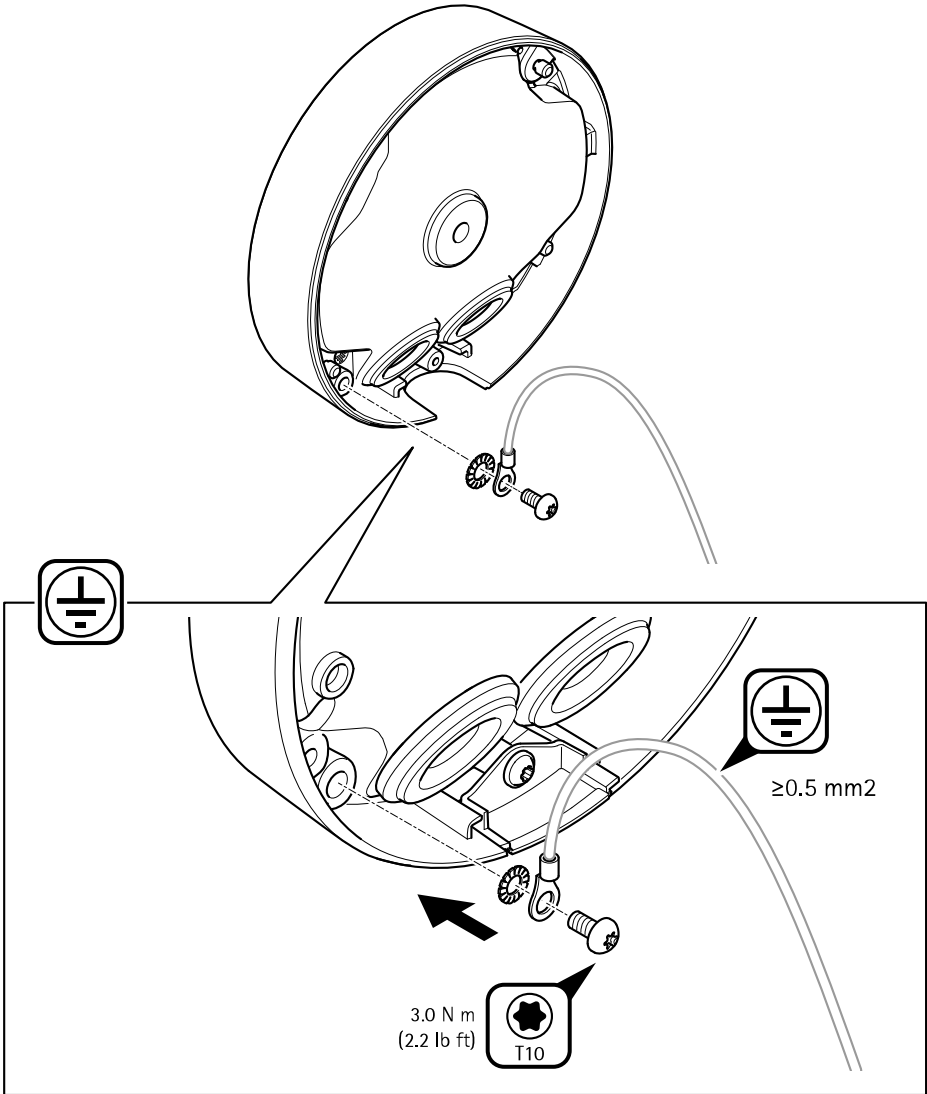


3.3

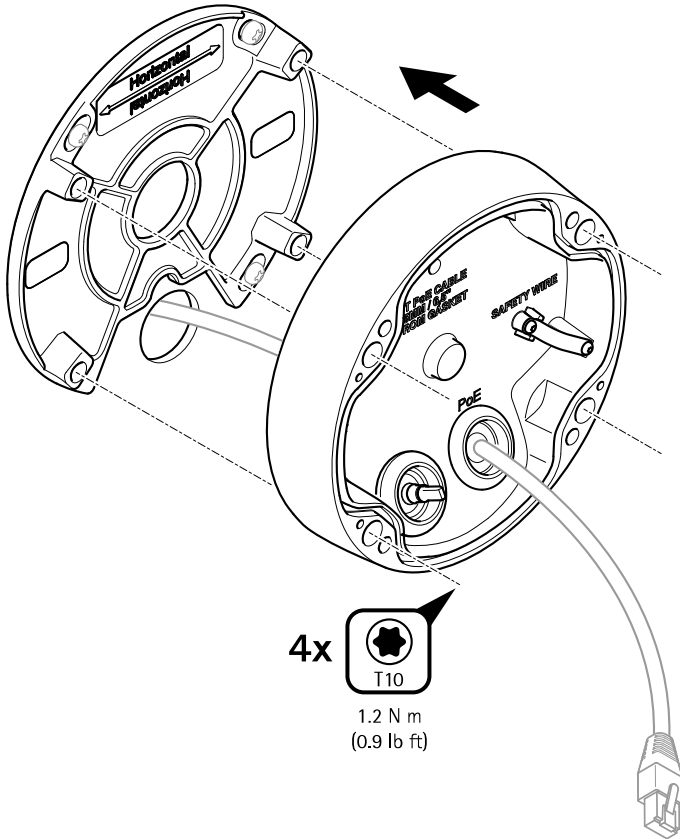




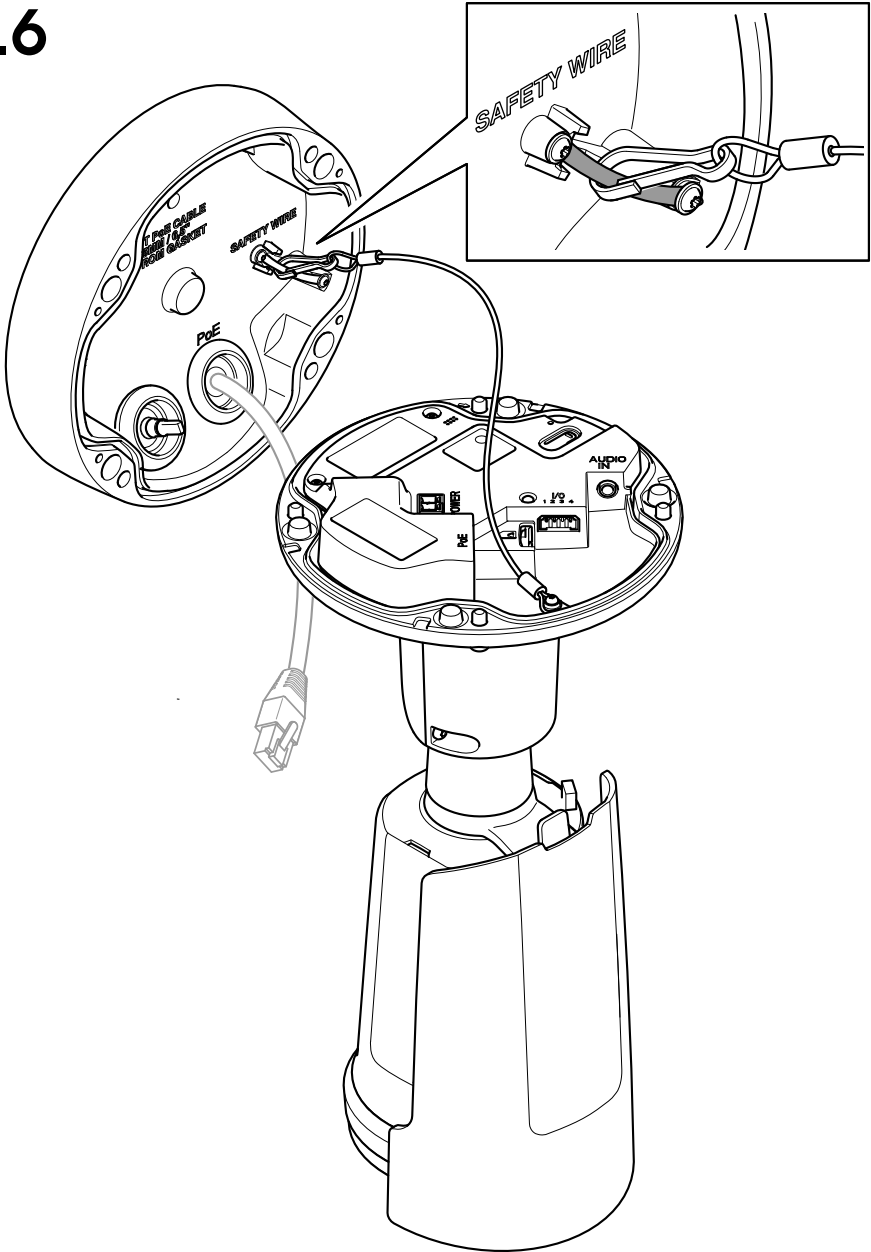
3.4

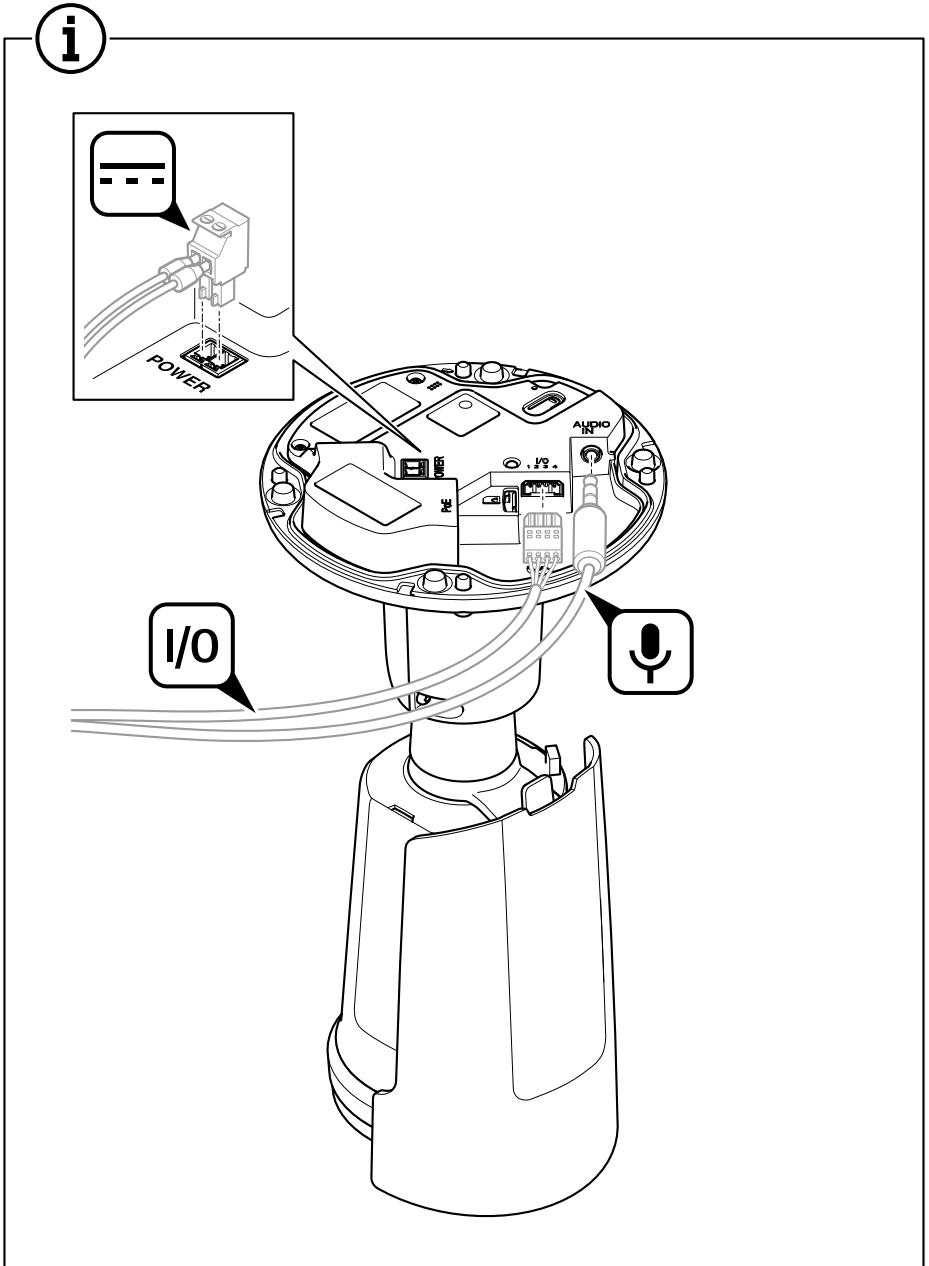


3.5

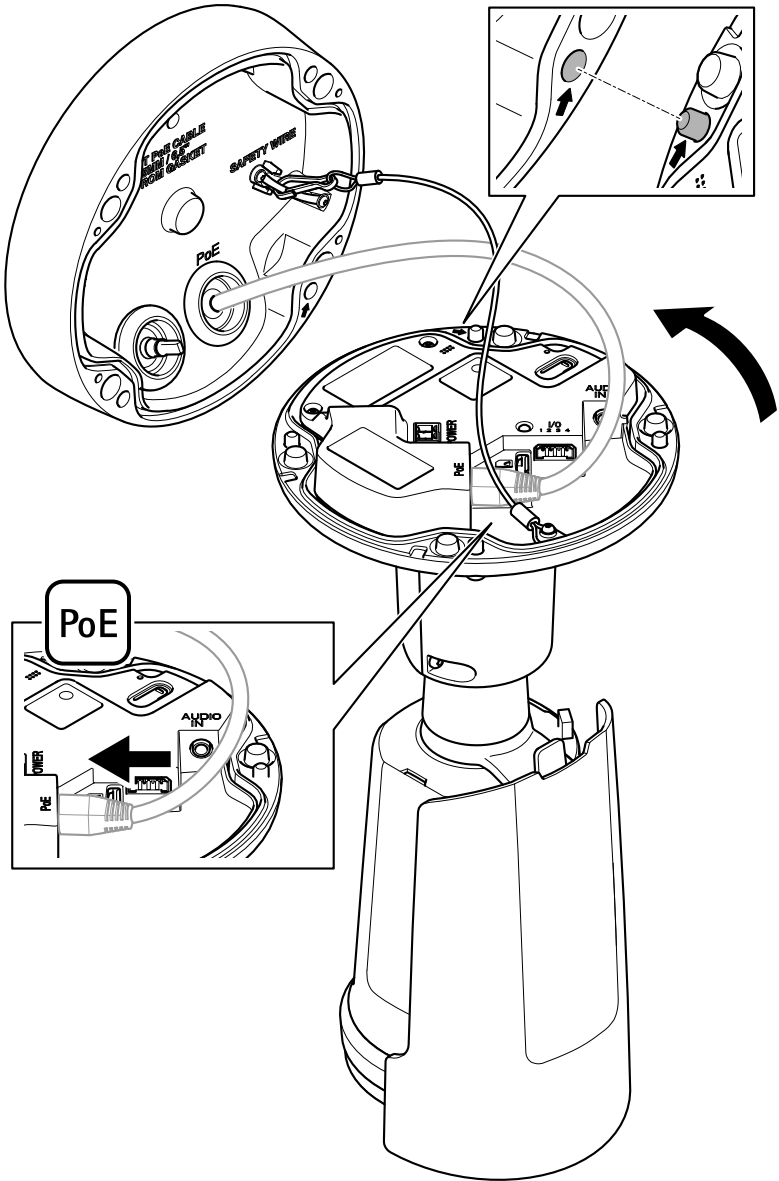


3.6

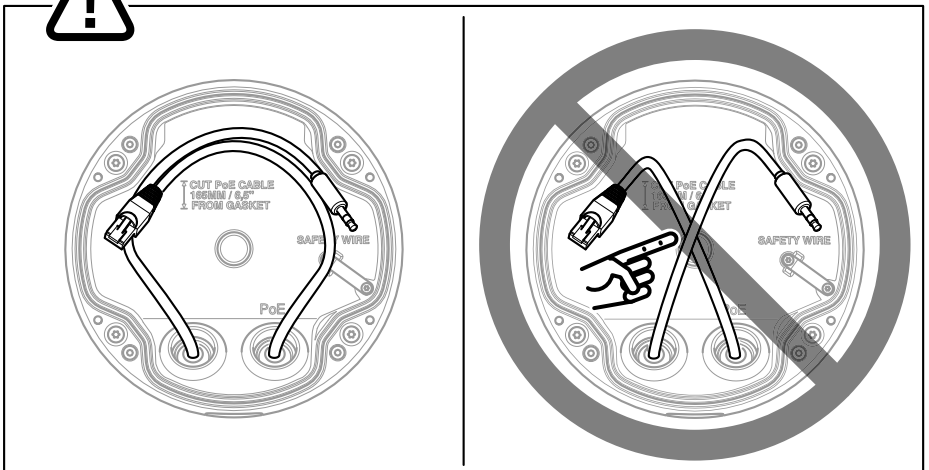
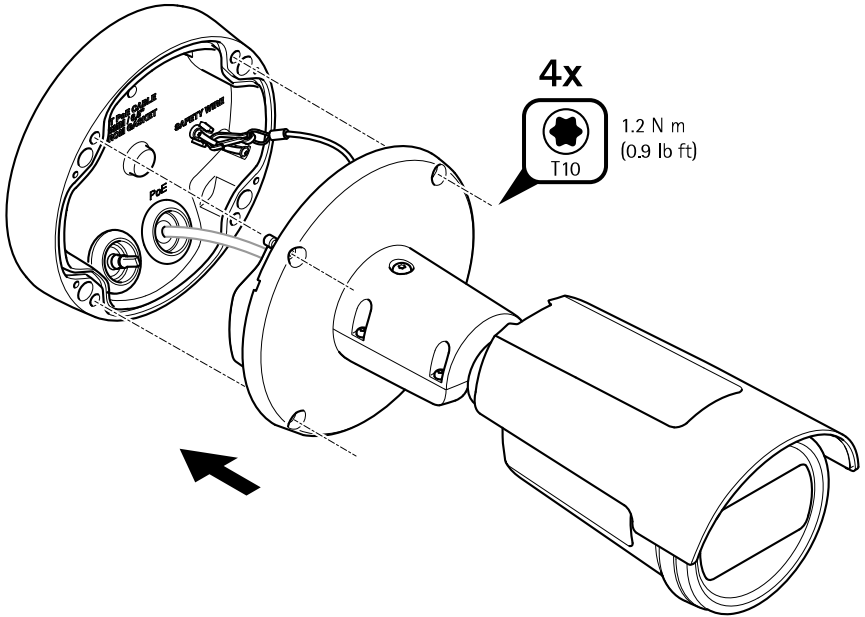


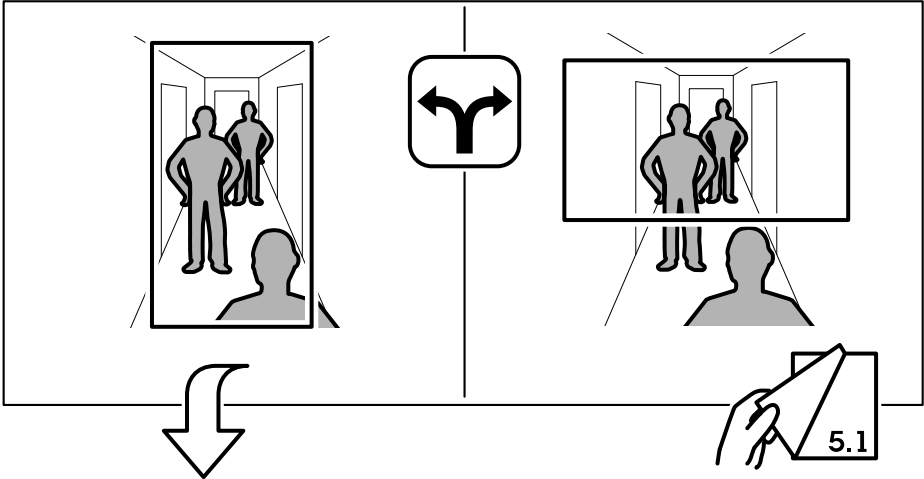


3.7

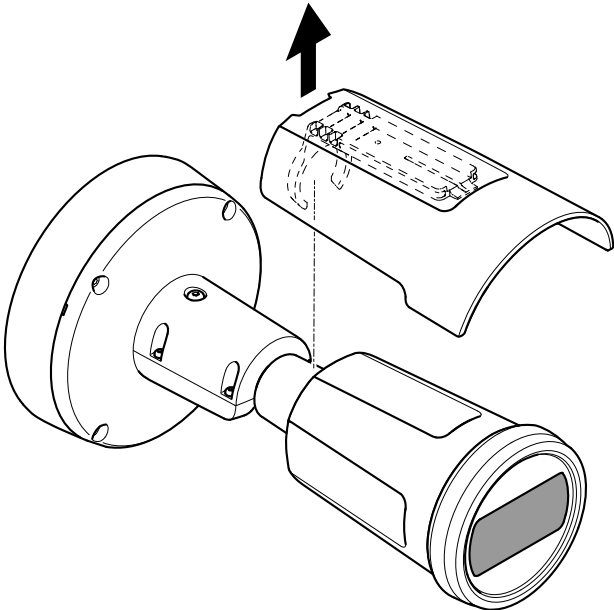


3.8

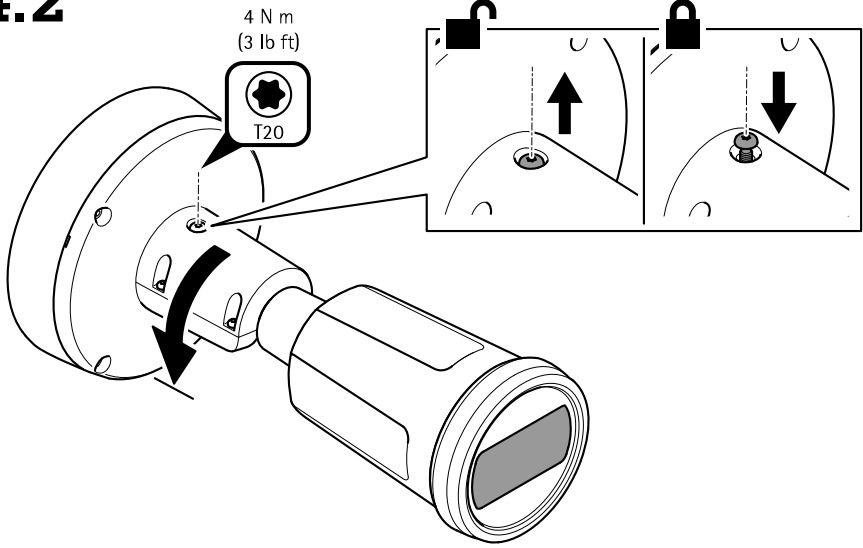




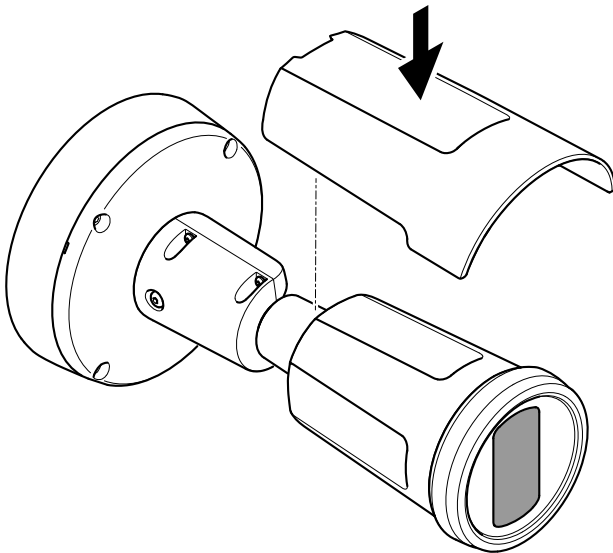
4.1



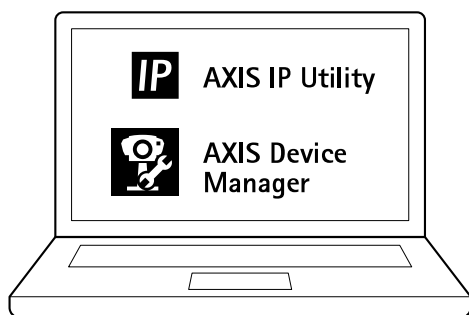
4.2



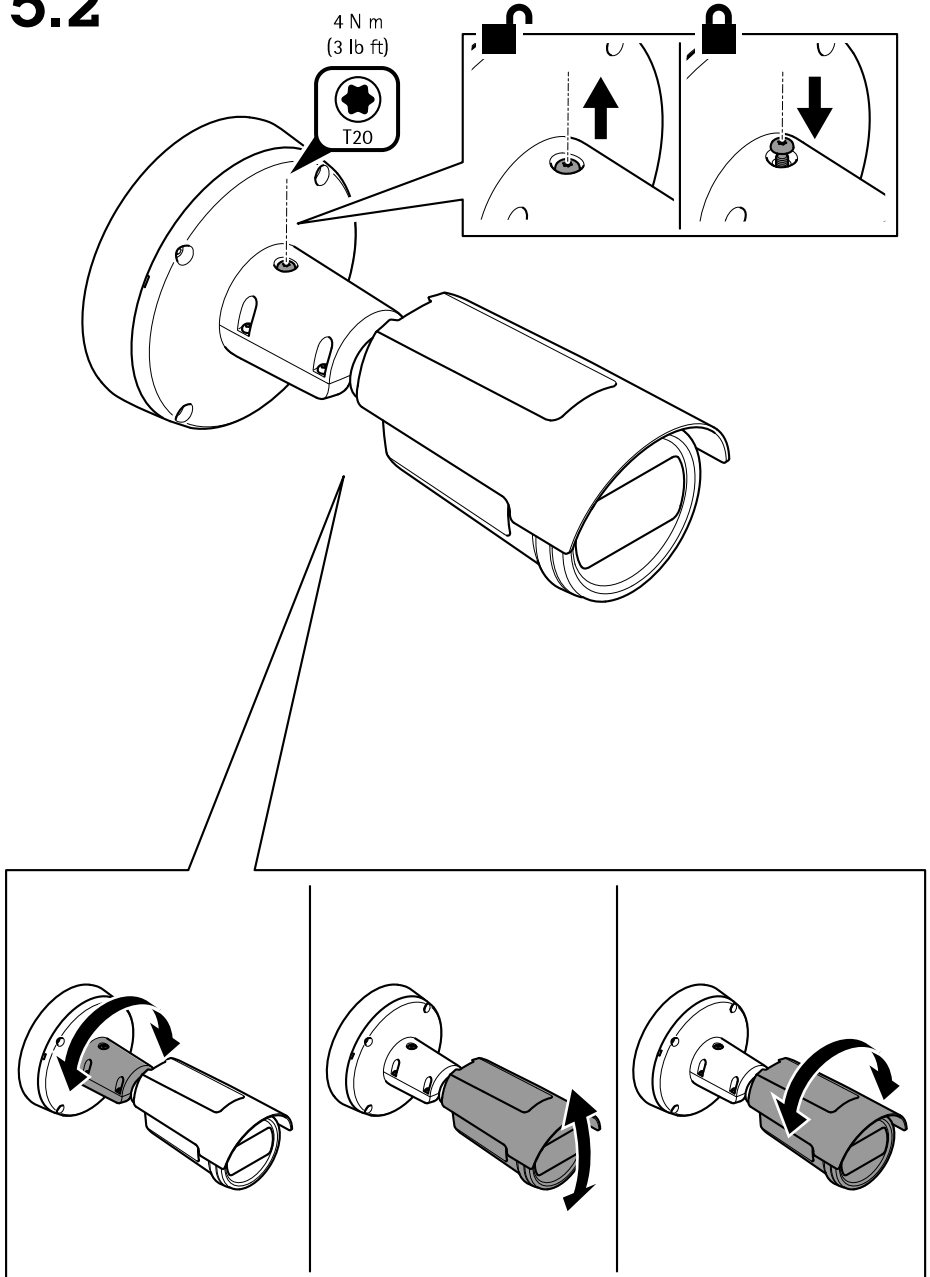
4.3



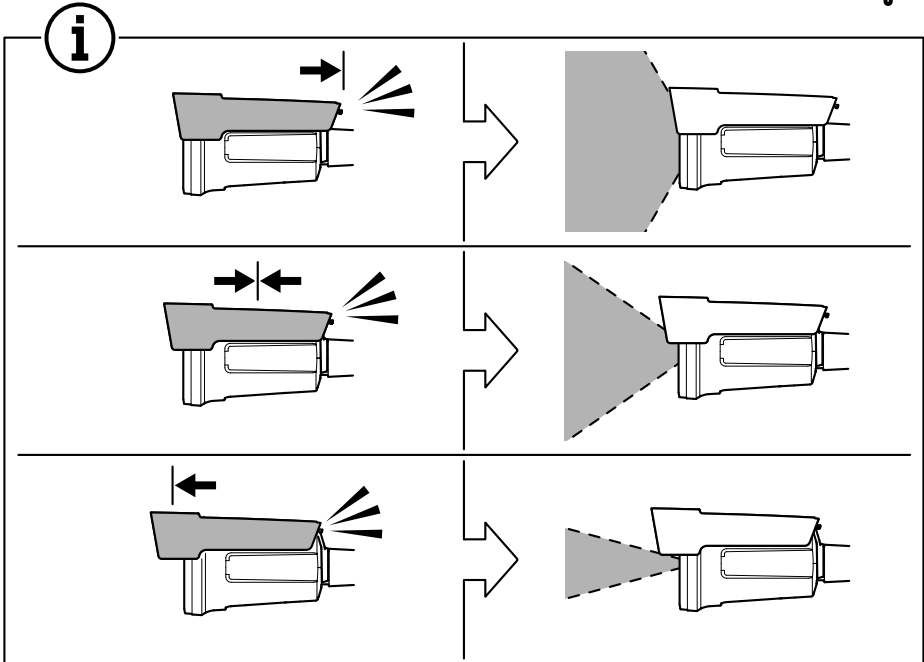
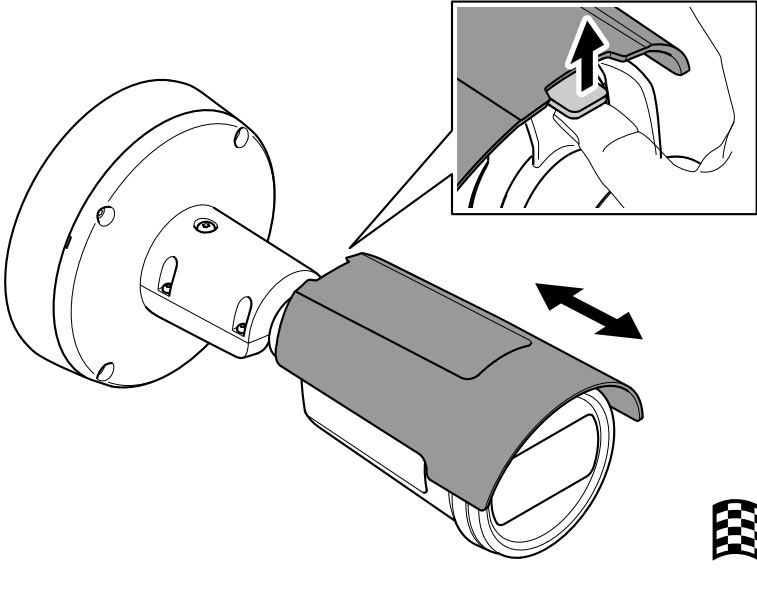
5.1



5.2



5.3



Installation Guide

AXIS P14 Bullet Camera Series

© 2021 - 2022 Axis Communications AB

Ver. M4.1

Date: August 2022

Part No. 2594940