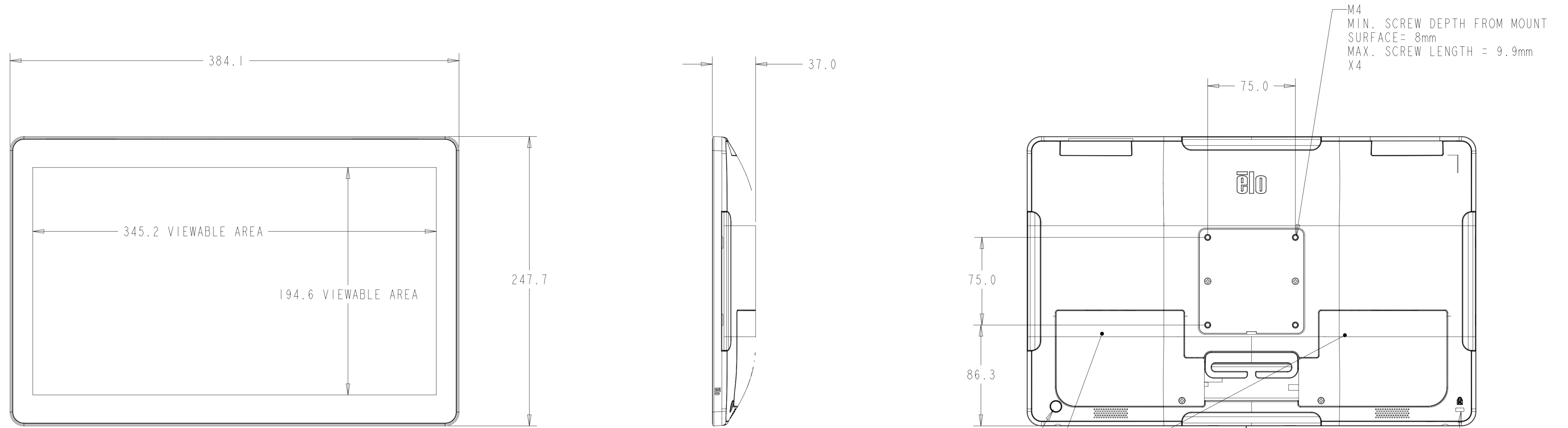
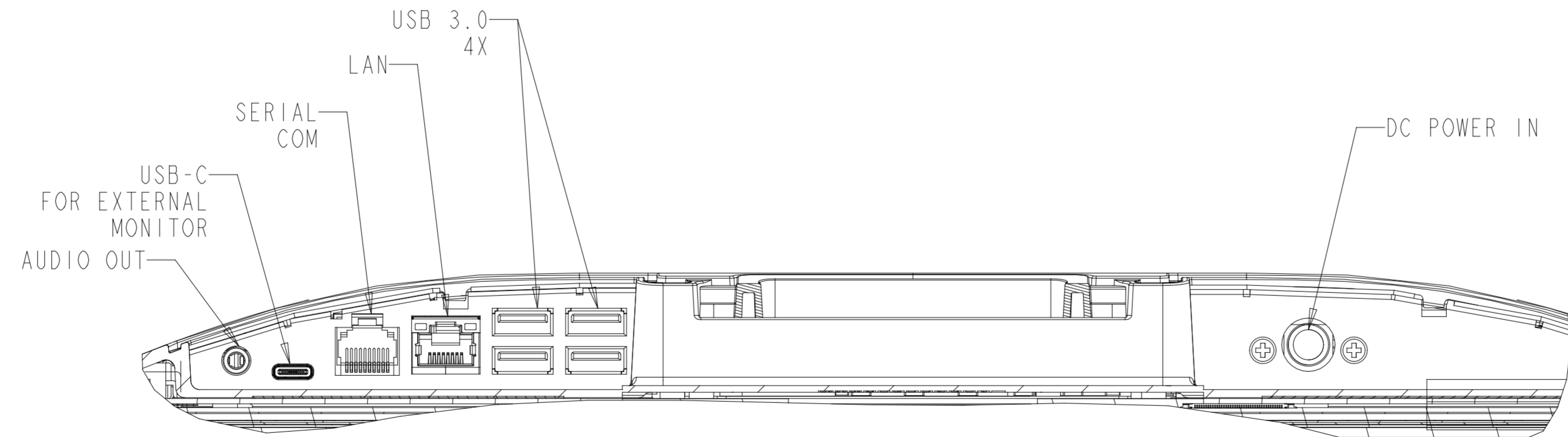


15" (16:9) NO STAND



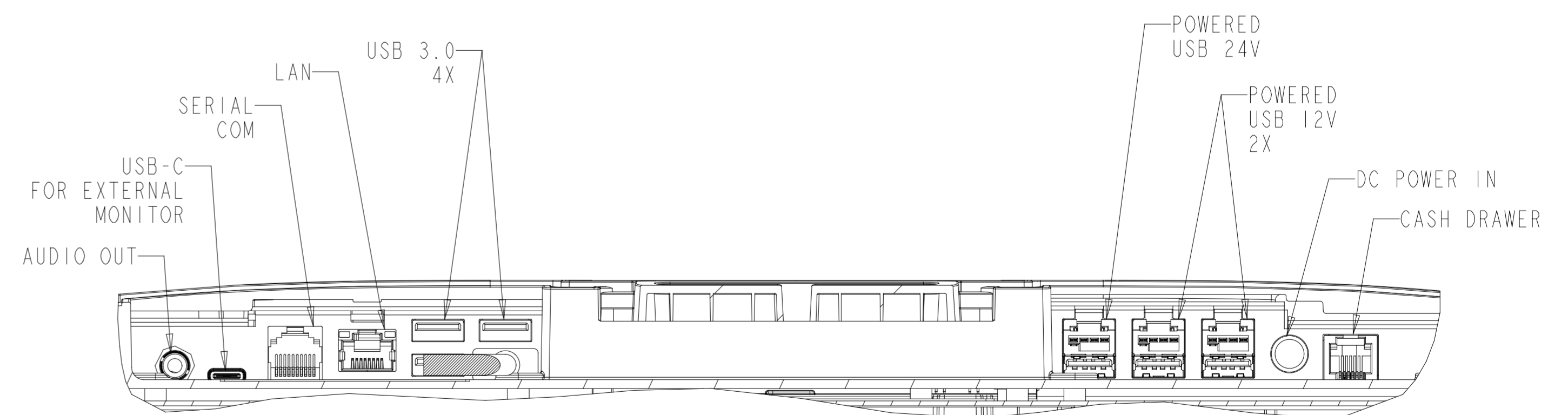
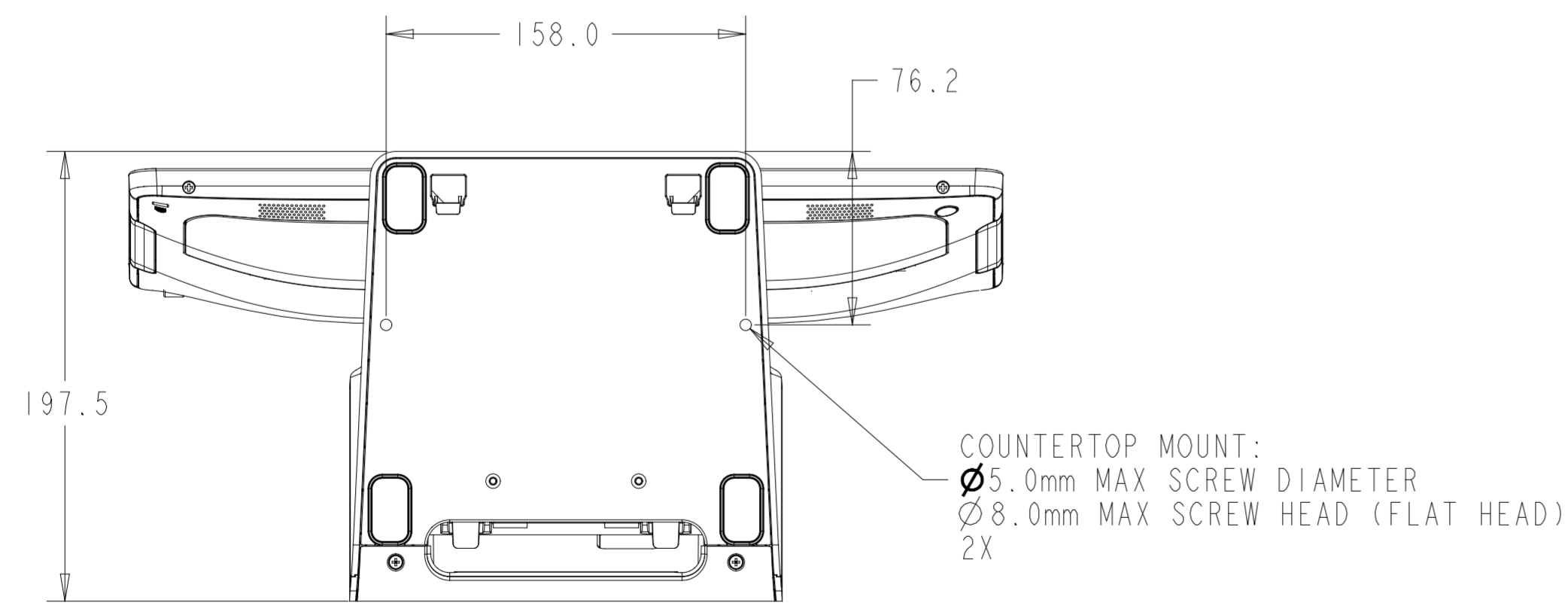
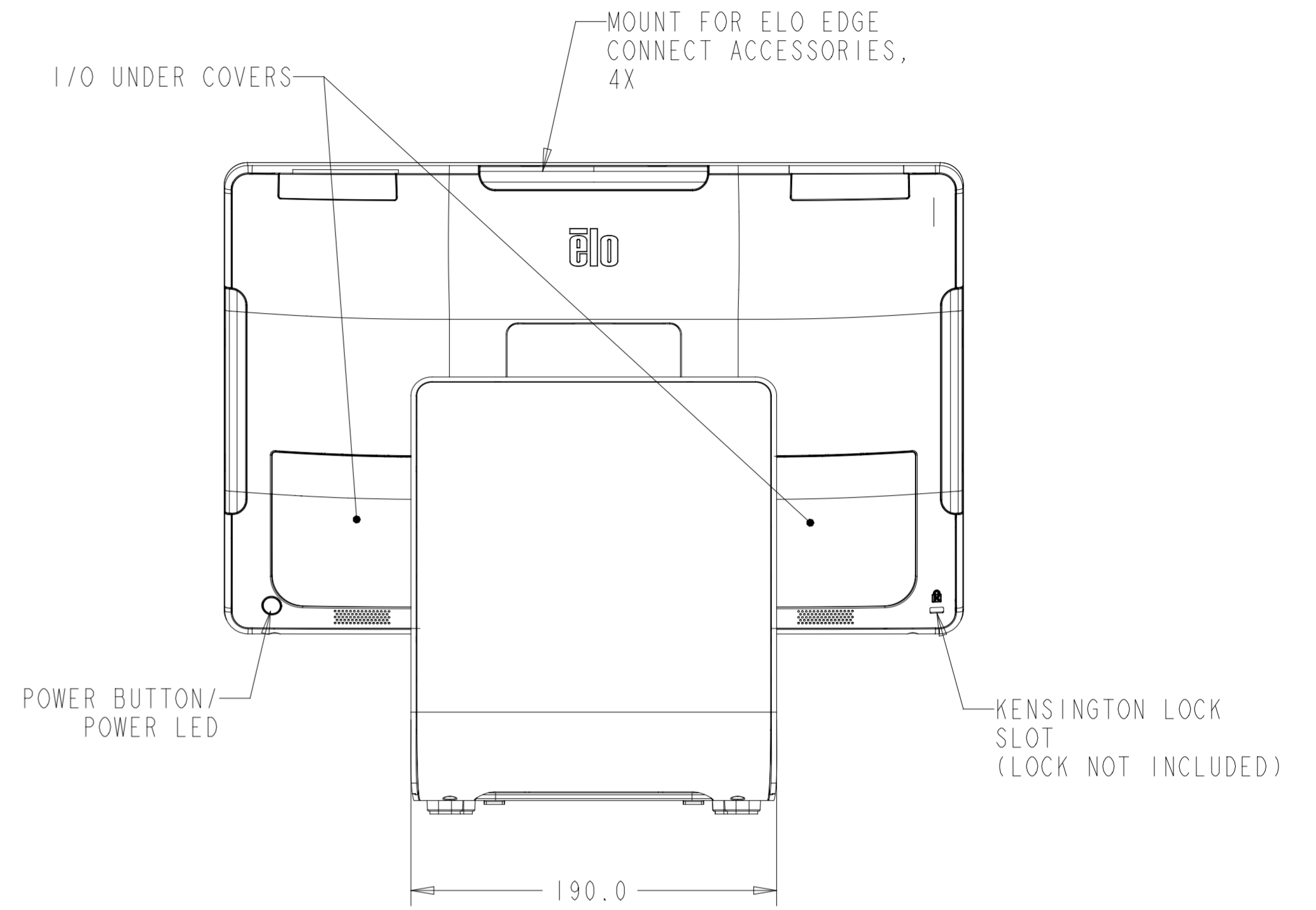
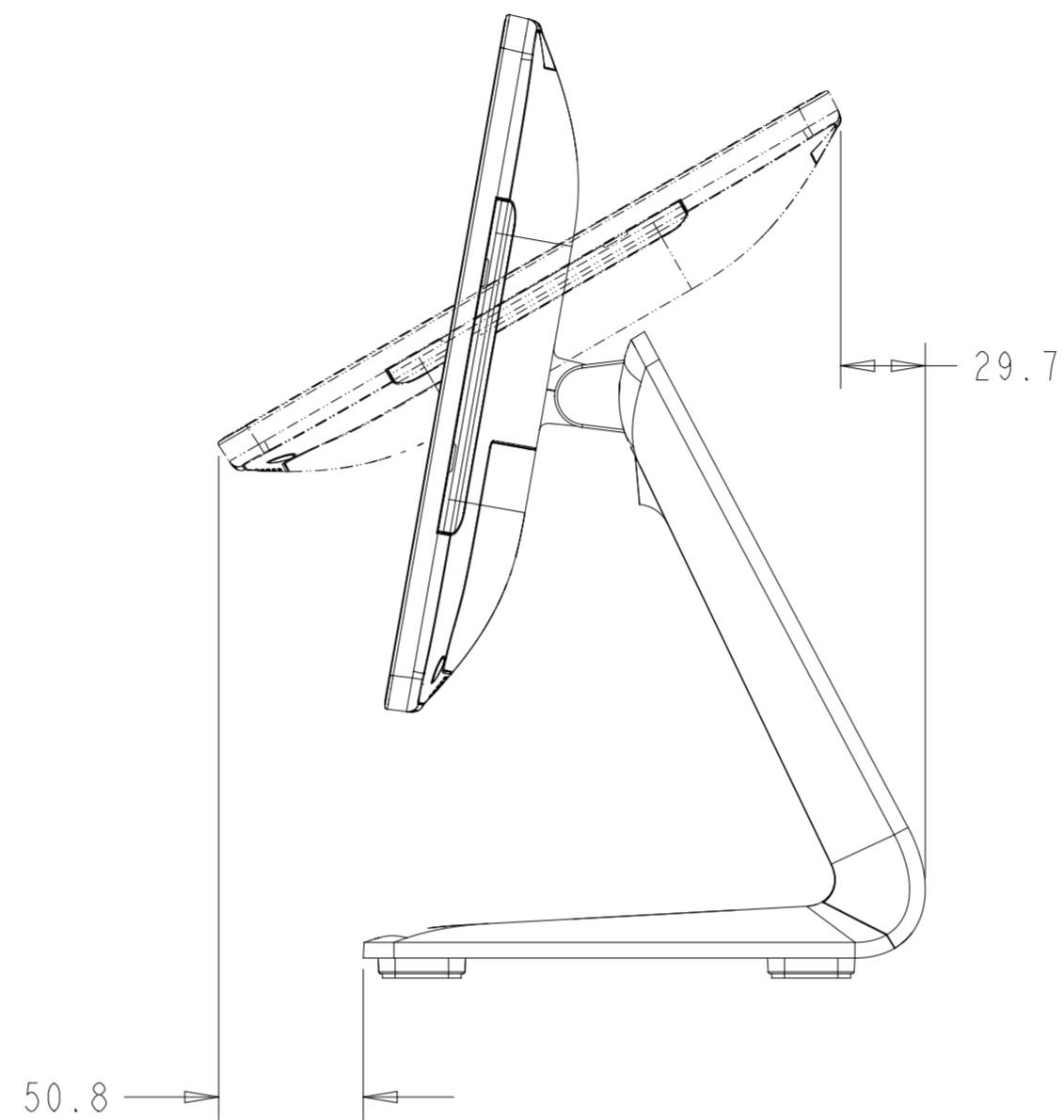
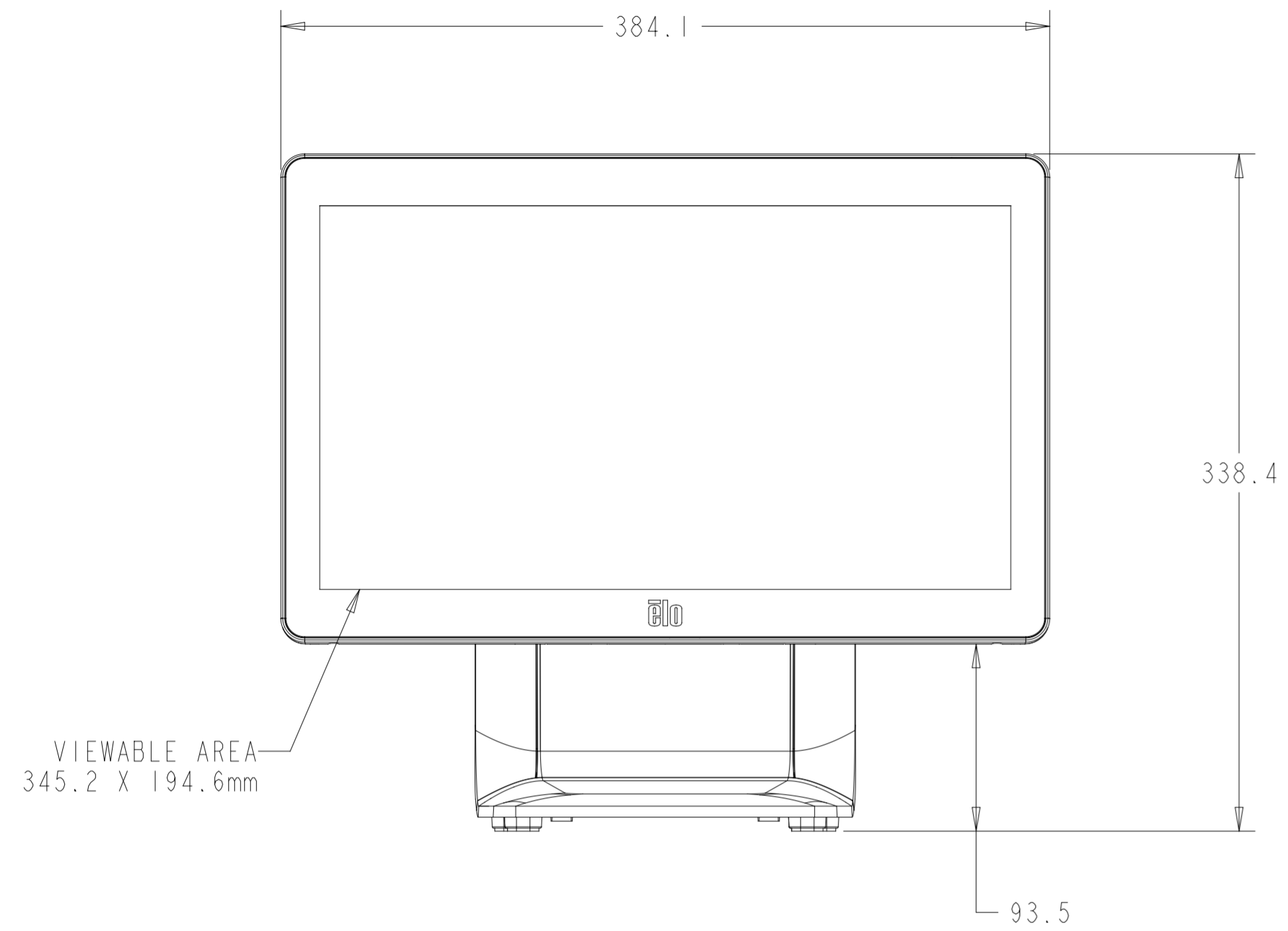
M4
MIN. SCREW DEPTH FROM MOUNT SURFACE = 8mm
MAX. SCREW LENGTH = 9.9mm
X4

POWER BUTTON/
POWER LED
I/O UNDER COVERS
MOUNT FOR ELO EDGE
CONNECT ACCESSORIES,
X4
KENSINGTON LOCK
SLOT
(LOCK NOT INCLUDED)



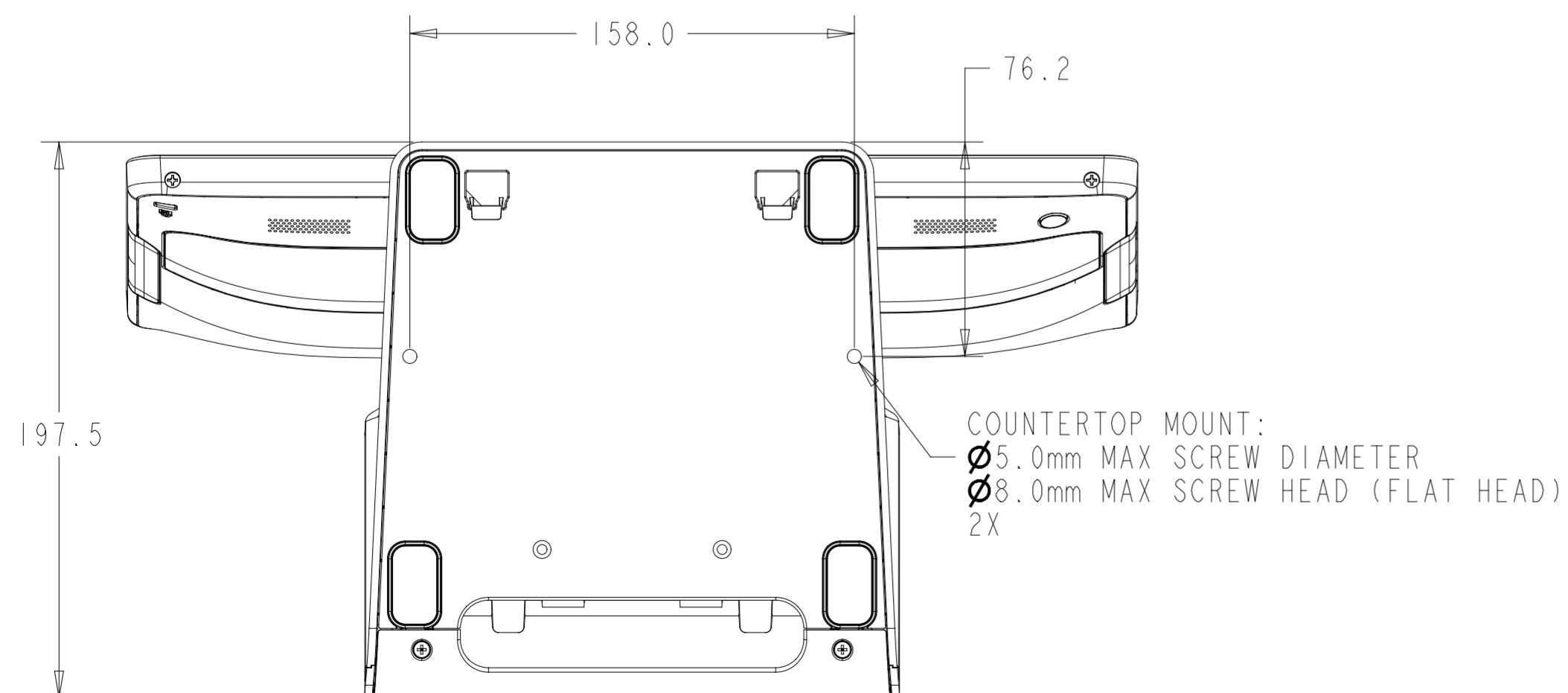
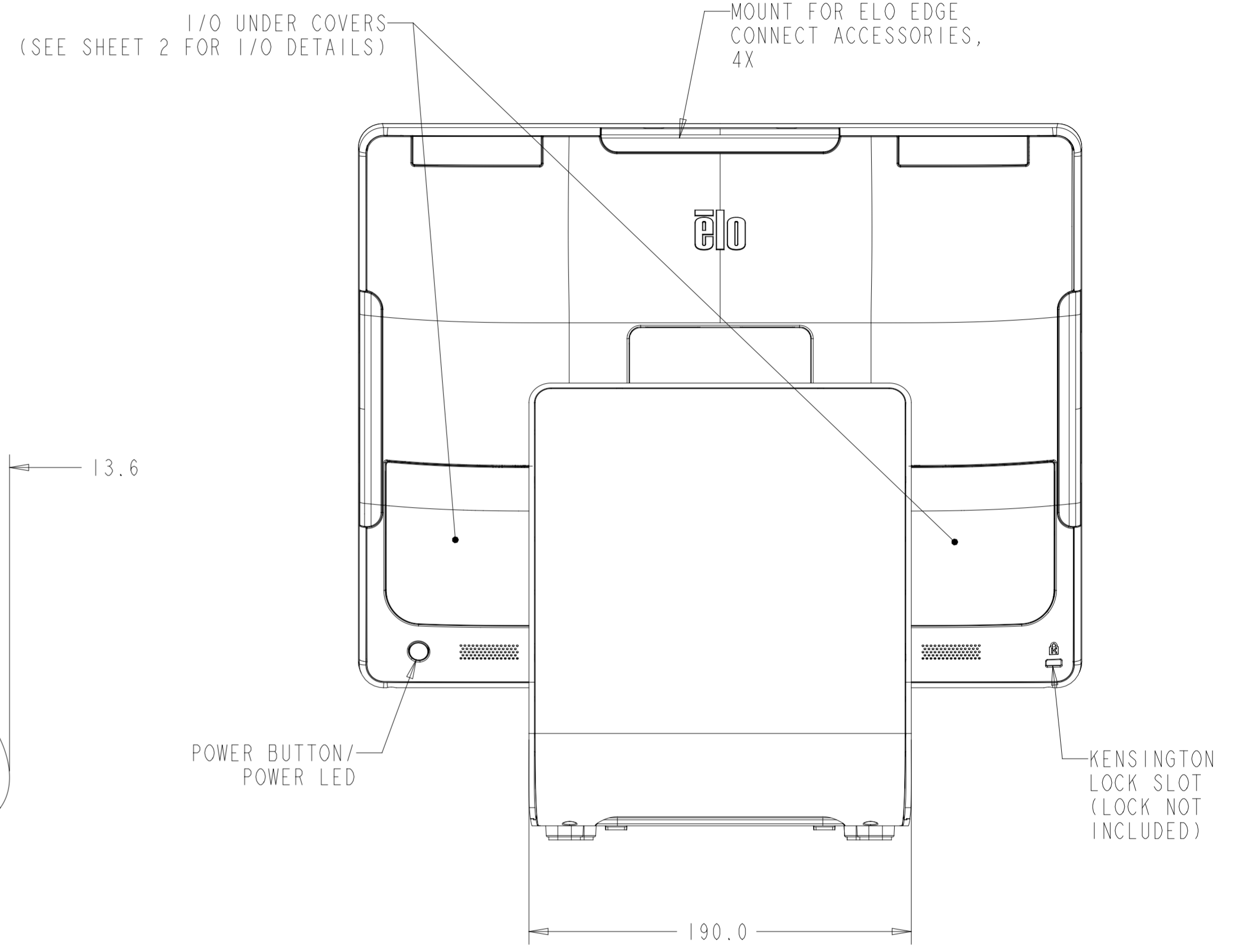
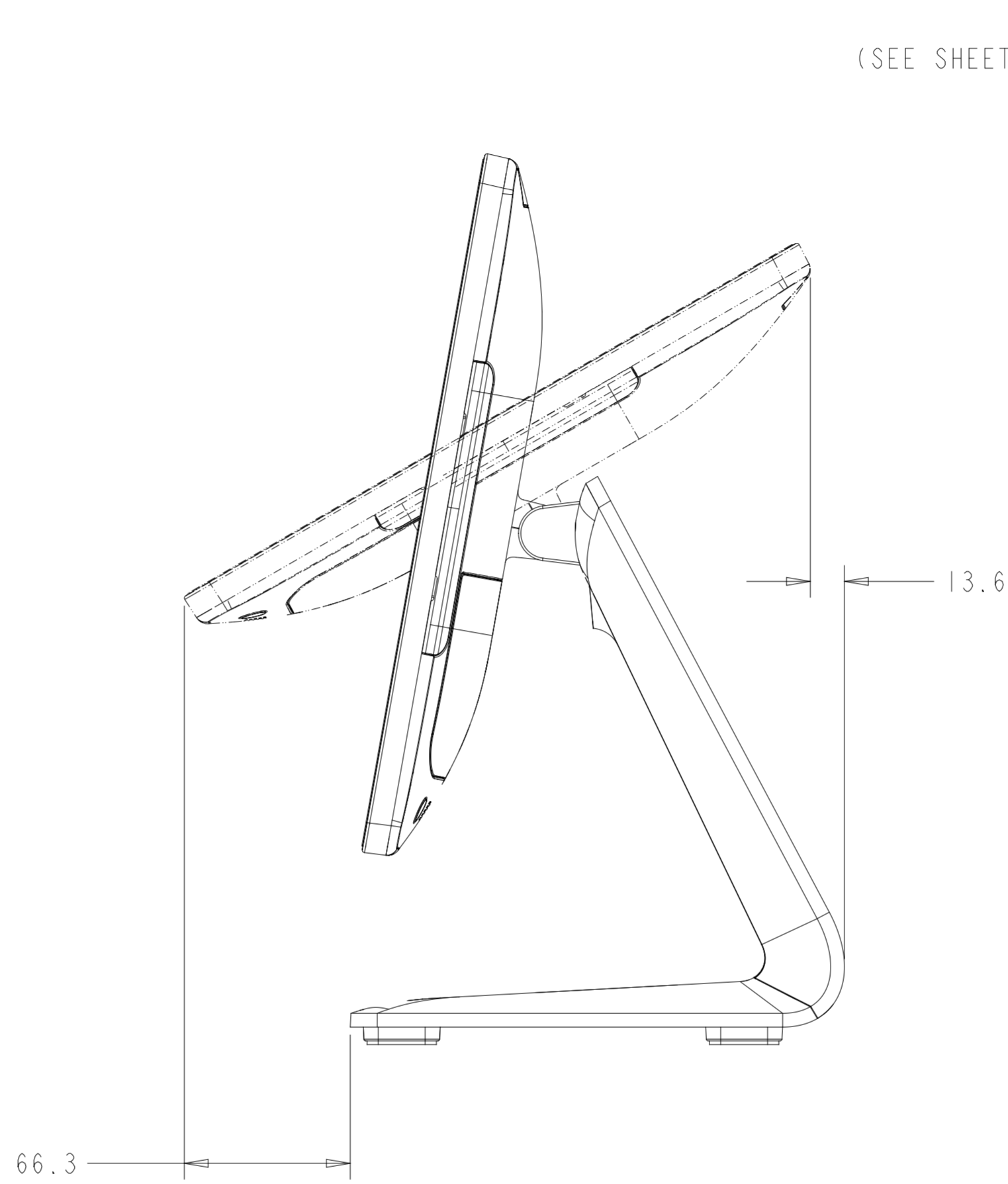
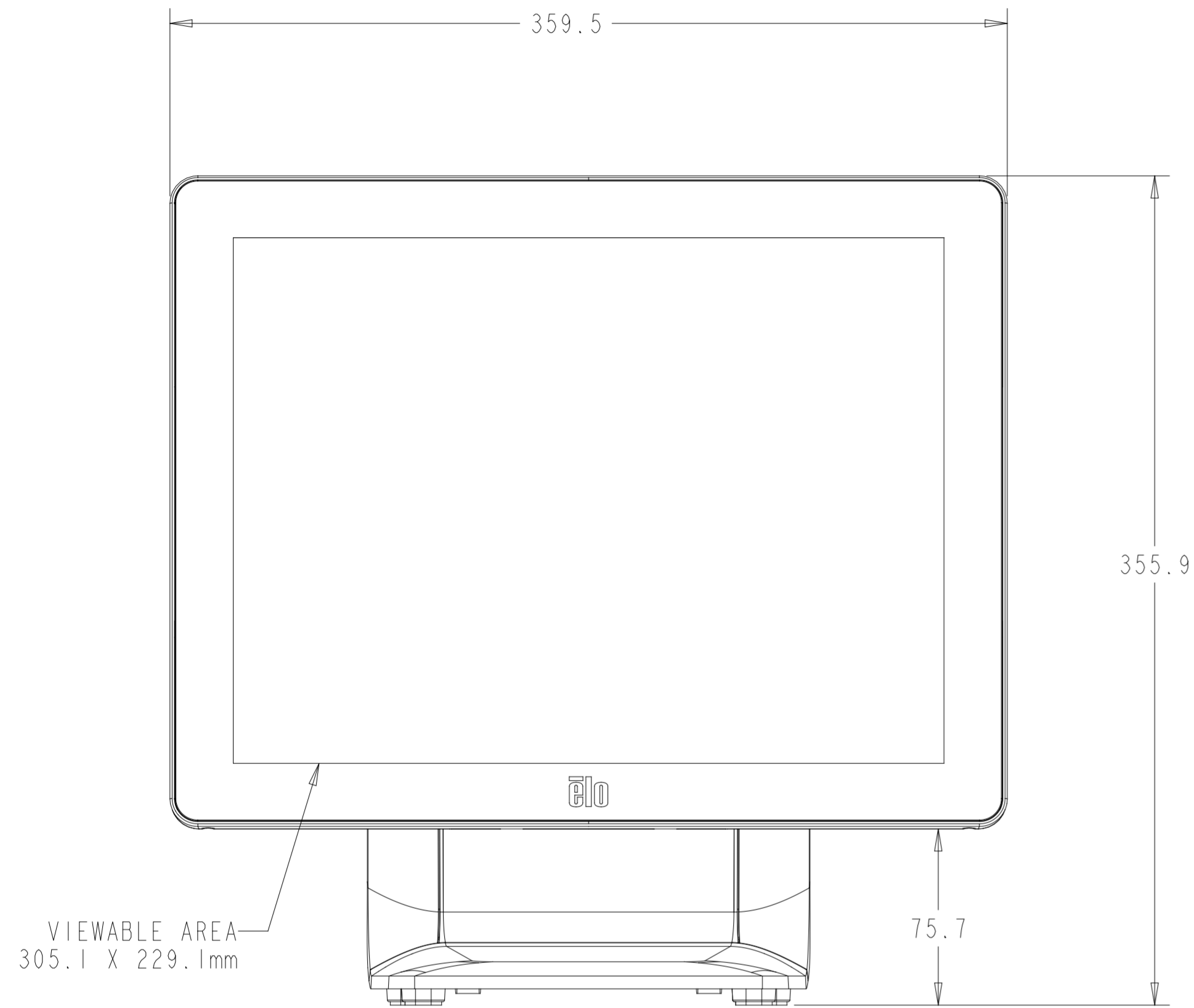
I/O FOR ALL MODELS WITHOUT STAND

15" (16:9) WITH STAND



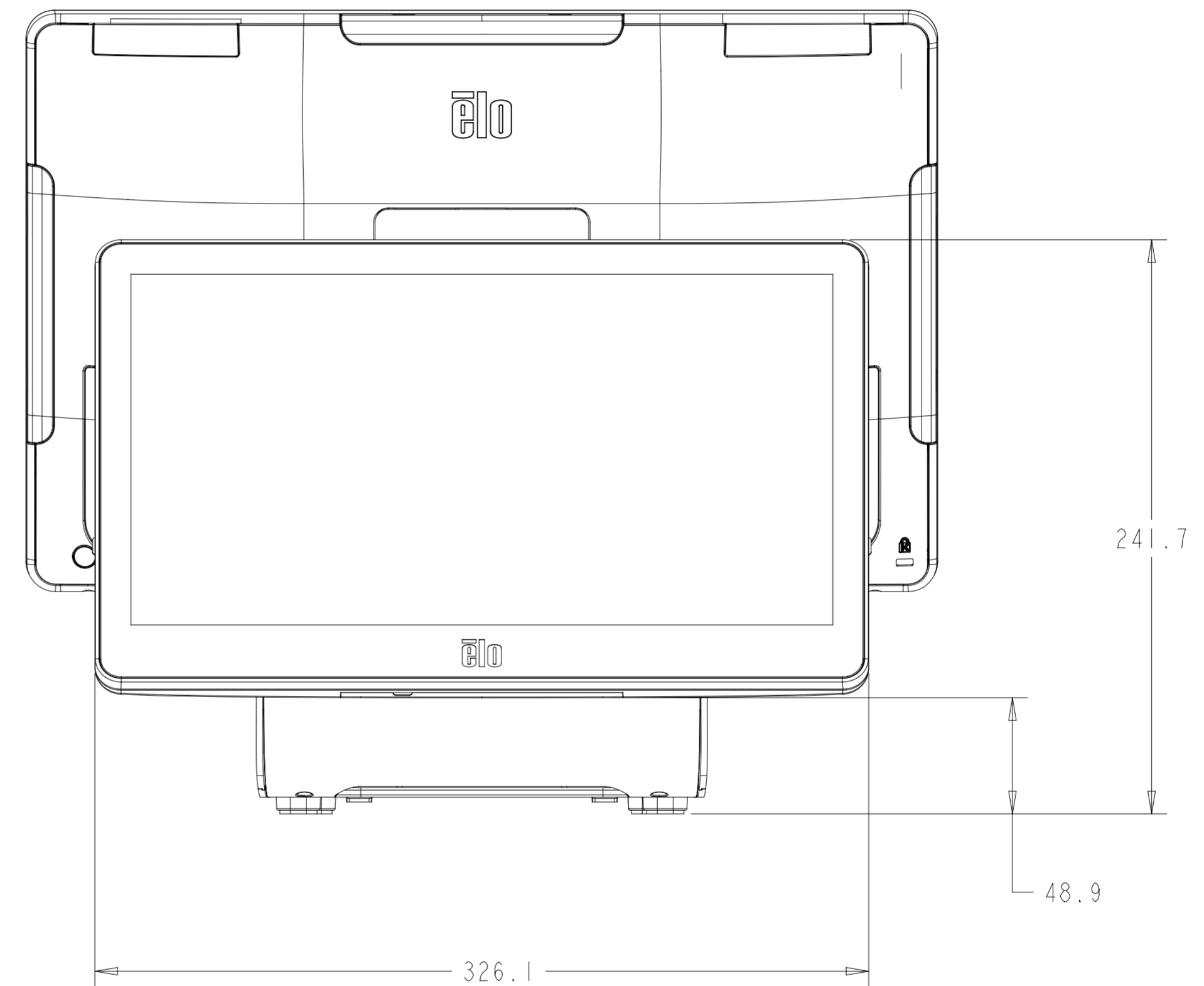
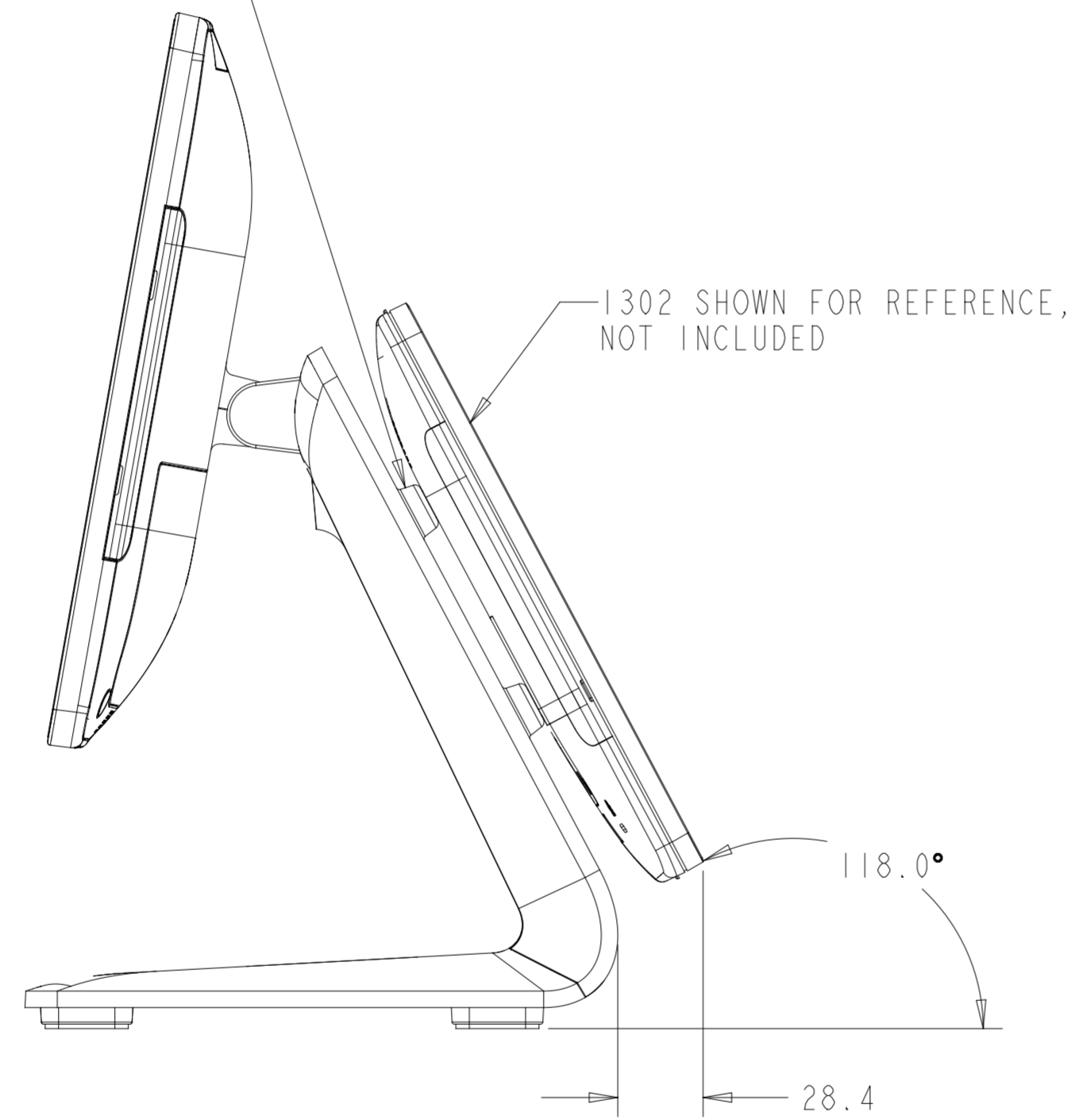
I/O FOR ALL MODELS WITH STAND

15" (4:3) WITH STAND
SEE SHEET 4 FOR CUSTOMER-FACING DISPLAY MOUNTING

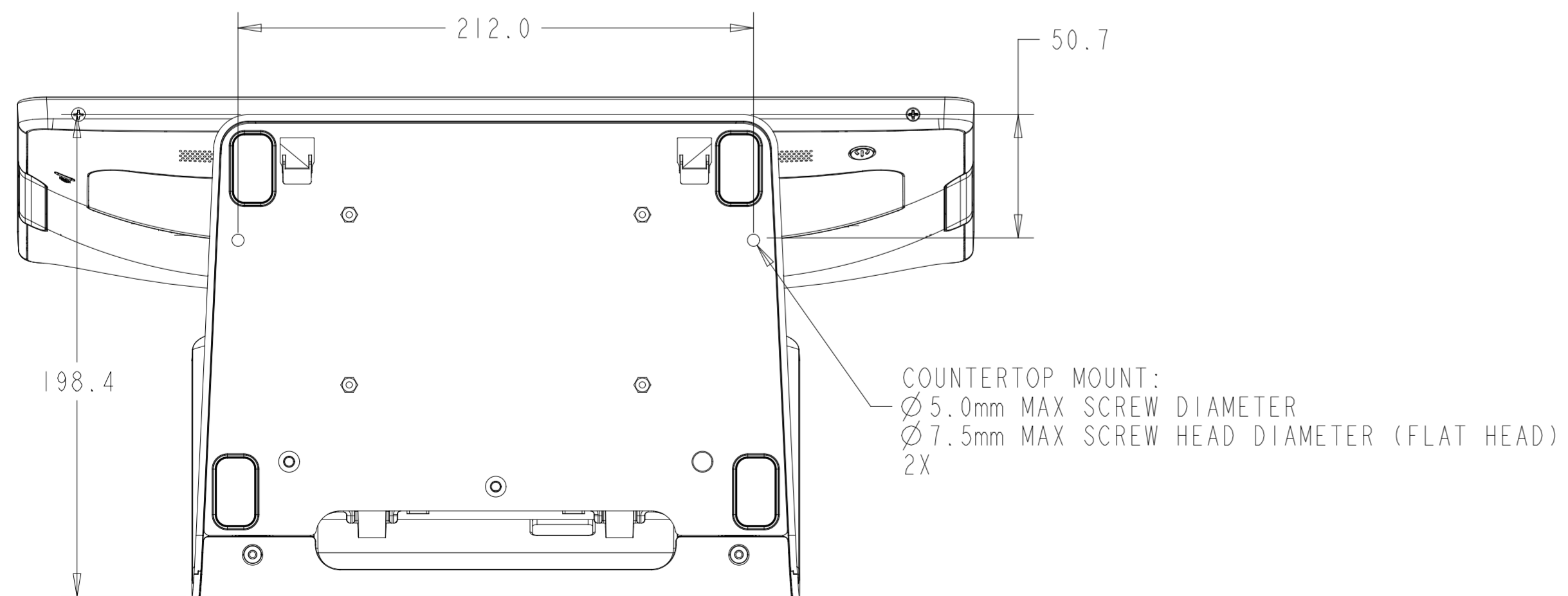
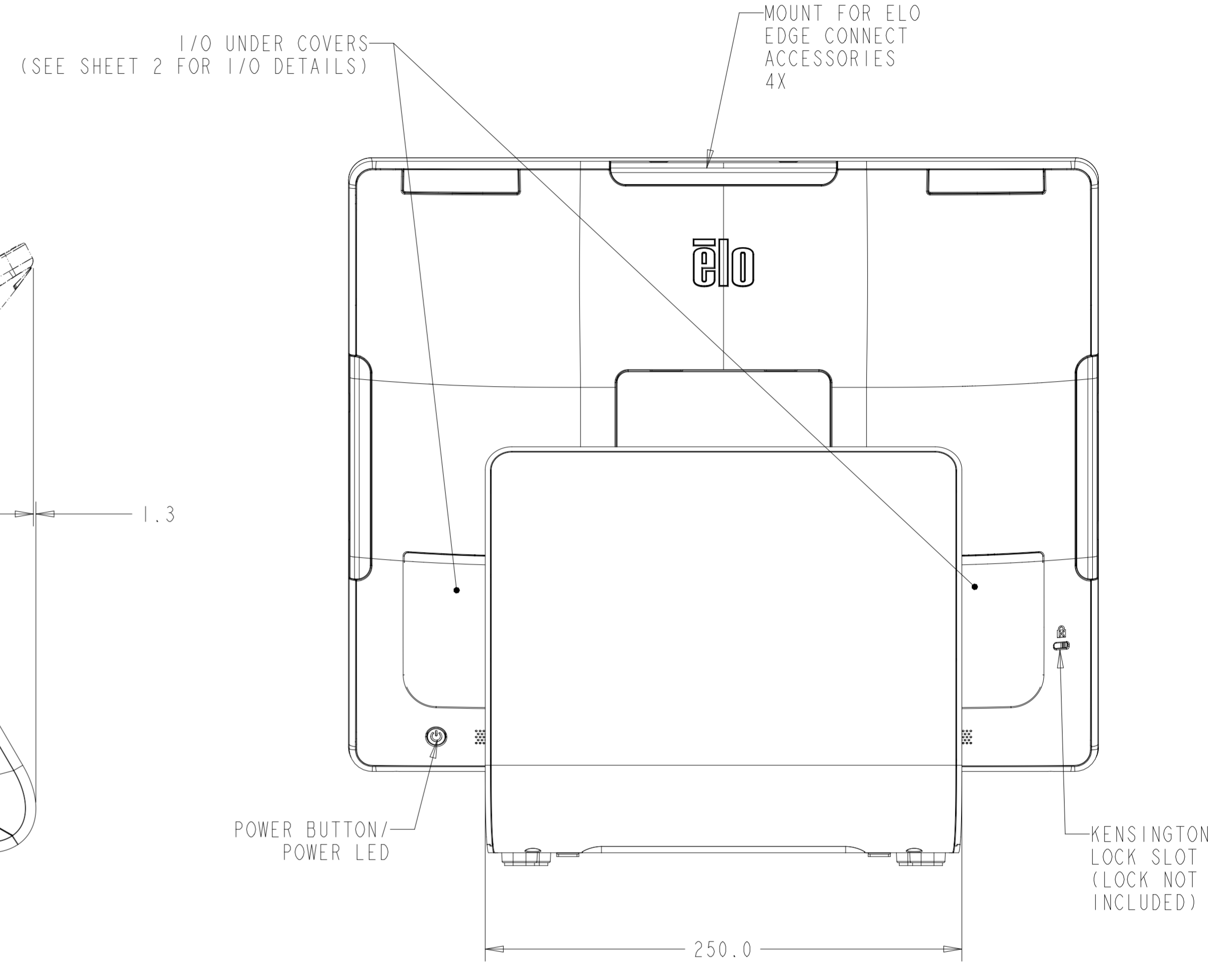
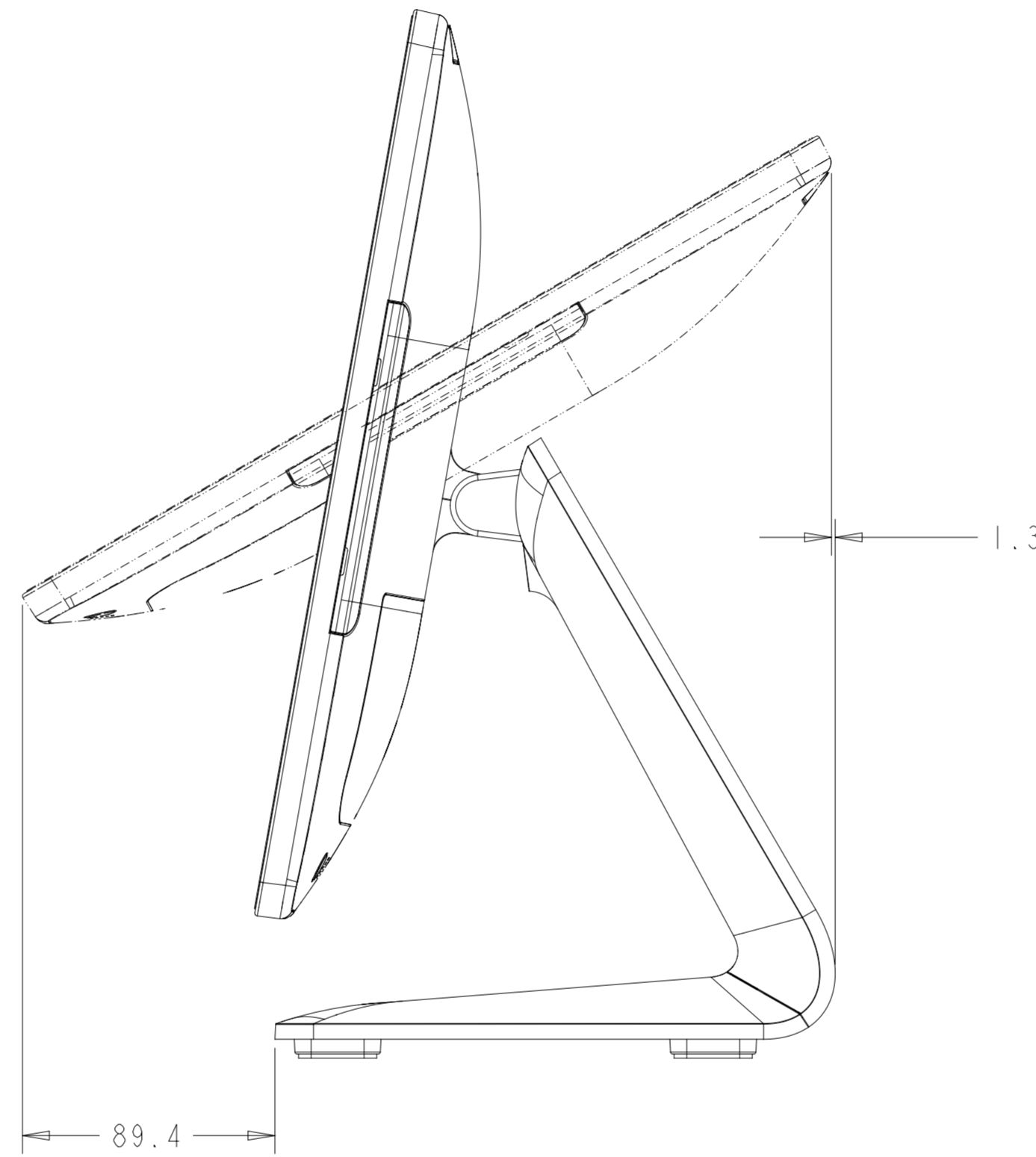
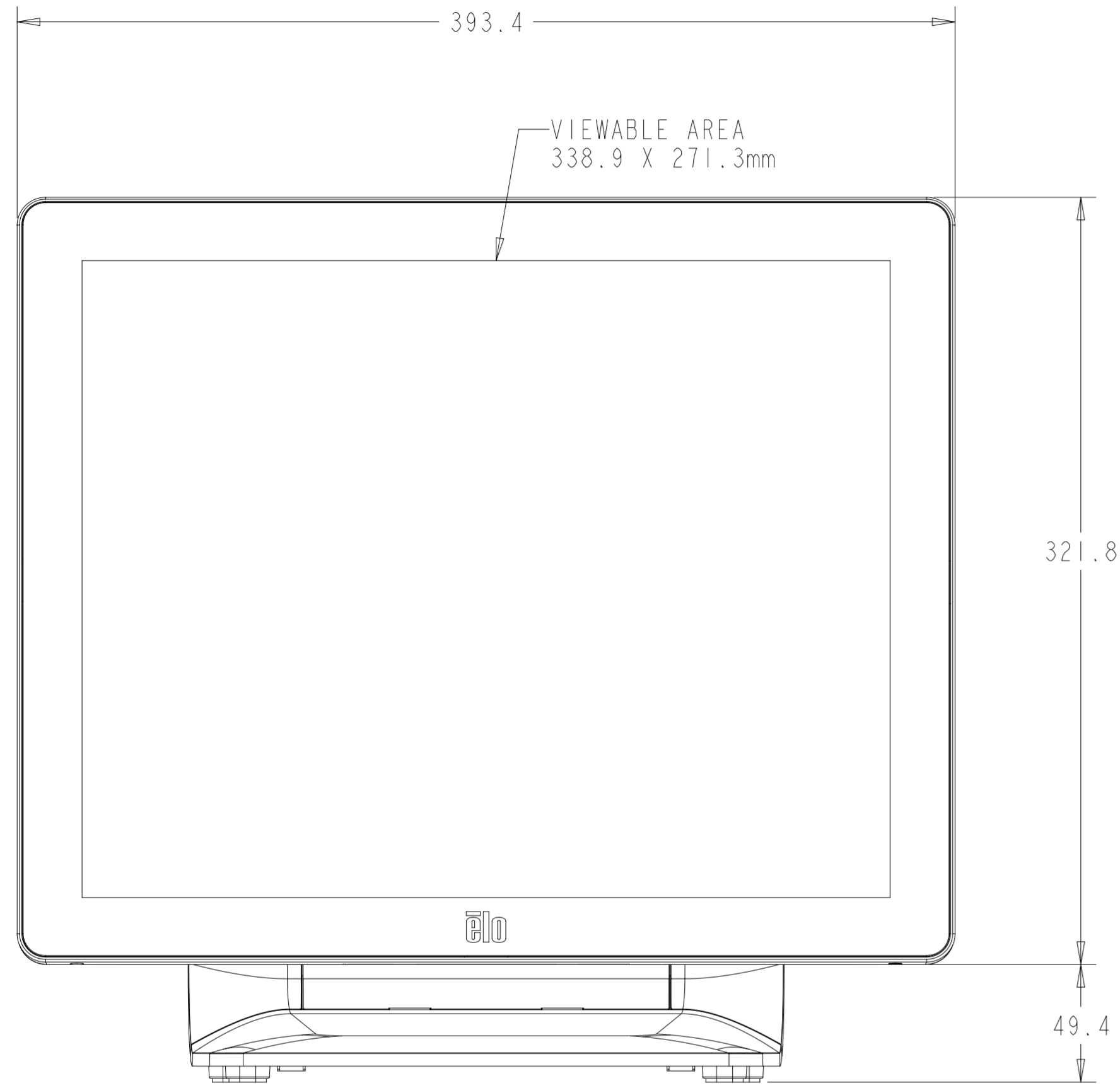


15" (16:9) / 15" (4:3)
WITH REAR-FACING DISPLAY MOUNT

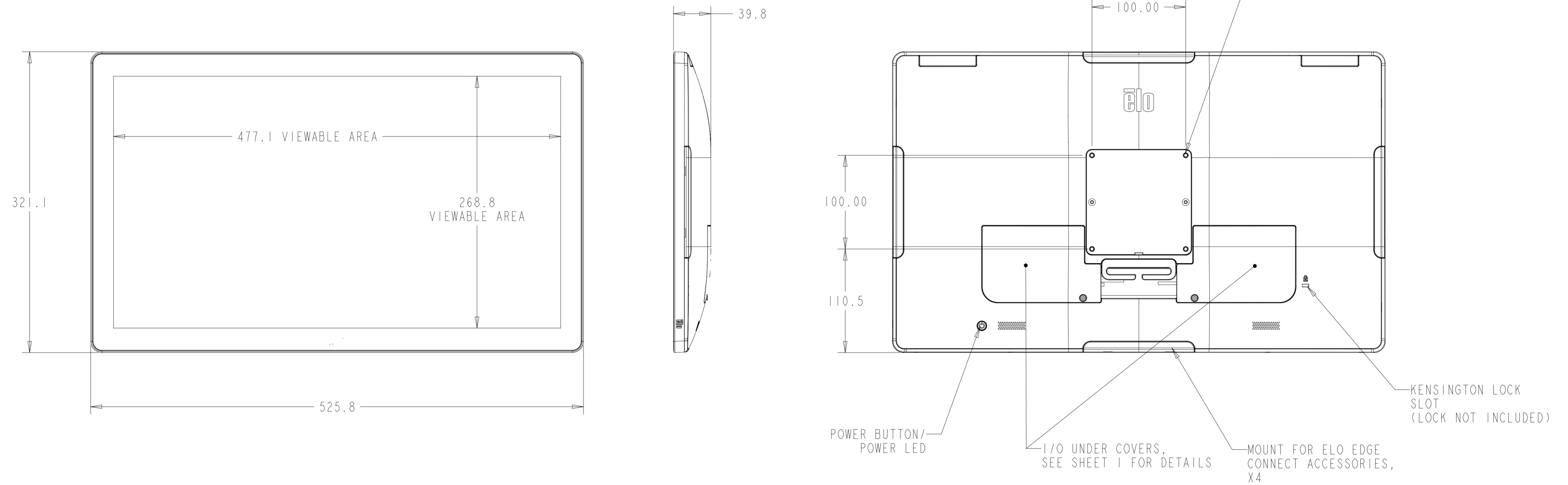
CFD REAR COVER
(INCLUDED WITH STAND MODELS)
75mm X 75mm VESA



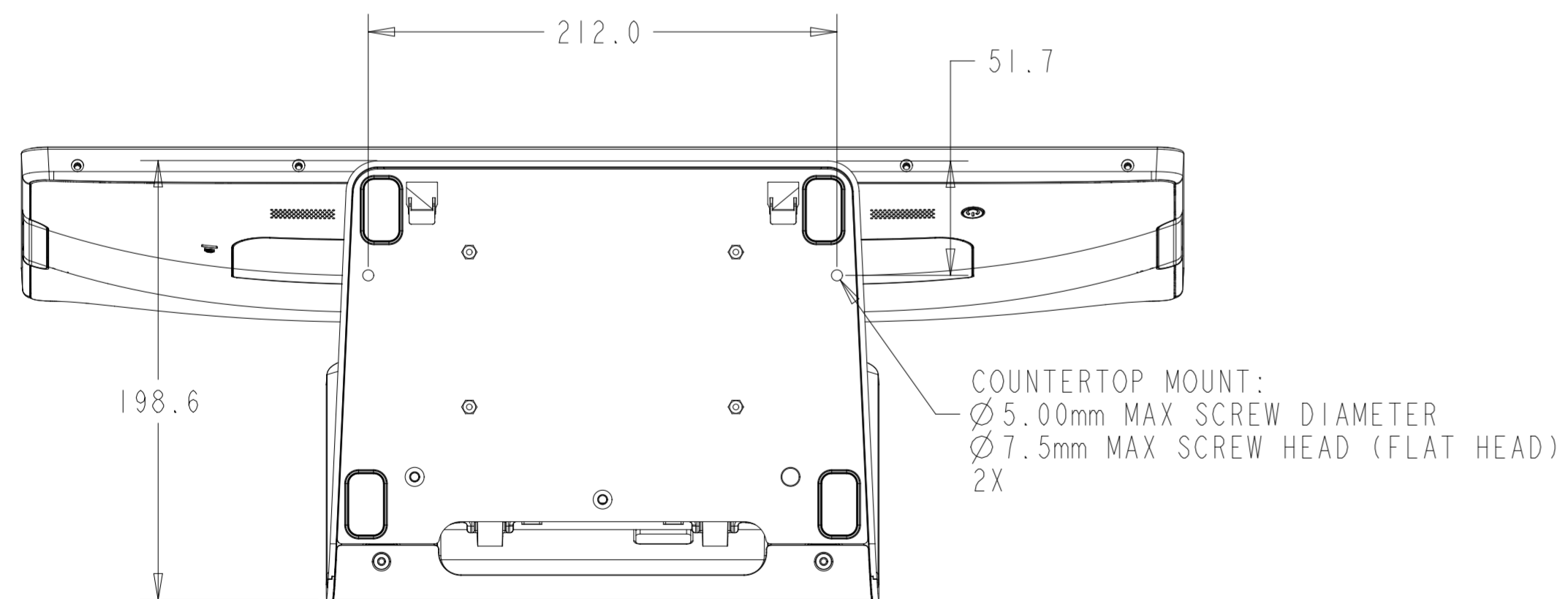
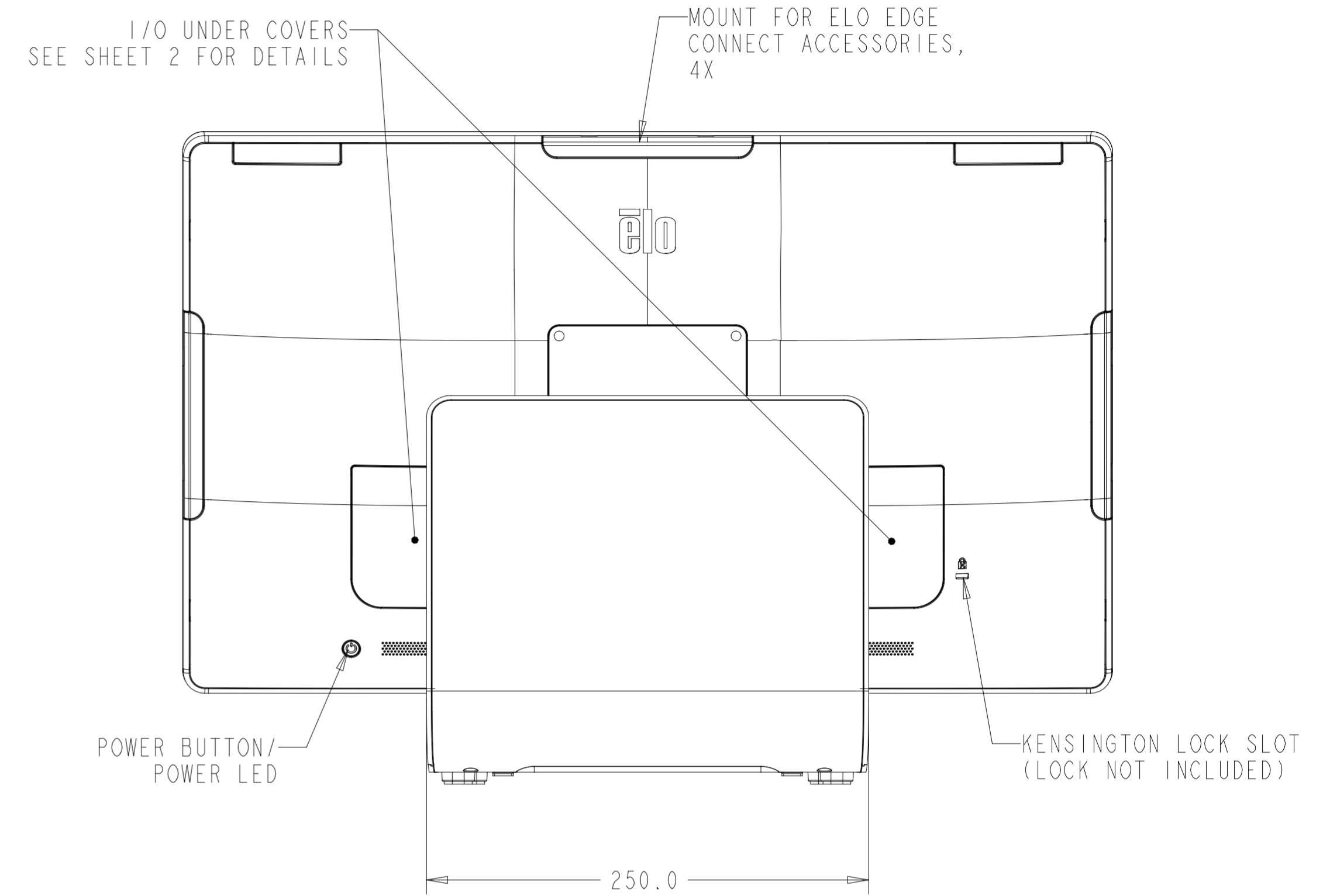
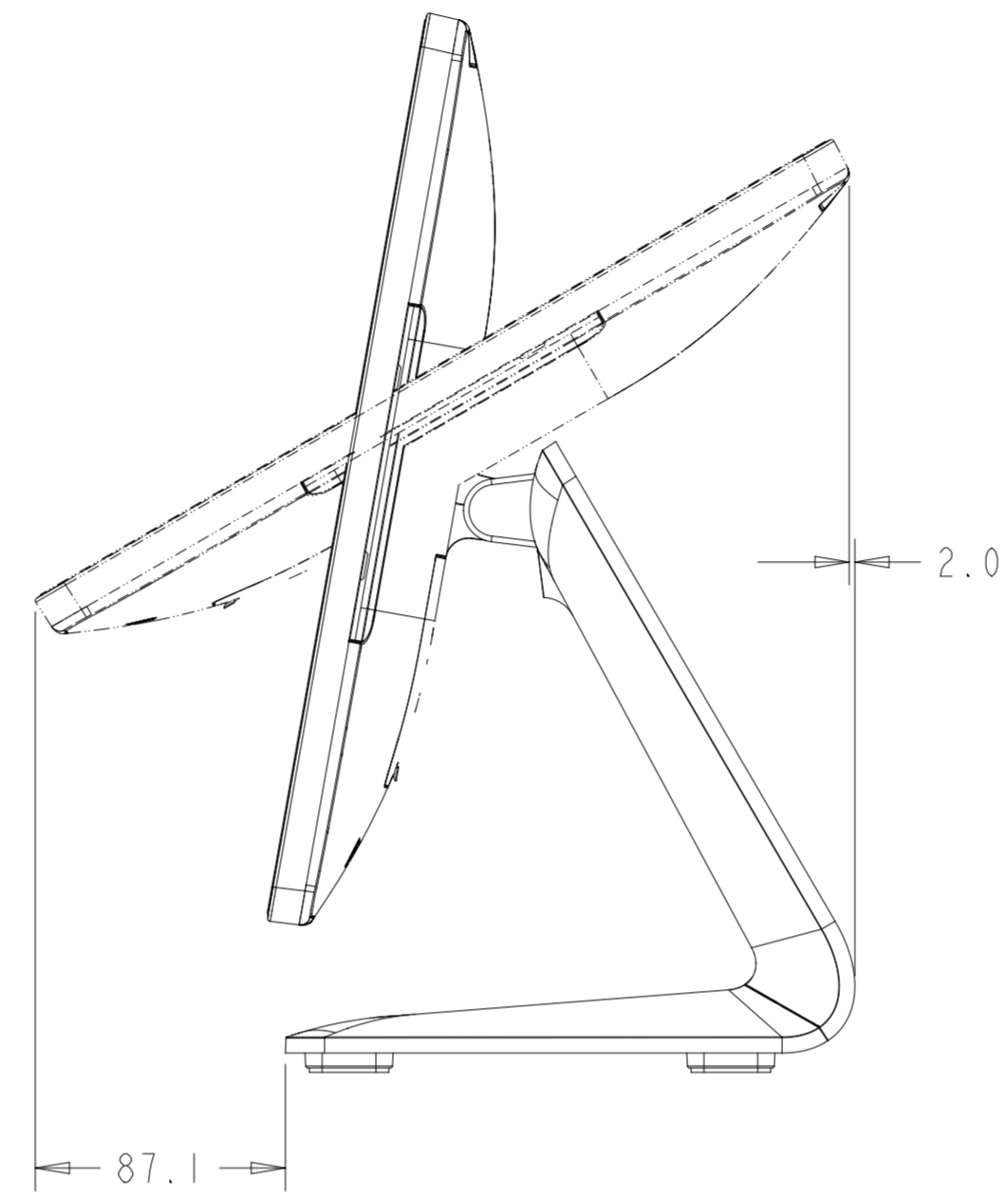
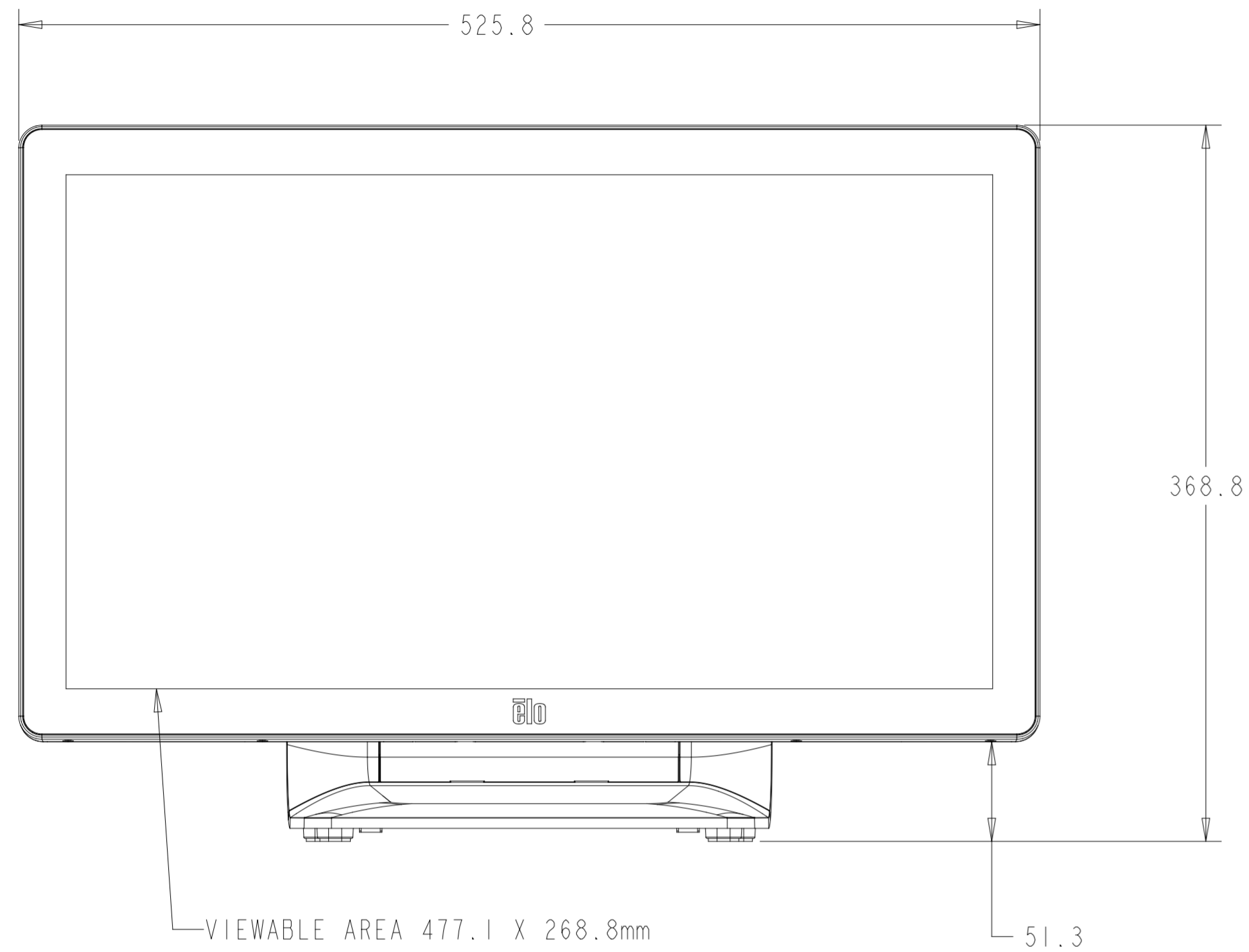
17" (4:3) WITH STAND
SEE SHEET 8 FOR CUSTOMER-FACING DISPLAY MOUNTING



22" NO STAND



22" WITH STAND



17"/22" WITH REAR-FACING DISPLAY MOUNT

CFD REAR COVER
(INCLUDED WITH STAND MODELS)
75mm X 75mm VESA

