

Technical Accessory Guides (TAGs)

For Associates, Resellers, ISVs and Alliance Partners

Global



Version: Active-Only

Will only show products that are known to be available for sale

Need to provide an update or change?
Contact <mailto:pgw786@zebra.com>



For Internal Use by
PartnerConnect Members Only



FX7400/FX7500 Technical Accessory Guide




Note: FX7400 discontinued 6/2014


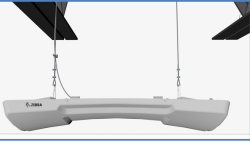
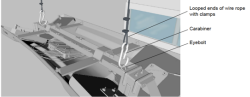
NOTE: This document is only for general reference. Solutions Pathway and related PMBs should be used for product availability, pricing, and final solution selection.

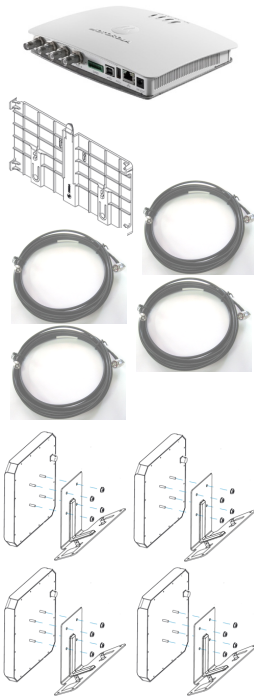

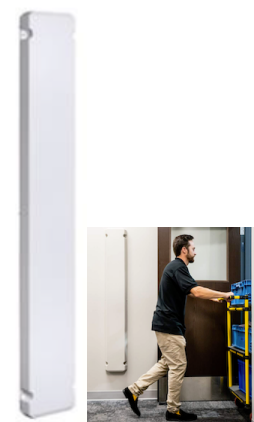
* Zebra does not endorse or specifically recommend any **third-party products, accessories, or hardware**. ZEBRA DISCLAIMS ANY AND ALL LIABILITY, INCLUDING ANY EXPRESS OR IMPLIED WARRANTIES, WHETHER ORAL OR WRITTEN, FOR SUCH THIRD PARTY PRODUCTS, ACCESSORIES, OR HARDWARE. THE CUSTOMER ACKNOWLEDGES THAT NO REPRESENTATION HAS BEEN MADE BY ZEBRA AS TO THE FITNESS OF THE THIRD-PARTY PRODUCTS, ACCESSORIES, OR HARDWARE FOR THE CUSTOMER'S INTENDED PURPOSE.


Communication Cables

| Part Number | Picture | Description | Notes | Required Items |
|--------------|---|-------------|-------|----------------|
| 25-64396-01R |  | USB Cable | | |


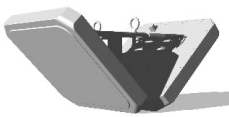
Integrated Portals and Transition Readers

| Part Number | Picture | Description | Notes | Required Items |
|---|--|---|---|--|
| ST5500-SR01000SSNA (US frequency) ST5500-SR01000SSEU (European-ETSI frequency) |    | Overhead/Ceiling Mount All-in-One Transition Reader | <ul style="list-style-type: none"> ▶ All-in-one transition point fixed reader combines an FX7500 fixed reader with four antennas in a single package, allowing customers to track inventory and assets as it moves through entry/exit points across the enterprise. ▶ Includes FX7500, four optimally angled integrated antennas (with cables) and two carabiners (for hanging portal) in one package. ▶ Antennas are left hand circular polarized, gain-max 9 dBic, gain linear max 6 dBil. ▶ Suspend from the ceiling for fast and easy installation in any environment. ▶ Supports Power-Over-Ethernet (PoE) ▶ Dimensions: 47.0 in. x 22.0 in. x 9.0 in. / 1194 mm x 559 mm x 229 mm ▶ Weight: 23 lbs. / 10.4 kg ▶ Requires non-Zebra provided software to determine which direction an item is traveling. Does not include any analytical/directionality software. | Power Supply and AC Line Cord OR Use Power Over Ethernet (PoE) |




| | | | | |
|--|---|--|---|---|
| <p>ST5501-SR01000SSNA (US frequency)</p> <p>ST5501-SR01000SSEU (European-ETSI frequency)</p> |  | <p>Indoor Wall Mount Transition Reader Kit</p> | <p>► Transition point fixed reader kit designed for use in indoor environments - combines an FX7500 fixed reader with four antennas, allowing customers to track inventory and assets as it moves through entry/exit points across the enterprise.</p> <p>► Kit includes:</p> <ul style="list-style-type: none"> - FX7500 reader (including bracket for mounting FX7500 to wall) - four antennas (white color) - four optimally angled antenna brackets (white color) - four 7 ft. / ~2 m. antenna cables <p>► Antennas are left hand circular polarized, gain-max 9 dBic, gain linear max 6 dBil.</p> <p>► Install on a wall for fast and easy installation in any indoor environment.</p> <p>► Supports Power-Over-Ethernet (PoE)</p> <p>► Requires non-Zebra provided software to determine which direction an item is traveling . Does not include any analytical/directionality software.</p> | <p>Power Supply and AC Line Cord OR Use Power Over Ethernet (PoE)</p> |
| <p>MWRP-D121-A-00AA</p> |  | <p>Wall Mount RFID Portal (with integrated FX7500)</p> | <p>► Transition point fixed reader kit designed for use in indoor environments - combines an FX7500 fixed reader with two antennas, allowing customers to track inventory and assets as it moves through entry/exit points across the enterprise.</p> <p>► Kit includes:</p> <ul style="list-style-type: none"> - Single Enclosure with two embedded 3 ft. wave® Antenna Elements and integrated FX7500 - Four (4) MultiSurface Wall Anchors - 15 ft. CAT 5E Ethernet patch cable <p>► Supports Power-Over-Ethernet (PoE)</p> | <p>► Typically paired with Wall Mount RFID Portal (No Reader) (MWRP-D100-A-00AA) to cover both sides of the entry/exit point.</p> <p>► Will also require two antenna cables to connect the two portals.</p> |
| <p>MWRP-D100-A-00AA</p> |  | <p>Wall Mount RFID Portal (No Reader)</p> | <p>► Includes:</p> <ul style="list-style-type: none"> - Single Enclosure with two embedded 3 ft. wave® Antenna Elements - Four (4) MultiSurface Wall Anchors - 15 ft. CAT 5E Ethernet patch cable | |




| | | | | |
|--|---|--|---|--|
| <p>SLS RFID Portals (3rd party) *</p> <p>https://slsrfid.com/hardware/</p> |  | <p>Smart Label Solutions (SLS) RFID Portals</p>  | <p>► Portals are typically installed at dock doors.</p> | |
| <p>SLS RFID Tunnels (3rd party) *</p> <p>https://slsrfid.com/hardware/</p> |  | <p>Smart Label Solutions (SLS) RFID Tunnels</p>  | <p>► Tunnels are typically installed on conveyor lines/</p> | |

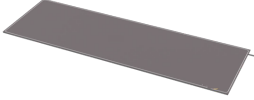


Antennas

| Part Number | Picture | Description | Notes | Required Items |
|--|---|--|---|----------------|
| <p>SR5502-SR01000SSNA (US frequency)</p> <p>SR5502-SR01000SSEU (European-ETSI frequency)</p> |  | <p>Overhead/Ceiling Mount Star Antenna kit - dual antennas</p>  | <p>► Designed to optimize tag reads as they move from aisle to aisle, room to room.</p> <p>► Antennas are designed to be overhead/ceiling mounted.</p> <p>► Includes two optimally angled antennas, two carabiners (for hanging antennas) and two 17 ft. / ~5 m. cables for connection to FX reader.</p> <p>► Antennas are left hand circular polarized., gain-max 9 dBic, gain linear max 6 dBil</p> <p>► Dimensions: 18.75 in. L x 10.75 in. W x 8.5 in. D (47.6 cm x 27.3 cm x 21.6 cm)</p> <p>► Weight: 8.5 lbs</p> | |






| | | | | |
|--|---|---|---|---|
| <p>SR5500-SR01000SSNA (US frequency)</p> <p>SR5500-SR01000SSEU (European-ETSI frequency)</p> |  | <p>Overhead/Ceiling Mount Star Antenna kit - single antenna</p>  | <ul style="list-style-type: none"> ▶ Designed to optimize tag reads as they move from aisle to aisle, room to room. ▶ Antenna is designed to be overhead/ceiling mounted. ▶ Includes one optimally angled antenna, two carabiners (for hanging antenna) and one 17 ft. / ~5 m. cable for connection to FX reader. ▶ Antenna is left hand circular polarized,, gain-max 9 dBic, gain linear max 6 dBil ▶ Dimensions: 16 in. L x 13.1 in. W x 7.1 in. D (40.6 cm x 33.3 cm x 18 cm) ▶ Weight: 4.8 lbs. | |
| <p>SR5200-SR01000SSNA (US frequency)</p> <p>SR5200-SR01000SSEU (European-ETSI frequency)</p> |  | <p>Wall Mount Star Antenna kit - single antenna</p>  | <ul style="list-style-type: none"> ▶ Designed to optimize tag reads as they move from aisle to aisle, room to room. ▶ Antenna is designed to be wall mounted. ▶ Includes one antenna with mounting bracket and one 17 ft. / ~5 m. cable for connection to FX reader. ▶ Antenna is left hand circular polarized,, gain-max 9 dBic, gain linear max 6 dBil ▶ Dimensions: 16 in. L x 13.25 in. W x 7 in. D (40.6 cm x 33.7 cm x 18 cm) ▶ Weight: 4.6 lbs. | |
| <p>SP5502-SR01000SSNA (US frequency)</p> <p>SP5502-SR01000SSEU (European-ETSI frequency)</p> <p>▶ Discontinued 10/2022, see PMB 10901.</p> |  | <p>Overhead (POS) Antenna kit</p> | <ul style="list-style-type: none"> ▶ Designed to track items through Point of Sale (POS) or other areas. ▶ Antenna is designed to be overhead/ceiling mount suspended. ▶ Includes antenna and 17 ft. cable for connection to FX reader. ▶ Dimensions: 16 in. L x 13 in. W x 7 in. D (40.6 cm x 33 cm x 18 cm) ▶ Weight: 5 lbs. | <p>See Antenna Mounting options section below for mounting antenna:</p> <ul style="list-style-type: none"> - from open ceiling - from drop ceiling - flush mount to ceiling |
| <p>SP5504-SR01000SSNA (US frequency)</p> <p>SP5504-SR01000SSEU (European-ETSI frequency)</p> |  | <p>Localized (POS) Antenna kit</p> | <ul style="list-style-type: none"> ▶ Designed to track items through Point of Sale (POS) or other small footprint areas. ▶ Highly localized RFID antenna solution covers area approximately 2 ft. x 2ft. ▶ Antenna is designed to be overhead/ceiling mount suspended. ▶ Includes antenna, 20 ft. cable for connection to FX reader, and hang wire for suspending antenna. ▶ Antenna is left hand circular polarized gain-max 7.3 dBic, gain linear max 4.9 dBil ▶ Antenna can be suspended from ceiling using included hang wire or optional Mounting Pole (HN-001 187-01 or HN-000537-01) can be used. ▶ Dimensions: 7 in. height x 7.3 in. diameter ▶ Weight: 2.2 lbs. | |

| | | | | |
|--|---|--|---|--|
| <p>AN510-CFCL60001US (US frequency)</p> <p>AN510-CFCL60002EU (European-ETSI frequency)</p> |  | <p>AN510 Ultra-Low Profile Indoor/Outdoor Antenna Kit (Flush Mount)</p> | <ul style="list-style-type: none"> ▶ IP67 rating allows antenna to be used in a wide range of indoor and outdoor environments ▶ Dimensions: 9.8 in. L x 9.8 in. W x 0.55 in. D (250 mm x 250 mm x 14 mm) ▶ Weight: 1.6 lbs. ▶ ~ 8.5 dB gain ▶ 68° vertical and 68° horizontal beam width. ▶ Flush mounting can be accommodated by attaching via screws or bolts through the corner holes in the housing. ▶ Polarization: RHCP ▶ Kit includes AN510 Antenna (AN510-FCL60001US or AN510-FCL60002EU) and IP67 Rated Pigtail Cable (CBLRD-7B8020140R) | <p>One RF Antenna Cable (CBLRD-1B400...) OR N Female to Reverse-Polarity TNC Male Adapter for connecting directly to FX reader</p> |
| <p>AN510-CSCL60003US (US frequency)</p> <p>AN510-CSCL60004EU (European-ETSI frequency)</p> |  | <p>AN510 Ultra-Low Profile Indoor/Outdoor Antenna Kit (VESA/Studded Mount)</p> | <ul style="list-style-type: none"> ▶ IP67 rating allows antenna to be used in a wide range of indoor and outdoor environments ▶ Dimensions: 9.8 in. L x 9.8 in. W x 0.55 in. D (250 mm x 250 mm x 14 mm) ▶ Weight: 1.6 lbs. ▶ ~ 8.5 dB gain ▶ 68° vertical and 68° horizontal beam width. ▶ Includes 4 Studded mounts in 100mm VESA pattern allowing antenna to be mounted using common brackets. ▶ Polarization: RHCP ▶ Kit includes AN510 Antenna (AN510-SCL60003US or AN510-SCL60004EU) and IP67 Rated Pigtail Cable (CBLRD-7B8020140R) | <p>One RF Antenna Cable (CBLRD-1B400...) OR N Female to Reverse-Polarity TNC Male Adapter for connecting directly to FX reader</p> |
| <p>AN520-FCL60010US (US frequency)</p> <p>AN520-FCL60011EU (European-ETSI frequency)</p> |  | <p>AN520 Ultra-Rugged Low Profile Indoor/Outdoor Antenna</p> | <ul style="list-style-type: none"> ▶ IP68 rating allows antenna to be used in a wide range of indoor and outdoor environments ▶ Dimensions: 5.9 in. L x 5.9 in. W x 0.55 in. D (150 mm x 150 mm x 14 mm) ▶ Weight: .55 lbs. ▶ ~ 5.5 dB gain ▶ 115° vertical and 115° horizontal beam width. ▶ Flush mounting can be accommodated by attaching via screws or bolts through the corner holes in the housing. ▶ Polarization: RHCP | <ul style="list-style-type: none"> ▶ IP67 Rated Pigtail Cable (CBLRD-7B8020140R) ▶ One RF Antenna Cable (CBLRD-1B400...) OR ▶ White 30 ft. Antenna Cable (CBL-SP5506-PW56) |


| | | | | |
|--|---|--|---|--|
| <p>AN610-SCL71129US (US frequency)</p> <p>AN610-SCL71128EU (European-ETSI frequency)</p> |  | <p>AN610 Slim General Purpose Indoor Antenna</p> | <ul style="list-style-type: none"> ▶ Designed for carpeted space and customer-facing environments (i.e. under POS counter) ▶ Dimensions: 10.8 in. L x 8.5 in. W x 0.3 in. D ▶ Weight: 1.1 lbs. ▶ ~ 3 dB gain ▶ 60° vertical and 80° horizontal beam width. ▶ Has integrated mounting holes within ABS plastic frame and includes 1 ft pigtail cable ▶ Uses Zebra's standard antenna cables ▶ Polarization: LHCP ▶ Rev C version of antenna (top picture) has a thinner profile by removing the gray border/frame that surrounds the antenna on Rev A and B versions (bottom picture) - see PMB 3121. | <p>One RF Antenna Cable (CBLRD-1B400...) OR N Female to Reverse-Polarity TNC Male Adapter for connecting directly to FX reader</p> |
| <p>SP5505-SR00000SSNA (US frequency)</p> <p>SP5505-SR00000SSEU (European-ETSI frequency)</p> |  | <p>AN610 Slim General Purpose Indoor Antenna Under Counter KIT</p> | <ul style="list-style-type: none"> ▶ Kit allows AN610 to be mounted under counter. Typically used in retail environments with SmartLens solution. ▶ ~ 3 dB gain ▶ 60° vertical and 80° horizontal beam width. ▶ Kit includes: <ul style="list-style-type: none"> - AN610 antenna (AN610-SCL71129US or AN610-SCL71128EU) - 20 ft. white antenna extension cable - Under counter mounting tray - Screws for mounting tray - self stick clips for routing antenna cable to FX reader. | |
| <p>AN620-SCL71131US (US frequency)</p> <p>AN620-SCL71130EU (European-ETSI frequency)</p> |  | <p>AN620 Slim General Purpose Indoor Antenna</p> | <ul style="list-style-type: none"> ▶ Designed for carpeted space and customer-facing environments (i.e. under POS counter) ▶ Dimensions: 15.4 in. L x 10.8 in. W x 0.47 in. D ▶ Weight: 2.2 lbs. ▶ ~ 3 dB gain ▶ 48° vertical and 75° horizontal beam width. ▶ Has integrated mounting holes within ABS plastic frame and includes 1 ft pigtail cable ▶ Uses Zebra's standard antenna cables ▶ Polarization: LHCP | <p>One RF Antenna Cable (CBLRD-1B400...) OR N Female to Reverse-Polarity TNC Male Adapter for connecting directly to FX reader</p> |

| | | | | |
|---|---|--|--|---|
| <p>AN650-FCL71325US (US frequency)</p> <p>AN650-FCL71324EU (European-ETSI frequency)</p> |  | <p>AN650 Ultra-Low Profile Ground/Mat Antenna</p> | <ul style="list-style-type: none"> ▶ Antenna is optimized for RFID deployments involving moving products, assets and people. Antenna is ideal for applications where traditional side antennas are unsuitable or not optimized for the application. ▶ At just 8 mm / 0.3 in. thick, the durable, high performance AN650 is uniquely capable of lying flat on the ground within a doorway sized footprint and can withstand payloads of over 200 kg (440 lbs) making it ideal for use cases such as conference/trade show attendee tracking, employee/people tracking, loyalty marketing, and race timing. ▶ Dimensions: 915 mm x 305 mm x 8 mm (36 in x 12 in x .3 in) ▶ Weight: 4.4 lbs. ▶ ~ 9 dB gain ▶ beam width 20° in XZ, 80° in YZ beam width ▶ Polarization: Circular | <ul style="list-style-type: none"> ▶ IP67 Rated Pigtail Cable (CBLRD-7B8020140R) ▶ One RF Antenna Cable (CBLRD-1B400...) <p>OR</p> <ul style="list-style-type: none"> ▶ White 30 ft. Antenna Cable (CBL-SP5506-PW56) |
| <p>AN720-L51NF00WUS (US frequency)</p> <p>-</p> <p>AN720-L51NF00WEU (European-ETSI frequency)</p> |  | <p>AN720 Compact Rugged Indoor-Outdoor Antenna</p> | <ul style="list-style-type: none"> ▶ Designed to withstand exposure to rain, snow and extreme temperature - ideal for the receiving dock doors or outdoor shopping areas ▶ Dimensions: 5.2 in. L x 5.2 in. W x 0.7 in. D ▶ Weight: 0.8 lbs. ▶ IP67 rated ▶ ~ 3 dB gain ▶ 100° beam width - for even wider coverage ▶ Comes complete with an articulating mount ▶ Uses Zebra's standard antenna cables ▶ Polarization: LHCP | <p>One RF Antenna Cable (CBLRD-1B400...)</p> |
| <p>AN480-CL66100WR (Left circular polarization)</p> <p>-</p> <p>AN480-CR66100WR (Right circular polarization)</p> |  | <p>AN480 High-Performance Worldwide Indoor Antenna</p> | <ul style="list-style-type: none"> ▶ This single port indoor antenna offers the maximum flexibility and performance required to meet the needs of enterprises around the world. ▶ Dimensions: 10.2 in. L x 10.2 in. W x 1.98 in. D ▶ Weight: 3 lbs. ▶ Polarization: LHCP or RHCP | <p>One RF Antenna Cable (CBLRD-1B400...)</p> <p>OR</p> <p>N Female to Reverse-Polarity TNC Male Adapter for connecting directly to FX reader</p> |





| KT-AN480-240B1 |  | AN480 High-Performance Worldwide Indoor Antenna KIT | <ul style="list-style-type: none"> ▶ This single port indoor antenna offers the maximum flexibility and performance required to meet the needs of enterprises around the world. ▶ Dimensions: 10.2 in. L x 10.2 in. W x 1.98 in. D ▶ Weight: 3 lbs. ▶ Polarization: Left circular polarization (LHCP). Kit includes: <ul style="list-style-type: none"> - AN480 Antenna (AN480-CL66100WR) - 240" Antenna Cable (CBLRD-1B4002400R) - Standard RFID Antenna Mounting Kit (BRKT-70661-01R) | |
|---|---|---|--|--|
| AN440-CPDFQ915WR |  | AN440 High Performance Area Antenna | <ul style="list-style-type: none"> ▶ Dimensions: 28.3 in. L x 12.5 in. W x 1.5 in. D ▶ Weight: 8 lbs. ▶ Polarization: Two circular polarized patch array | Two RF Antenna Cables (CBLRD-1B400...) |
| Antenna Cabling | | | | |
| Part Number | Picture | Description | Notes | Required Items |
| (3rd party) * |  | N Female to Reverse-Polarity TNC Male Adapter | <ul style="list-style-type: none"> ▶ Allows antennas with pigtail cable to be directly connected to FX reader ▶ Allows for compact installations where the reader and antenna will be mounted close to each other (i.e. under counter installations) | |
| http://www.amazon.com/gp/product/B00IE7PAEW?keywords=reverse%20tnc%20end%20connector&qid=1445460516&ref=sr_1_1&sr=8-1 | | | | |
| CBLRD-7B8020140R |  | IP67 Rated RF Pigtail Antenna Cable | <ul style="list-style-type: none"> ▶ This cable normally connects AN510, AN520 or AN650 antennas to standard Zebra RFID antenna cables. ▶ Normally included with each AN510 antenna Kit. ▶ Cable is IP67 rated. ▶ Cable length is approx 14 in. | |





| | | | | |
|------------------|---|---|--|--|
| CBLRD-1B4000680R |  | RF Antenna Cable (68"/~5.5 ft. long) | <ul style="list-style-type: none"> ▶ Cable connects RFID antenna to reader. ▶ Type LMR240 cable | |
| CBLRD-1B4001800R |  | RF Antenna Cable (180"/15 ft. long) | <ul style="list-style-type: none"> ▶ Cable connects RFID antenna to reader. ▶ Type LMR240 cable | |
| CBLRD-1B4002400R |  | RF Antenna Cable (240"/20 ft. long) | <ul style="list-style-type: none"> ▶ Cable connects RFID antenna to reader. ▶ Type LMR240 cable | |
| CBLRD-1B4003600R |  | RF Antenna Cable (360"/30 ft. long) | <ul style="list-style-type: none"> ▶ Cable connects RFID antenna to reader. ▶ Type LMR240 cable | |
| CBL-SP5506-PW56 |  | RF Antenna Cable, White (360"/30 ft. long) | <ul style="list-style-type: none"> ▶ Cable typically used to connect AN520 or AN650 RFID antennas to reader. ▶ Type RG58 cable, SMA Male to Rev. TNC ▶ Can also be used with AN510 antennas. Not compatible with other RFID antennas. | |





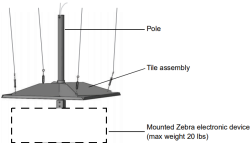
Antenna Mounting options


| Part Number | Picture | Description | Notes | Required Items |
|----------------|---|------------------------------------|-------|----------------|
| BRKT-70661-01R |  | Standard RFID Antenna Mounting Kit | | |

| | | | | |
|--------------------|---|---|---|---|
| BRKT-70662-01R |  | Heavy Duty RFID Antenna Mounting Kit | ▶ Has 16" extension arm | |
| SK5503-SR0000SSWW |  | Articulating RFID Antenna Mount - AN520 or ST5501  | ▶ Typically used to mount AN520 or ST5501 antennas at various orientations. ▶ Mount uses VESA 75 x 75mm and VESA 100 x 100mm hole patterns. ▶ Includes screws for attaching AN520 or ST5501 to mount. Also requires additional hardware. | ▶ If attaching AN520 antennas: - Nuts for Articulating RFID Antenna Mount (SK5503-SR00001SSWW) ▶ If attaching ST5501 antennas: - Adapter Plate for Articulating RFID Antenna Mount (ST5501) (BRKT-AN-0000R-00) - Hardware for Articulating RFID Antenna Mount (ST5501) (SK5503-SR00002SSWW) |
| SK5503-SR00001SSWW |  | Nuts for Articulating RFID Antenna Mount (AN520) | ▶ Used to secure AN520 antennas to Articulating RFID Antenna Mount (SK5503-SR00000SSWW) ▶ Includes 4 M4 Hex Flange nuts | |
| SK5503-SR00002SSWW |  | Hardware for Articulating RFID Antenna Mount (ST5501) | ▶ Used to secure one ST5501 antenna to Adapter Plate (BRKT-AN-0000R-00) when attaching to Articulating RFID Antenna Mount (SK5503-SR00000SSWW) ▶ Includes 4 1/4 20 Hex Flange nuts and 4 spacers | |
| BRKT-AN-0000R-00 |  | Adapter Plate for Articulating RFID Antenna Mount (ST5501)  | ▶ Used to attach one ST5501 antenna to Articulating RFID Antenna Mount (SK5503-SR00000SSWW). ▶ Plate attaches to threaded studs on ST5501 antenna and provides 100 x 100 VESA hole pattern used by Articulating Mount. ▶ Screws included with Articulating Mount (SK5503-SR00000SSWW) attach to standoffs in the adapter plate. | |


| | | | | |
|--------------|--|--|--|--|
| BR-000237-01 |  | <p>Telescopic Adjustable Ceiling Mounting Pole, White (18" to 32")</p>  | <ul style="list-style-type: none"> ▶ Pole mounts Overhead POS Antenna (SP5502) to open ceilings - to ceiling channel, strut or truss with one bolt. ▶ Pole is adjustable from 18" to 32" (1' 6" to 2' 8") from ceiling. ▶ Adjustable Tilt and Swivel ▶ Includes safety cable. ▶ Includes Leveling Plate for accomodating uneven ceilings ▶ Includes VESA 75 & 100 mounting plate, although it is typically not used when mounting the SP5502. The antenna is typically attached directly to the pole. ▶ Supports weights up to 35 lb. | |
| BR-000238-01 |  | <p>Telescopic Adjustable Ceiling Mounting Pole, Black (18" to 32")</p>  | <ul style="list-style-type: none"> ▶ Pole mounts Overhead POS Antenna (SP5502) to open ceilings - to ceiling channel, strut or truss with one bolt. ▶ Pole is adjustable from 18" to 32" (1' 6" to 2' 8") from ceiling. ▶ Adjustable Tilt and Swivel ▶ Includes safety cable. ▶ Includes Leveling Plate for accomodating uneven ceilings ▶ Includes VESA 75 & 100 mounting plate, although it is typically not used when mounting the SP5502. The antenna is typically attached directly to the pole. ▶ Supports weights up to 35 lb. | |

| | | | | |
|---------------------|--|--|---|--|
| <p>BR-000237-02</p> |  | <p>Telescopic Adjustable Ceiling Mounting Pole, White (36" to 66")</p>  | <ul style="list-style-type: none"> ▶ Pole mounts Overhead POS Antenna (SP5502) to open ceilings - to ceiling channel, strut or truss with one bolt. ▶ Pole is adjustable from 36" to 66" (3' to 5' 6") from ceiling. ▶ Adjustable Tilt and Swivel ▶ Includes safety cable. ▶ Includes Leveling Plate for accomodating uneven ceilings ▶ Includes VESA 75 & 100 mounting plate, although it is typically not used when mounting the SP5502. The antenna is typically attached directly to the pole. ▶ Supports weights up to 35 lb. | |
| <p>BR-000238-02</p> |  | <p>Telescopic Adjustable Ceiling Mounting Pole, Black (36" to 66")</p>  | <ul style="list-style-type: none"> ▶ Pole mounts Overhead POS Antenna (SP5502) to open ceilings - to ceiling channel, strut or truss with one bolt. ▶ Pole is adjustable from 36" to 66" (3' to 5' 6") from ceiling. ▶ Adjustable Tilt and Swivel ▶ Includes safety cable. ▶ Includes Leveling Plate for accomodating uneven ceilings ▶ Includes VESA 75 & 100 mounting plate, although it is typically not used when mounting the SP5502. The antenna is typically attached directly to the pole. ▶ Supports weights up to 35 lb. | |

| | | | | |
|-------------------|---|---|--|---|
| BR-000237-03 |  | <p>Telescopic Adjustable Ceiling Mounting Pole, White (72" to 138")</p>  | <ul style="list-style-type: none"> ▶ Pole mounts Overhead POS Antenna (SP5502) to open ceilings - to ceiling channel, strut or truss with one bolt. ▶ Pole is adjustable from 72" to 138" (6 to 11' 6") from ceiling. ▶ Adjustable Tilt and Swivel ▶ Includes safety cable. ▶ Includes Leveling Plate for accomodating uneven ceilings ▶ Includes VESA 75 & 100 mounting plate, although it is typically not used when mounting the SP5502. The antenna is typically attached directly to the pole. ▶ Supports weights up to 35 lb. | |
| BR-000238-03 |  | <p>Telescopic Adjustable Ceiling Mounting Pole, Black (72" to 138")</p>  | <ul style="list-style-type: none"> ▶ Pole mounts Overhead POS Antenna (SP5502) to open ceilings - to ceiling channel, strut or truss with one bolt. ▶ Pole is adjustable from 72" to 138" (6 to 11' 6") from ceiling. ▶ Adjustable Tilt and Swivel ▶ Includes safety cable. ▶ Includes Leveling Plate for accomodating uneven ceilings ▶ Includes VESA 75 & 100 mounting plate, although it is typically not used when mounting the SP5502. The antenna is typically attached directly to the pole. ▶ Supports weights up to 35 lb. | |
| SK5501-SR1000SSWW |  | <p>Mounting Kit for Drop Ceilings</p> | <ul style="list-style-type: none"> ▶ Allows Overhead POS Antenna (SP5502) to be hung from drop ceilings. ▶ Kit includes the following: <ul style="list-style-type: none"> - 2 ft x 2 ft metal tile (1) - Spool of galvanized wire (1) - Safety clips (2) - Turnbuckles (4) - 1-11/16" ID collar (1) - #10-24 x 2-3/4" pan head screw (1) - #10 flat washers (6) - #10-24 locknut (1) - Plastic shims (2) - Security cable (1) and cable clamp (1) | <p>Mounting Pole for Drop Ceilings (HN-001083-xx)</p> |


| | | | | |
|---------------------------------|---|--------------------------------|--|---|
| HN-001083-01 (1 ft. length) |  | Mounting Pole for Drop Ceiling | ► Used to mount Overhead POS Antenna (SP5502) to drop ceilings | Mounting Kit for Drop Ceilings (SK5501-SR10000SSWW) |
| HN-001083-02 (2 ft. length) | | | | |
| HN-001083-04 (4 ft. length) | | | | |
| HN-001083-06 (6 ft. length) | | | | |
| HN-001083-08 (8 ft. length) | | | | |
| HN-001083-10 (10 ft. length) | | | | |

Wireless Communications Adapters


| Part Number | Picture | Description | Notes | Required Items |
|--------------------------|---|---|--|----------------|
| various (3rd party) * |  | USB WiFi Adapter for FX7500 | ► FX7500 natively supports USB WiFi adapters using certain chipsets. ► Certain adapters have been tested by Zebra - refer to FX series firmware Release Notes for the most current list of tested adapters. | |
| various (3rd party) * |  | USB Bluetooth Adapter for FX7500 | ► FX7500 natively supports certain Bluetooth adapters. ► Certain adapters have been tested by Zebra - refer to FX series firmware Release Notes for the most current list of tested adapters. | |
| RV50X (3rd party) * |  | Sierra Wireless AirLink® RV50X Cellular Modem | ► Allows FX reader to be connected to LTE cellular networks for mobile usage. ► Provides a great way to use the FX's Network Connect for EtherNet/IP (connection to PLCs) feature in a distributed environment. ► Also includes GPS radio to capture location of RFID reads. ► Connects to FX reader via Ethernet port. | |

<https://www.sierrawireless.com/>


GPIO devices

| Part Number | Picture | Description | Notes | Required Items |
|-----------------------------|---|-------------|-------|----------------|
| Q20 series (3rd party) * |  | Photo Eye | | |

<http://www.bannerengineering.com>




| | | | | |
|--|---|--------------------|--|--|
| <p>PREF-301-RYG (3rd party) *</p> <p>http://eng.menics.co.kr/</p> |  | <p>Light Stack</p> | | |
|--|---|--------------------|--|--|

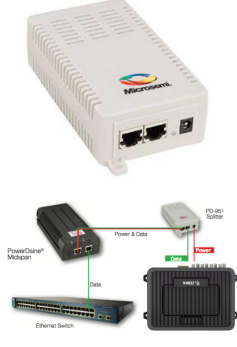


Misc

| Part Number | Picture | Description | Notes | Required Items |
|---|---|-----------------------|-------|----------------|
| <p>(3rd party) * Contact Michael Crudele</p> <p>http://www.arcantenna.com/</p> |  | <p>NEMA Enclosure</p> | | |

Power Cords/Power Supplies

NOTE: FX7500 supports either 24V Power Supply, 802.3af (PoE) or 802.3af (PoE+). PoE/PoE+ will only power the FX7500, not any auxillary GPIO devices (i.e. alarms, light stacks, motion sensors, etc.) attached to it.

| Part Number | Picture | Description | Notes | Required Items |
|--|---|---|--|---|
| <p>PWR-BGA24V78W1WW</p> |  | <p>Power Supply for FX7400/FX7500/FX9500 and FX9600</p> | <ul style="list-style-type: none"> ▶ 24V, 3.25A, 78W ▶ Uses locking connector. Connect to FX reader and rotate clockwise 1/4 turn to lock power cable into reader. ▶ Provides US DOE Level VI compliance for power efficiency. ▶ Has increased operating temperature range vs. PWR-BGA24V78W0WWW - 20C to +55C. This matches the operating temperature spec of the FX9600. PWR-BGA24V78W0WWW is typically used with the FX7400/FX7500. | <ul style="list-style-type: none"> ▶ AC Line Cord (23844-00-00F or country specific version) |
| <p>ZE2435-4932 (3rd party) *</p> <p>https://lindelectronics.com/</p> |  | <p>Vehicle Power Supply for FX7400/FX7500/FX9500 and FX9600 - Cigarette Lighter adapter</p> | <ul style="list-style-type: none"> ▶ Allows FX reader to be powered from a 12V vehicle cigarette lighter adapter. | |
| <p>ZE2435I-4946 (3rd party) *</p> <p>https://lindelectronics.com/</p> |  | <p>Vehicle Power Supply for FX7400/FX7500/FX9500 and FX9600 - bare wire connector</p> | <ul style="list-style-type: none"> ▶ Allows FX reader to be powered from a vehicle. ▶ Isolated adapter is rated for 20-60V input. | |

| | | | | |
|---|---|--------------------------------------|---|---|
| <p>PD-AS-951/12-24 (POE Splitter)</p> <p>(3rd party) *</p> <p>https://www.microsemi.com</p> |  | <p>24V PoE Power Supply solution</p> | <ul style="list-style-type: none"> ▶ Used to power FX unit via Power over Ethernet (PoE) at full 24V power. ▶ PoE will power FX unit AND additional auxiliary devices via the GPIO port (i.e. alarms, light stacks, motion sensors, etc.). ▶ Requires two components: <ol style="list-style-type: none"> 1. Midspan/Power Injector that will provide power on Ethernet switch end. Exact model of Midspan is customer/installation specific. 2. PoE Splitter that will separate data from power on FX unit end and connect to barrel jack power connector and Ethernet port on FX unit. | <p>Will require DC Line cord (barrel jack connector) to connect POE Splitter to FX unit</p> |
| <p>50-16000-221R</p> |  | <p>AC Line Cord</p> | <ul style="list-style-type: none"> ▶ Used to power Direct Connect power supplies (i.e. PWRS-14000-260R). ▶ This AC Line Cord is for use in North America. See the AC Line Cords by Country TAG for comparable line cords to use in other countries. | |
| <p>23844-00-00R</p> |  | <p>AC Line Cord</p> | <ul style="list-style-type: none"> ▶ Used to power Direct Connect power supplies (i.e. PWR-BGA24V78W1WW) and 802.3at Power Injector. ▶ This AC Line Cord is for use in North America. See the AC Line Cords by Country TAG for comparable line cords to use in other countries. | |