

MG41E and MG51E Cellular Dipole Antenna Datasheet

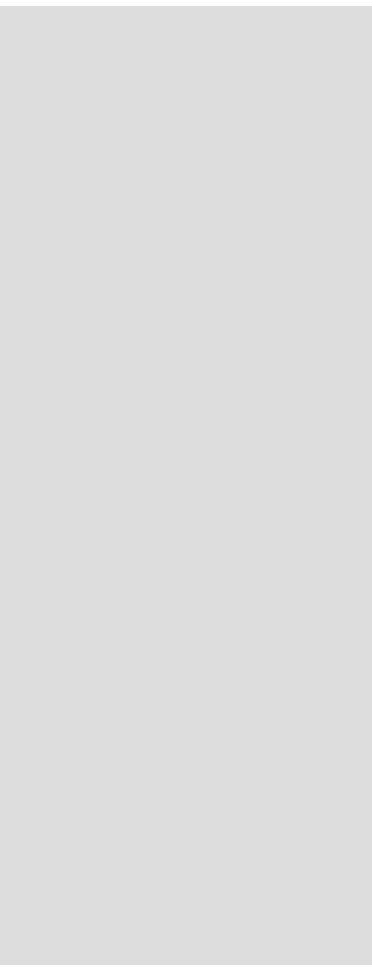
 Note - Do not mix MG21E, MG41 and MG51E dipole antennas

The dipole antennas (MA-ANT-C2-A) are included with the MG41E and MG51E. When in use the dipoles have a spherical coverage in comparison to a patch antenna. The dipole antennas will excel at allowing users to place the MG in areas where a directional patch antenna cannot be mounted. The dipoles are directly attached to the MG41E/MG51E and require no additional mounting hardware.



Specifications

Category	Specifications
Electrical	Antenna Type



Dipole

Frequency Range

- 692 (617 - 692) MHz
- 960 (698 - 960) MHz
- 1515 (1445 - 1515) MHz
- 2700 (1710 - 2700) MHz
- 5000 (3300 - 5000) MHz
- 6000 (5150 - 6000) MHz

Peak Gain (per range)

- 692 @ 0.26dBi
- 960 @ 0.67dBi
- 1515 @ 2.03dBi
- 2700 @ 3.37dBi
- 5000 @ 3.91dBi
- 6000 @ 4.26dBi

Polarization

Linear, vertical



Physical and Environmental

Dimensions

144mm x 26.5mm x 12.3mm

Material of Radiator

PCB

Material of Plastic

PC

Operational Temperature

-40°C to +65°C (-40°F to 149°F)

Storage Temperature

-40°C to +80°C (-40°F to 176°F)

Connector

RP-SMA (female)



Warranty

1 year hardware warranty included

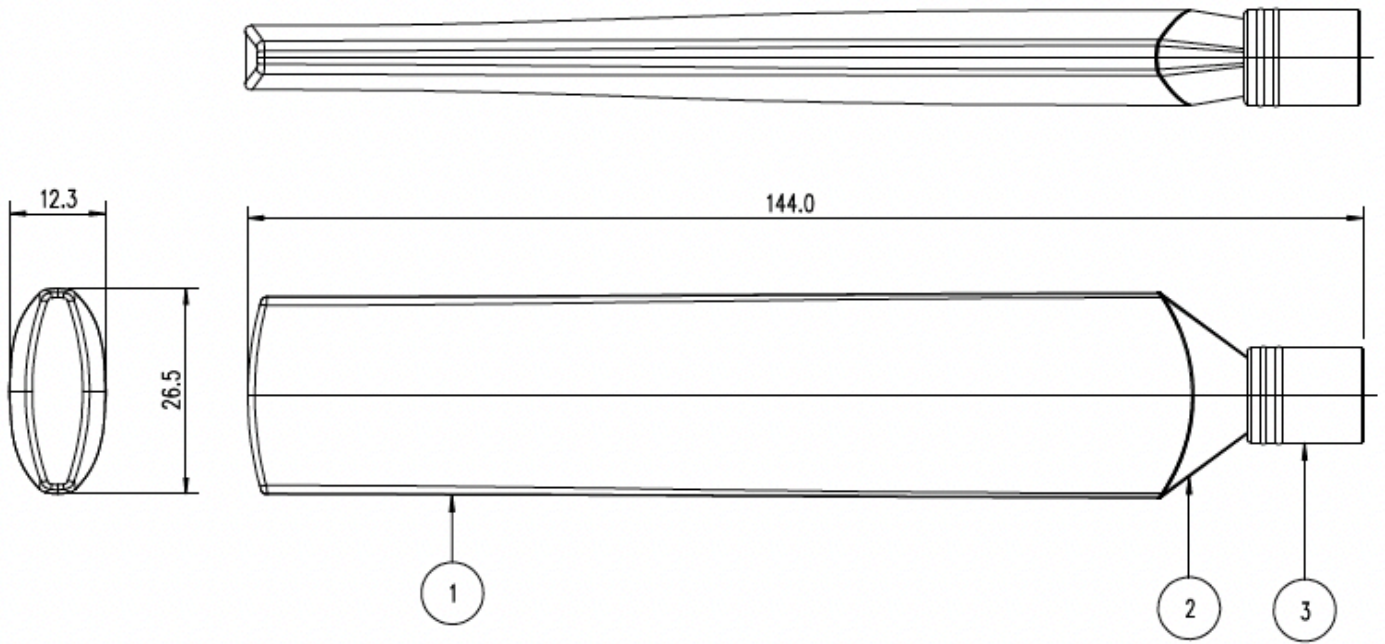
Ordering Information

MA-ANT-C2-A

Regulatory

Certified for use with the MG41E and MG51E

MA-ANT-C2-A



MA-ANT-C2-A

Radiation pattern

