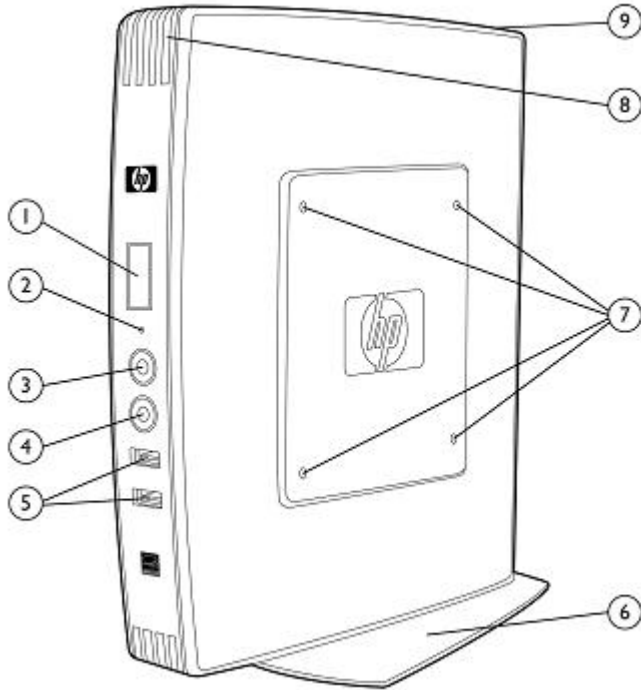
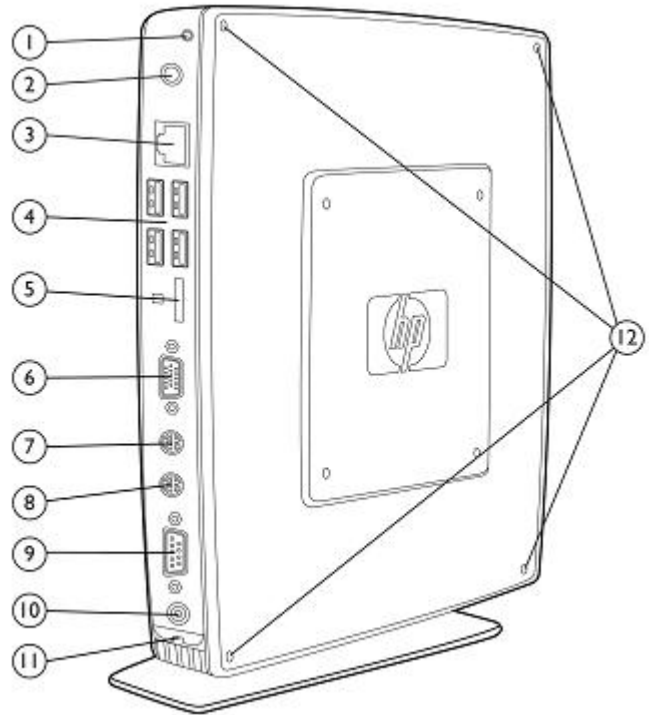


Overview



Front

1. Power button (with integrated power indicator light)
2. Flash drive activity indicator light
3. Audio connector (headphone/speaker out)
4. Audio connector (mic in)
5. USB connectors (two)
6. Removable stand for vertical orientation
7. Mounting points for HP Quick Release or other VESA mount
8. Secure USB compartment cover
9. Cable lock slot (secures unit and secure USB compartment)

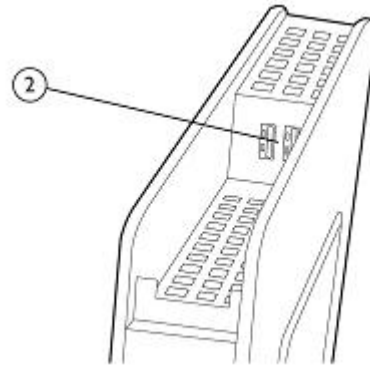
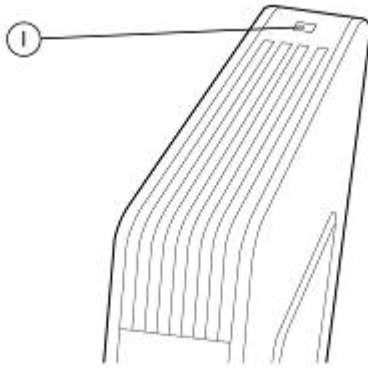


Back

1. Cabling exit from secure USB compartment
2. Wi-Fi antenna connector (depends on model)
3. Ethernet RJ-45 connector
4. USB connectors (four)
5. DisplayPort monitor connector
6. VGA monitor connector
7. PS-2 keyboard connector
8. PS-2 mouse connector
9. Serial connector
10. +19V DC power input
11. Power cable retention slot
12. Mounting location for four (4) horizontal mounting feet

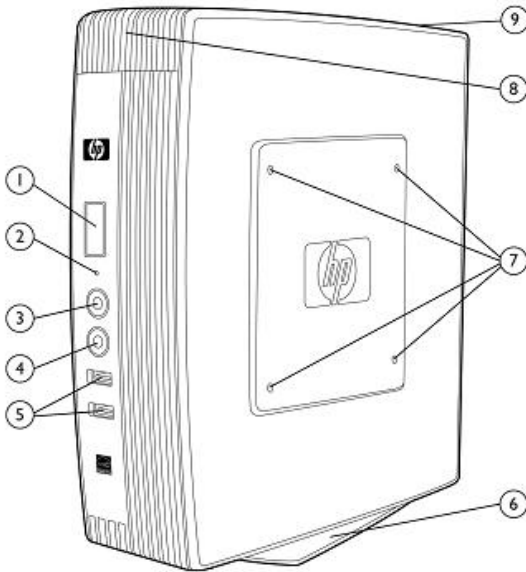
Overview

Top



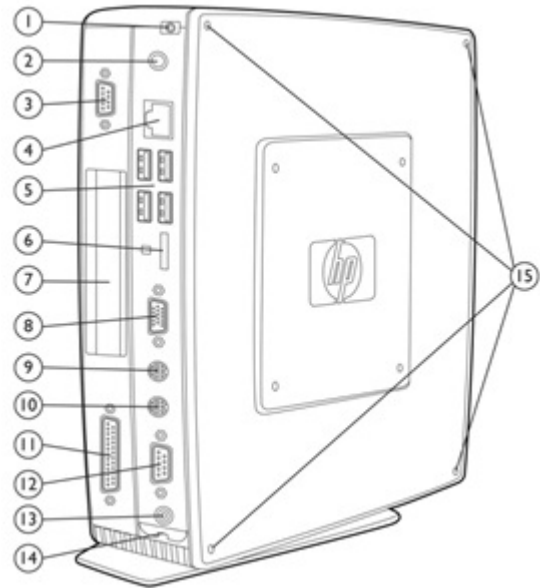
1. Cable lock slot – secures unit and secure USB compartment
2. Secure USB compartment with cover removed – 2 USB connectors

with optional HP t5740/t5745 PCIe x4/PCI Expansion Module Kit



Front

1. Power button (with integrated power indicator light)
2. Flash drive activity indicator light
3. Audio connector (headphone/speaker out)
4. Audio connector (mic in)
5. USB connectors (two)
6. Removable stand for vertical orientation
7. Mounting points for HP Quick Release or other VESA mount
8. Secure USB compartment - 2 USB connectors
9. Cable lock slot (secures unit and secure USB compartment)



Back

1. Cabling exit from secure USB compartment
2. WIFI antenna connection (depends on model)
3. Serial connector
4. Ethernet RJ-45 connector
5. USB 2.0 connectors (four)
6. DisplayPort monitor connector
7. PCIe/PCI slot access
8. VGA monitor connector
9. PS/2 keyboard connector
10. PS/2 mouse connector

Overview

11. Parallel connector
12. Second serial connector
13. +19V DC power input
14. Power cable retention slot
15. Mounting location for four (4) horizontal mounting feet

At A Glance

Hardware features:

- Intel Atom N280* processor, with Intel GL40 chipset (*Intel's numbering is not a measurement of higher performance)
- Up to 4 GB* flash memory provides ample storage for drivers and applications
- 1 or 2 GB DDR3/667MHz system memory (64 MB minimum reserved for graphics memory)
- Available empty DDR3 SO-DIMM slot (and RAM upgrade options) for dual-channel system memory expansion
 - Minimum of 1GB and a maximum of 4GB* (2 x 2GB) can be supported (*Up to 1 GB may not be available with 32-bit operating systems due to system resource requirements.)
- Built in dual monitor support (VGA and DisplayPort native)
- Integrated wireless (802.11 a/b/g/n*) technology (select models) *Wireless access point and Internet required.
- Optional Expansion Module with PCIe x4/PCI slot for installing a wide range of devices (includes a parallel and second serial port)
- Secure USB compartment is ideal for protecting USB wireless and USB Flash devices as well as for protecting USB keyboard and mouse connectors
- Additional SATA II connector for adding optional secondary solid state Flash drive (16 GB available)
- 8 USB 2.0 ports
- Legacy support includes parallel (via Expansion Module), serial, and PS/2 connections

Software features:

- Highly extensible Microsoft® Windows® Embedded Standard 2009 OS with support for local applications including custom applications
- Excellent rich multimedia experience and enhanced USB device support in blade PC and VDI environments
- Enhanced Write Filter and File-Based Write Filter provide complete flexibility to protect the entire Flash disk, or configure areas of the disk for persistent access by local applications
- HP Symantec Endpoint Protection for enhanced data security
- HP TeamTalk Terminal Emulator enables connection and communication with applications on mainframes and midrange systems
- HP Easy Tools including:
 - The HP Easy Update utility that makes it quick and easy to identify and choose the latest image and add-on settings helping get up, running and productive faster than ever before.
 - Exclusive HP ThinState Tools offers in-box, easy-to-use image deployment and recovery tools
 - And more features coming soon
- Enterprise class HP Device Manager, lets you remotely manage devices from a central location
- HP Client Automation for quick and easy deployment of images and thin client management. For more details visit: <http://www.hp.com>.
- HP Universal Print Driver (available as add-on) for a variety of printers
- Improved Quality of Experience for End User using HP Velocity
 - Available only on HP thin clients
 - HP Velocity enables IT managers to monitor network activity and optimize end-user experience
 - HP Velocity intelligently reduces network packet loss and retransmissions providing a better experience for the end user

Warranty:



Overview

- Protected by Hewlett-Packard Services, including a limited three-year mail-in warranty (certain restrictions and exclusions apply)

Standard Features - Models

Models without integrated WIFI adapter

Worldwide: VU899AA	Processor/Chipset	Intel Atom N280* 1.66 GHz/Intel GL40 <i>*Intel's numbering is not a measurement of higher performance.</i>
Americas and EMEA: VU899AT (Smart Buy/Top Value)	Operating System	Microsoft Windows Embedded Standard 2009
	Flash Memory	2 GB
	Memory	1 GB DDR-3 SODIMM NOTE: 64 MB minimum reserved for graphics memory.
	Graphics	Intel GL40 graphics
	Browser	Microsoft Internet Explorer 7
	Client Management Software	HP Device Manager agent HP Client Automation agent HP ThinState for image capture and redeploy
	Keyboard	USB or PS/2 (varies by region)
	Mouse	USB or PS/2 (varies by region)
		<i>* Product complies with U.S. Trade Agreement (TAA). Available in U.S. only.</i>

Worldwide: VU900AA	Processor/Chipset	Intel Atom N280* 1.66 GHz/Intel GL40 <i>*Intel's numbering is not a measurement of higher performance.</i>
Americas and EMEA: VU900AT (Smart Buy/Top Value)	Operating System	Microsoft Windows Embedded Standard 2009
	Flash Memory	2 GB
	Memory	2 GB DDR-3 SODIMM NOTE: 64 MB minimum reserved for graphics memory.
	Graphics	Intel GL40 graphics
	Browser	Microsoft Internet Explorer 7
	Client Management Software	HP Device Manager Agent HP ThinState for image capture and redeploy HP Client Automation agent
	Keyboard	USB or PS/2 (varies by region)
	Mouse	USB or PS/2 (varies by region)

Americas: VU901AA	Processor/Chipset	Intel Atom N280* 1.66 GHz/Intel GL40 <i>*Intel's numbering is not a measurement of higher performance.</i>
	Operating System	Microsoft Windows Embedded Standard 2009
	Flash Memory	4 GB
	Memory	2 GB DDR-3 SODIMM NOTE: 64 MB minimum reserved for graphics memory.
	Graphics	Intel GL40 graphics
	Browser	Microsoft Internet Explorer 7
	Client Management Software	HP Device Manager Agent HP ThinState for image capture and redeploy HP Client Automation agent

Standard Features - Models

Keyboard	USB or PS/2 (varies by region)
Mouse	USB or PS/2 (varies by region)

Models with integrated WIFI adapter

Worldwide:
VU902AA

Processor/Chipset Intel Atom N280* 1.66 GHz/Intel GL40
**Intel's numbering is not a measurement of higher performance.*

Americas:
VU902AT
(Smart Buy)

Operating System Microsoft Windows Embedded Standard 2009

Flash Memory 2 GB

Memory 2 GB DDR-3 SODIMM (1 x 2 GB SODIMM)
NOTE: 64 MB minimum reserved for graphics memory.

Graphics Intel GL40 graphics

Integrated Wireless² Atheros 802.11 a/b/g/n Wi-Fi adapter

Browser Microsoft Internet Explorer 7

Client Management Software HP Device Manager agent
HP Client Automation agent
HP ThinState for image capture and redeploy

Keyboard USB or PS/2 (varies by region)

Mouse USB or PS/2 (varies by region)

¹Product complies with U.S. Trade Agreement (TAA). Available in U.S. only.

²A standard WLAN (Wi-Fi) infrastructure with wireless access points is required and is not included.

Options

	NOTE: Optional accessories are available as separate purchase.	Part Number
Accessories	HP t5740/t5745 Expansion Module ⁸	AZ551AA
	HP Quick Release Kit	EM870AA
	HP Integrated Work Center Stand	GN783AA
	HP/Kensington Cable Lock	PC766A
	65 Watt External Power Supply replacement	AZ552AA
Communications	HP Neoware NA USB Wireless Adapter ¹ (US and Canada: not certified for use in Latin America) (Asia/Pacific: Taiwan, Philippines) Security: WEP except 256-bit, WPA and WPA2 only	AK256AA
	HP Neoware EMEA USB Wireless Adapter ¹ (EMEA; not certified for use in Russia or Belarus) (Asia/Pacific: Australia, Hong Kong, Indonesia, Japan, Malaysia, New Zealand, Singapore) Security: WEP except 256-bit, WPA and WPA2 only	AK257AA
	Cisco Aironet 802.11a/b/g Wireless PCI Adapter ²	AIR-PI21AG-A-K9
	Allied Telesis PCIe x1 Fast Ethernet Fiber Network Interface Card ²	AT-2711FX
	Allied Telesis PCI-e x1 Gigabit Fiber Network Interface Card ²	AT-2972SX
Input Devices	HP PS/2 Standard Keyboard	DT527A
	HP USB Standard Keyboard	DT528A
	HP USB Smartcard Keyboard	ED707AA
	HP PS/2 2-Button Optical Mouse	EY703AA
	HP USB 2-Button Optical Scroll Mouse	DC172B
Monitors³	HP L5009tm Touchscreen Monitor	VK202AA
	ELO Touch 1529L Flat Panel - USB/serial combo ^{2,4}	E926109
	HP Digital Signage Display Wall Mount	EM894AA
Graphics	HP DisplayPort to DVI-D Adapter	FH973AA FH973AT
Storage	HP 16GB SATA II IDE Solid State Flash Drive (for secondary storage) ⁵	AZ550AA
	HP USB External CD/DVD R/RW Drive (read only support)	FS943AA FS934UT
	Apacer 4GB AH522 USB 2.0 Flash Drive ³	91.HDE2S.HP00C
	Apacer 8GB AH522 USB 2.0 Flash Drive ²	91.HDF2S.HP00C
Memory	1GB DDR3 SO-DIMM Memory Upgrade Kit (1 x 1 GB)	AZ548AA
	2GB DDR3 SO-DIMM memory Upgrade Kit (1 x 2 GB)	AZ549AA

Options

Security	HP USB Smartcard Keyboard	ED707AA
	HP USB CCID Smartcard Keyboard (BFR/PVC free)	BV813AA
	Gemalto PC USB-TR Card Reader ²	HWP117685
	Gemalto .NET v2+ Smart Card ²	HWP115303B HWP115647C
	SCM SCR331 USB Smart Card Reader ²	904054
	HP/Kensington Cable Lock	PC766A

Care Pack Services⁶	9x5 Next-Business-Day Advanced Exchange - 3 Years	331653-001; U4847E ⁷
	9x5 Next-Business-Day On-Site Coverage - 3 Years	331655-001; U4849E ⁷
	Hardware Installation	331686-001; UJ865E

¹ Wireless functionality is not supported for roaming environments. Thin client must be stationary for wireless device to properly function. A standard WLAN (Wi-Fi) infrastructure with wireless access points is required and is not included.

² Option, drivers, warranty, and support are available directly from third party.

³ Drivers must be installed. For a complete list of monitors compatible with HP thin clients, it is important to cross-reference the supported video resolutions of the HP thin client to the supported resolutions of the monitor. Most HP monitors have one or more supported resolutions that match HP thin client products.

⁴ Only serial is supported.

⁵ The 16GB SATA module should not be used with the HP PCIe/PCI Expansion Module. The secondary storage drive is not supported as a primary boot drive for the thin client OS image or in a hardware or software RAID configuration. Remote Management tools may manage content on the secondary storage drive, but cannot be used to install the thin client OS image onto this drive. Additional HP OS Image tools including but not limited to ThinState Capture, RAMDisk Manager, and the write filters will not function or support the secondary storage drive. Pagefiles are not supported in a primary or secondary drive environment.

⁶ Service levels and response times for HP Care Pack Services may vary depending on your geographic location. Restrictions and limitations apply. For details, visit: www.hp.com/go/carepack.

⁷ U4847E is available in all regions; U4849E is available in Latin America and Asia-Pacific/Japan.

⁸ The PCIe/PCI Expansion Module should not be used if the HP 16GB SATA module is installed.

Technical Specifications

Memory Configurations

Flash Memory	Memory Slot 1 (DDR-3)	Memory Slot 2 (DDR-3)
2 GB	1 GB	Empty
2 GB	2 GB	Empty
4 GB	2 GB	Empty

Processor	Intel Atom N280 1.66 GHz		
Memory	Flash Memory	Up to 4 GB (for boot drive)	
	System Memory	Up to 2 GB DDR-3 SODIMM in standard configurations (up to 8 GB supported) NOTE: 64 MB minimum reserved for graphics memory (Intel GL40 chipset dynamically allocates graphics memory)	
Graphics	Intel GL40 graphics with support for two high-resolution monitors up to 2048 x 1536, or up to 32 bit color depth*		
	Mode	Color depth	Refresh rate
	640 x 480	8/16/32bit	60, 70, 75, 85
	800 x 600	8/16/32bit	60, 75, 85
	1024 x 768	8/16/32bit	60, 70, 75, 85
	1280 x 720	8/16/32bit	60, 75, 85
	1280 x 768	8/16/32bit	60, 75, 85
	1280 x 1024	8/16/32bit	60, 75, 85
	1400 x 1050	8/16/32bit	60, 75, 85
	1440 x 900	8/16/32bit	60, 75, 85
	1600 x 1200	8/16/32bit	60, 75, 85
	1680 x 1050	8/16/32bit	60
	1920 x 1080	8/16/32bit	60, 75, 85
	1920 x 1200	8/16/32bit	60, 75
2048 x 1536	8/16/32bit	60	
NOTE: This table represents a sample of possible modes that this controller is capable of displaying but various factors such as the capability and EDID info returned by the attached monitor, the interface used (D-SUB/DisplayPort or optional DVI-D with dongle), and dual monitor mode may limit the availability of modes, color depth, and/or refresh rate.			
Input/Output/ Peripheral Support	Keyboard	USB or PS/2 (varies by region)	
	Mouse	USB or PS/2 (varies by region)	
	Printer	Local and/or network printers (RDP, ICA, LPD)	
	Video	Intel GL40 graphics	
Audio	Output	Internal amplified speaker, 1/8-inch mini, full 16-bit stereo, 44-kHz sample rate.	
	Input	1/8-inch mini microphone	
Hardware Security	Security lock slot (cable lock sold separately) Secure USB compartment with 2 USB 2.0 ports		
Networking	10/100/1000 Gigabit Ethernet (RJ-45)		

Technical Specifications

TCP/IP with DNS and DHCP

Point-to-Point Protocol (PPP), Direct Connection through RS-232, Point-to-Point over Ethernet (PPPoE), Point-to-Point Tunneling Protocol (PPTP), Layer-2 Tunneling Protocol (L2TP), Wake on LAN (WOL), PXE

Server Network Time Protocol (SNTP)

Simple Network Management Protocol (SNMP)

Wireless LAN (select models)

Adapter Atheros 802.11a/b/g/n WIFI Adapter

Form Factor PCI-Express Half Mini Card

Security Supports 64- and 128-bit WEP, WPA, WPA2, AES, TKIP, 802.1x authentication types EAP-TLS, EAP-TTLS, EAP-PEAP, EAP-FAST, LEAP
Support for Cisco Security Features (proven compatibility with Cisco Aironet infrastructure products through the Cisco Compatible Extensions Program Version 4).

I/O ports and connectors

Eight USB 2.0 ports (two in front, four in rear, two in secure USB compartment), 1 VGA, 1 DisplayPort, 2 PS/2, 1 serial, 1 RJ-45, and 1 optional Expansion Module with X4 PCI-EI or PCI slot, also including 1 parallel and second serial port

Server OS Compatibility/ Support

Citrix XenApp 5 and 6

Citrix XenDesktop 3 and 4

Citrix Presentation Server 4.0

Windows Server 2008 Terminal Services

Windows 2000/2003 Server families, Windows 2000/2003 Server Terminal Services

VMware Virtual Desktop Infrastructure using RDP

Software

Operating System Windows Embedded Standard 2009

Protocols Microsoft RDP 7.0

(Client Virtualization) Citrix ICA / HDX

VMware Horizon View through PCoIP or RDP

Protocol Clients Citrix Receiver 3/Online Plug-in 13

VMware Horizon View 4.6

HP TeemTalk Terminal Emulator 7

Browser supported Internet Explorer 8 (IE8)

Security Enhanced Write Filter and File-Based Write Filter

Symantec Endpoint Protection

LogOn Manager (password logon)

Session Brokers Citrix Desktop Delivery Controller enabled through web browser

VMware Horizon View 4.6

Available as download from hp.com:

HP Session Allocation Manager (SAM) 3.1

VMware Horizon View 5.0

Available from vendor's website:

Leostream Desktop Connection Broker

Provision Networks (Quest) broker

Management

HP Device Manager agent

HP ThinState for rapid deployment

HP Easy Tools GUI (avail as add-on) guides you through initial setup and configurations

Technical Specifications

	Additional components	Microsoft Windows Media Player v12.0 Microsoft .NET Framework 2.0 SP2, 3.0 SP2 & 3.5 SP1 HP Connection Manager (available as add-on)
		Other add-on software available (see: www.hp.com/support for latest list of available add-ons)
Languages (MUI)		English, French, German, Spanish, Dutch, Norwegian, Korean, Simplified Chinese, Traditional Chinese, and Japanese
Dimensions HxWxD (approximate)	Without stand	10.04 x 1.73 x 8.74 in (255 x 44 x 222 mm)
	With stand	10.39 x 1.73 x 8.74 in (266.7 x 44 x 222 mm)
	With Expansion Module	10.04 x 2.91 x 8.74 in (255 x 74 x 222 mm)
Weight (approximate)	With stand	3.48 lb (1.58 kg)
	With Expansion Module	4.14 lb (1.88 kg)
Power supply		Worldwide auto-sensing 100-240 VAC, 50-60 Hz energy-saving automatic power-down, surge-tolerant, ENERGY STAR® Star 2.0 qualified 65-watt power supply
Environmental	Temperature range	Operating: 50° to 104° F (10° to 40° C) Operating, using Quick Release with a flat panel monitor: 50° to 95° F (10° to 35° C) Operating, using PCI Expansion Unit: 50° to 104° F (10° to 40° C) Non-operating: -22° to 140° F (-30° to 60° C)
		NOTE: Specifications are at sea level with altitude derating of 1° C/300m (1.8° F/1000ft) to a maximum of 3 Km (10,000 ft), with no direct, sustained sunlight. Upper limit may be limited by the type and number of options installed.
		Humidity 20% to 80% condensing 10% to 90% non-condensing
		Regulatory Compliance Ergonomics German ZH1/618; EN29241-3, approved Safety UL 1950, CSA 950; TÜV-GS (EN60 950) approved RF Interference FCC Class B; CE Mark; EN55022B; VCCI
Warranty		Three-year limited hardware warranty. NOTE: Certain restrictions apply. Consult the HP Customer Support Center for details.
Emulations	Emulation	Terminal ID
	ADDS A2	
	AIXTerm	
	ANSI BBS	
	AT 386	
	ATT4410	
	HP 700-92/96	70092, 70094, 70096, 2392A, 2622A
	HZ1500	
	IBM3151	Mod11, Mod31
	IBM3270	3278-2 (24x80), 3278-3 (32x80), 3278-4 (43x80), 3278-5 (27x132), 3278-2-E (24x80), 3278-3-E (32x80), 3278-4-E (43x80), 3278-5-E (27x132), 3279-2 (24x80), 3279-3 (32x80), 3279-4 (43x80), 3279-5 (27x132), 3287-1
	IBM5250	5291-1, 5292-2, 5251-11, 3179-2, 3196-A1, 3180-2, 3477-FC (27x132), 3477-FG (24x80), 3486-BA, 3487-HA, 3487-HC, 3812-1

Technical Specifications

SCO Console

Stratus V102

TA6530

TVI910

TVI920

TVI925

TVI950

TVI955

VT52, VT100, VT100+,
VT500 (7- or 8-bit)

VT100, VT101, VT102, VT125, VT131, VT132, M2200, VT220, VT240, VT320,
VT340, VT420, VT510, VT520, VT525

VT HP220,
VT UTF8

VT100, VT101, VT102, VT125, VT220, VT240, VT320, VT340, VT420, VT131,
VT132, M2200, VT510, VT520, VT525

VT PCTerm

Wyse PCTerm

WY50

WY50+

WY60

Technical Specifications – Environmental Data

Eco-Label Certifications & declarations This product has received or is in the process of being certified to the following approvals and may be labeled with one or more of these marks:

- ENERGY STAR® Category B
- EPEAT® registered where applicable/supported, see www.epeat.net for registration status by country

Energy Consumption	115 VAC (60Hz)	230 VAC (50Hz)	100 VAC (60Hz)
Idle State:	10.70 W	10.80 W	10.80 W
Off Mode:	0.51 W	0.30 W	0.51 W

NOTE: This product is in compliance with US executive order 13221, WOL (wake on LAN) disabled. Off Mode measurements are made with WOL disabled.

NOTE: The actual power consumption at your location could vary and is dependent on many factors including but not limited to software load on the thin client, attached peripherals, and environmental factors.

Heat Dissipation*	115 VAC (60Hz)	230 VAC (50Hz)	100 VAC (60Hz)
Idle State:	36.51 BTU/hr	36.85 BTU/hr	36.85 BTU/hr
Off Mode:	2.05 BTU/hr	1.02 BTU/hr	1.74 BTU/hr

* Heat dissipation is calculated based on the measured watts, assuming the service level is attained for one hour.

Batteries This product complies with ISO standards:

- EU Directive 91/ 157/ EEC
- EU Directive 93/ 86/ EEC
- EU Directive 98/ 101/ EEC

Batteries used in the product do not contain:

- Mercury greater the 5ppm by weight
- Cadmium greater than 10ppm by weight
- Lead greater than 4000ppm by weight.

Battery size: CR2032 (coin cell)

Battery type: Lithium

Recycled material	Product	
		<ul style="list-style-type: none"> • This product contains 0% recycled materials (by weight). • This product is 95% (by weight) recyclable when disposed of properly at end of life.
	Packaging	<ul style="list-style-type: none"> • The EPE foam packaging material contains at least 5% (by weight) post-consumer recycled content. • The corrugated paper packaging materials contains at least 80% (by weight) post-consumer recycled content. • The packaging for this product is 100% (by weight) recyclable when disposed of properly.

Environment-friendly Products and Approach **RoHS Compliance** Hewlett-Packard is committed to compliance with all applicable environmental laws and regulations, including the European Union Restriction of Hazardous Substances (RoHS) Directive. HP's goal is to exceed compliance obligations by meeting the requirements of the RoHS Directive on a worldwide basis. By July 1, 2006, RoHS substances will be virtually eliminated (virtually =

Technical Specifications – Environmental Data

to levels below legal limits) for all HP electronic products subject to the RoHS Directive, except where it is widely recognized that there is no technically feasible alternative (as indicated by an exemption under the EU RoHS Directive).

Material Usage

This product does not contain any of the following substances in excess of regulatory limits (refer to the HP General Specification for the Environment at: http://www.hp.com/hpinfo/globalcitizenship/environment/supplychain/gen_specifications.html):

- Asbestos
- Certain Azo Colorants
- Certain Brominated Flame Retardants – may not be used as flame retardants in plastics
- Cadmium
- Chlorinated Hydrocarbons
- Chlorinated Paraffins
- Formaldehyde
- Halogenated Diphenyl Methanes
- Lead carbonates and sulfates
- Lead and Lead compounds
- Mercuric Oxide Batteries
- Nickel – finishes must not be used on the external surface designed to be frequently handled or carried by the user.
- Ozone Depleting Substances
- Polybrominated Biphenyls (PBBs)
- Polybrominated Biphenyl Ethers (PBBEs)
- Polybrominated Biphenyl Oxides (PBBOs)
- Polychlorinated Biphenyl (PCB)
- Polychlorinated Terphenyls (PCT)
- Polyvinyl Chloride (PVC) – except for wires and cables, and certain retail packaging has been voluntarily removed from most applications.
- Radioactive Substances
- Tributyl Tin (TBT), Triphenyl Tin (TPT), Tributyl Tin Oxide (TBTO)

Packaging

HP follows these guidelines to decrease the environmental impact of product packaging:

- Eliminate the use of heavy metals such as lead, chromium, mercury and cadmium in packaging materials.
- Eliminate the use of ozone-depleting substances (ODS) in packaging materials.
- Design packaging materials for ease of disassembly.
- Maximize the use of post-consumer recycled content materials in packaging materials.
- Use readily recyclable packaging materials such as paper and corrugated materials.
- Reduce size and weight of packages to improve transportation fuel efficiency.
- Plastic packaging materials are marked according to ISO 11469 and DIN 6120 standards.

End-of-life Management

Hewlett-Packard offers end-of-life HP product return and recycling programs

Technical Specifications – Environmental Data

and Recycling

in many geographic areas. To recycle your product, please go to: <http://www.hp.com/go/reuse-recycle> or contact your nearest HP sales office. Products returned to HP will be recycled, recovered or disposed of in a responsible manner.

The EU WEEE directive (2002/95/EC) requires manufacturers to provide treatment information for each product type for use by treatment facilities. This information (product disassembly instructions) is posted on the Hewlett Packard web site at: <http://www.hp.com/go/recyclers>. These instructions may be used by recyclers and other WEEE treatment facilities as well as HP OEM customers who integrate and re-sell HP equipment.

Hewlett-Packard Corporate Environmental Information

For more information about HP's commitment to the environment:

Global Citizenship Report

<http://www.hp.com/hpinfo/globalcitizenship/gcreport/index.html>

Eco-label certifications

<http://www.hp.com/hpinfo/globalcitizenship/environment/productdesign/ecolabels.html>

ISO 14001 certificates:

<http://www.hp.com/hpinfo/globalcitizenship/environment/operations/envmanagement.html>

© 2013 Hewlett-Packard Development Company, L.P. The information contained herein is subject to change without notice and is provided "as is" without warranty of any kind. The warranties for HP products and services are set forth in the express limited warranty statements accompanying such products and services. Nothing herein should be construed as constituting an additional warranty. HP shall not be liable for technical or editorial errors or omissions contained herein. Microsoft and Windows are trademarks of the Microsoft Group of Companies. ENERGY STAR is a registered mark owned by the U.S. government.